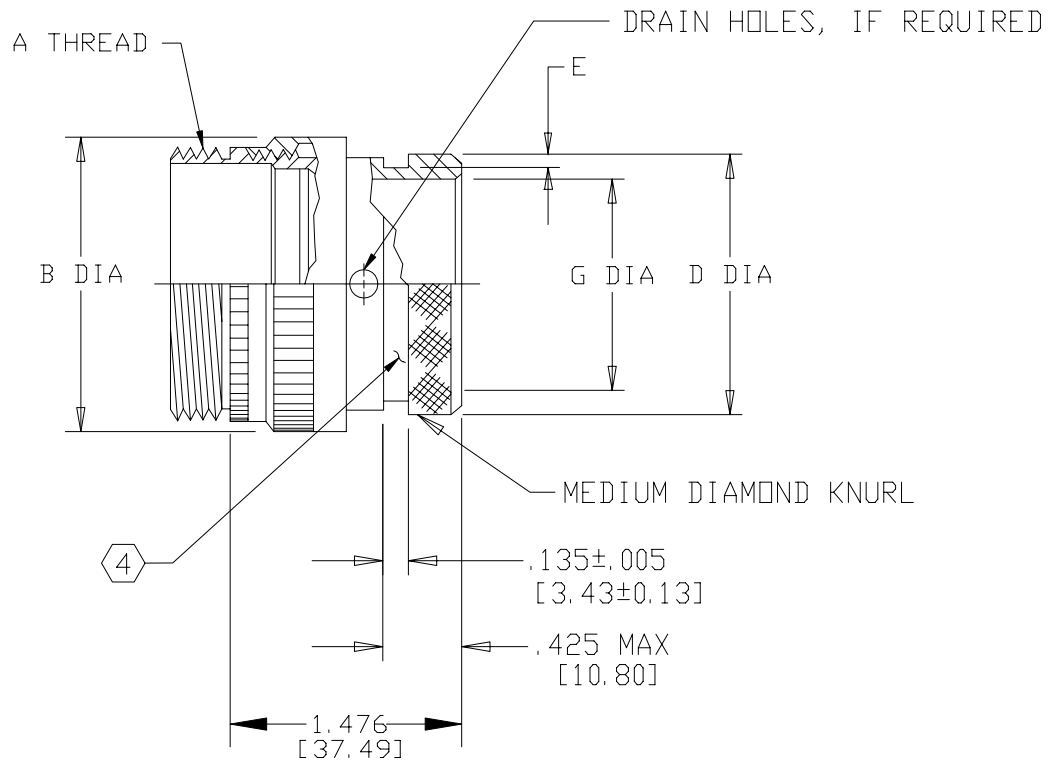


REVISIONS			
LTR	DESCRIPTION	DATE	APPROVED
A	REVISED PER ECN AD93032		



NOTES:

- THIS PRODUCT IS DESIGNED TO TERMINATE A HEAT SHRINKABLE LIPPED BOOT TO A CONNECTOR.
- FOR ADDITIONAL DIMENSIONS, ORDERING INFORMATION AND MODIFICATIONS, SEE CH00-0250-004.
- ADAPTER TO BE PERMANENTLY MARKED WITH CODE IDENT. NO. AND PART NO. (E.G.: 06090-202M912-19A).
- KNURL INSIDE BOOT GROOVE MAY BE SUPPLIED AT MANUFACTURER'S OPTION.
- ADAPTER MATES TO DEUTSCH DM, DS, DMS, DSM, MDS, DD, RTK & STK CONNECTORS.

If this document is printed it becomes uncontrolled.  
Check for the latest revision.

SPECIFICATION CONTROL DRAWING

UNLESS OTHERWISE SPECIFIED DIMENSIONS ARE IN INCHES. METRIC DIMENSIONS ARE IN BRACKETS.  DECIMALS .XXX ± — [ mm] .XX ± — [ mm] .X ± — [ mm]  ANGLES .X ± —	DRAWN G. ROSITANO	DATE 07-26-93		Tyco Electronics Corporation 300 Constitution Drive Menlo Park, CA. 94025 U.S.A.	
	CHECKED	DATE			
	APPROVED	DATE	TITLE  ADAPTER, SPIN COUPLING CODE 71		
	APPROVED	DATE			
CAD NAME \ACAD12\202M9XX		SIZE A	CODE IDENT. NO. 06090	DWG. NO. 202M9XX	REV A
THIRD ANGLE PROJECTION		Downloaded From		SHEET 1 OF 2	

BASE PART NUMBER	SHELL SIZE ⑤		A R. H. THREAD CLASS 2A	B +.000 -.045 [+0.00] [-0.15] DIA	D +.000 -.020 [+0.00] [-0.50] DIA	E +.008 -.000 [+0.20] [-0.00]	G +.010 -.020 [+0.26] [-0.50] DIA
	DM ECT	RTK STK					
202M903	3	10	.500-28 UNEF	.617 [15.67]	.533 [13.54]	.044 [1.12]	.270 [6.86]
202M907	7		.625-24 UNEF	.734 [18.64]	.605 [15.37]	.044 [1.12]	.375 [9.52]
202M912	12	14	.750-20 UNEF	.858 [21.79]	.774 [19.66]	.044 [1.12]	.511 [12.98]
202M919	19	16	.875-20 UNEF	.984 [24.99]	.838 [21.29]	.044 [1.12]	.585 [14.86]
202M927	27	18	1.000-20 UNEF	1.112 [28.24]	.963 [24.46]	.044 [1.12]	.710 [18.03]
202M937	37		1.188-18 UNEF	1.345 [34.17]	1.217 [30.91]	.069 [1.75]	.914 [23.22]
202M961	61		1.500-18 UNEF	1.653 [41.99]	1.529 [38.84]	.069 [1.75]	1.194 [30.33]

If this document is printed it becomes uncontrolled.  
Check for the latest revision.

SIZE	CODE	IDENT. NO.	DWG. NO.	REV
A		06090	202M9XX	A

单击下面可查看定价，库存，交付和生命周期等信息

[>>TE Connectivity\(泰科\)](#)