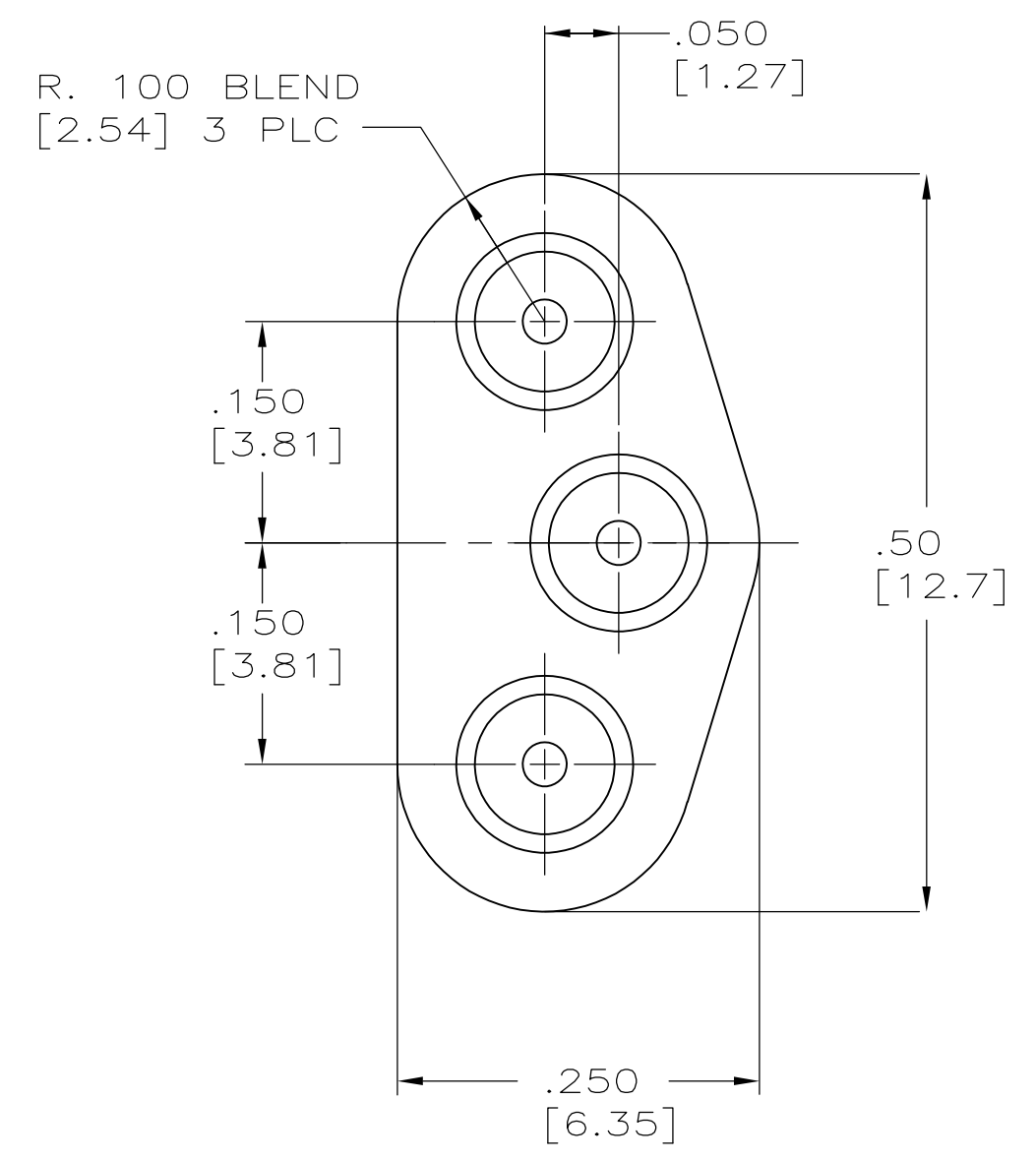
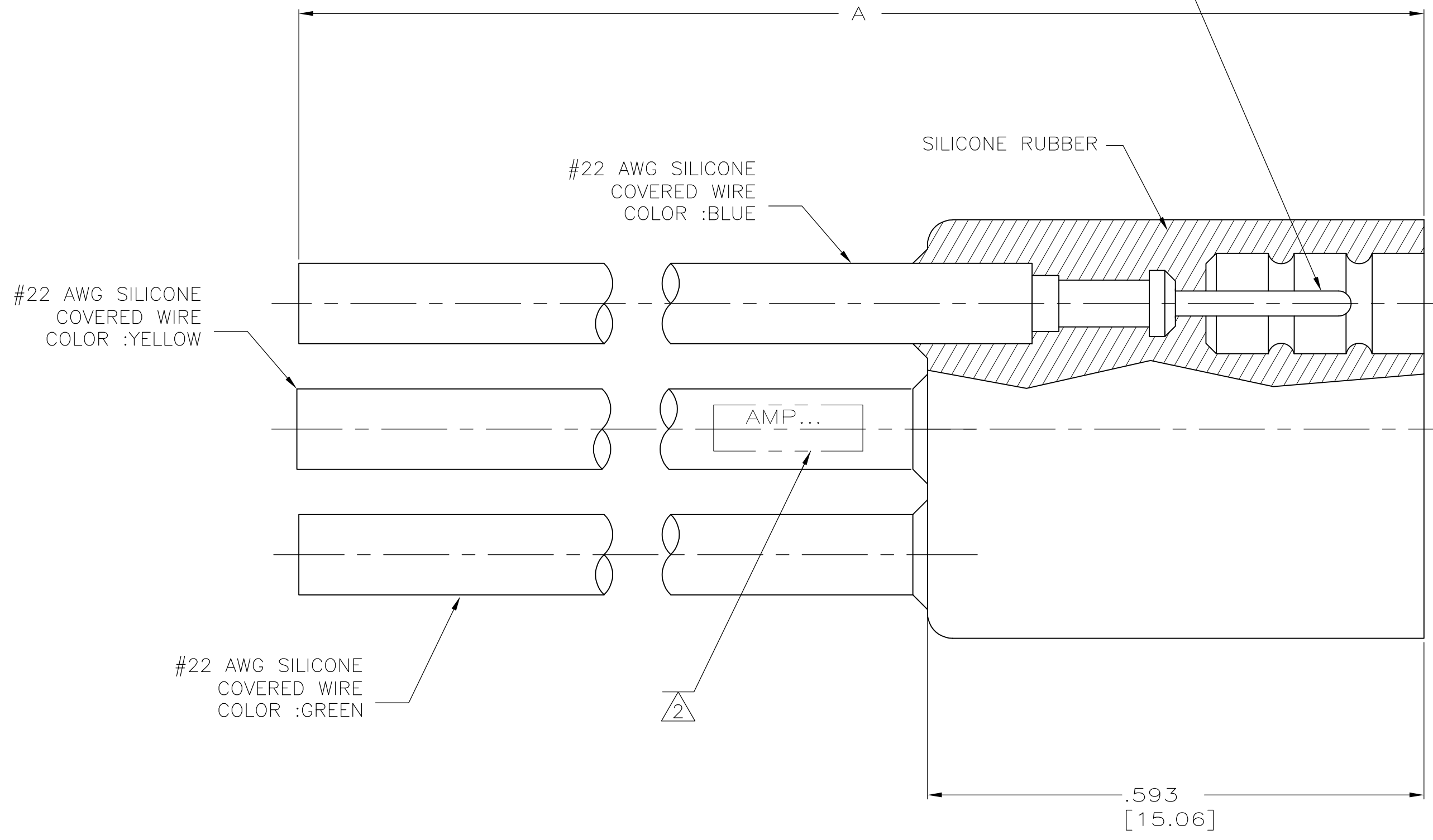


THIS DRAWING IS UNPUBLISHED. RELEASED FOR PUBLICATION
 © COPYRIGHT - By - ALL RIGHTS RESERVED.

LOC		DIST		REVISIONS			
P	LTR	DESCRIPTION		DATE	DWN	APVD	
	J	REV PER ECO 0H14-0083-04		3-04	CT	DE	

PIN CONTACT
 MAT'L: BRONZE PER ASTM-B-140
 FINISH: GOLD PLATE PER MIL-G-45204
 OVER NICKEL PER QQ-N-290



- 1 TOLERANCE: UP TO 24.00 [609.6] = ±.12 [±3.0]
24.00 [609.6] & UP = ±1%
- 2 MARKED PER MIL-STD-130 IN APPROX. AREA SHOWN.

OBSOLETE	72.00 [1828.8]	862425-6
OBSOLETE	16.00 [406.4]	862425-5
	48.00 [1219.2]	862425-4
	24.00 [609.6]	862425-3
	18.00 [457.2]	862425-2
	12.00 [304.8]	862425-1
	DIM A 1	PART NO

THIS DRAWING IS A CONTROLLED DOCUMENT.		DWN	C.C.THOMAS	1-29-99
DIMENSIONS: INCHES [mm]		CHK	D.EABY	1-29-99
TOLERANCES UNLESS OTHERWISE SPECIFIED:		APVD	D.EABY	1-29-99
0 PLC ± -		PRODUCT SPEC	NAME	
1 PLC ± -		APPLICATION SPEC	RCPT, LGH, 3 POSN, MICRO-MIN	
2 PLC ± .01 [0.3]		WEIGHT	SIZE	CAGE CODE
3 PLC ± .005 [0.13]			A2	00779
4 PLC ± -			DRAWING NO	RESTRICTED TO
ANGLES ± -			C=862425	
FINISH		CUSTOMER DRAWING	SCALE	SHEET
SEE CALLOUTS			8:1	1 of 1
			REV	J

单击下面可查看定价，库存，交付和生命周期等信息

[>>TE Connectivity\(泰科\)](#)