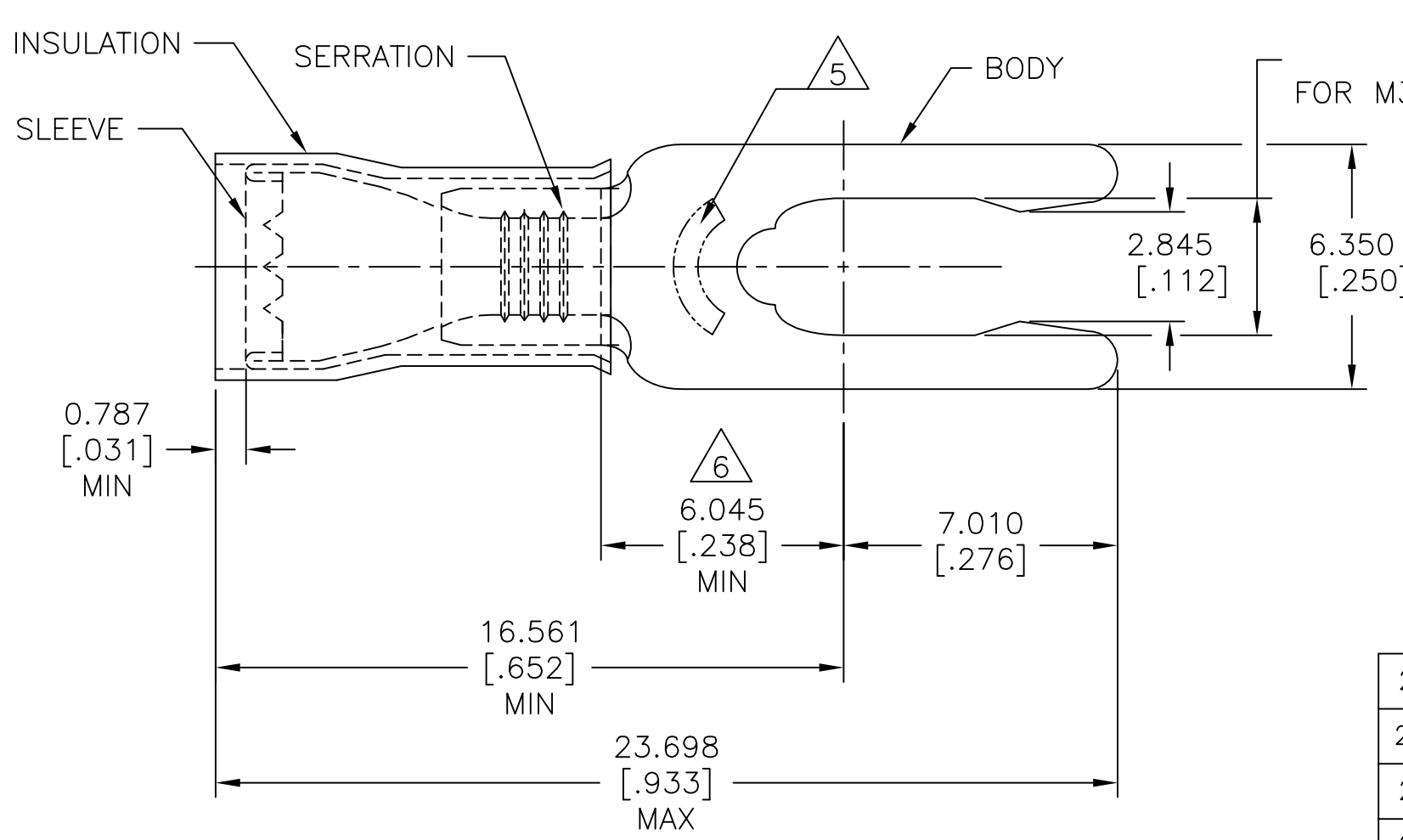


REVISIONS					
P	LTR	DESCRIPTION	DATE	DWN	APVD
	G2	REVISED PER ECO-11-004917	11MAR11	RK	HMR
	G3	REVISED PER ECO-17-007400	28NOV2017	RS	DR

AMP WIRE RANGE	Listed FILE E13288	LR7189 Certified
16-14 AWG SOLID OR STRANDED	16-14 AWG SOLID OR STRANDED	16-14 AWG SOLID OR STRANDED

- 1 WIRE INSULATION DIA, SEE TABLE "A"
- 2 BODY MATL THK, 0.787±0.051[.031±.002].
- 3 MATERIAL:
BODY: PHOS BRONZE PER ASTM B103
INSULATION: NYLON
SLEEVE: COPPER PER ASTM B152
- 4 FINISH:
BODY: TIN PLATE PER ASTM B545
SLEEVE: TIN PLATE PER ASTM B545
INSULATION: COLOR-BLUE.
- 5 STAMP 6S AMP 16-14* APPROX AS SHOWN.
- 6 APPLIES FROM EDGE OF METAL WIRE BARREL TO CENTER OF STUD HOLE.



DIM "A"	QTY	PACKAGE TYPE	PART NO
2.921-4.318[.115-.170]	5000	ON TAPE	52420-3
2.667-3.810[.105-.150]	5000	ON TAPE	52420-2
2.921-4.318[.115-.170]	1000	LOOSE PIECE	52420-1
2.667-3.810[.105-.150]	1000	LOOSE PIECE	52420

AMP INCORPORATED
CUSTOMER SERVICE SYSTEMS

FOR ADDITIONAL PRODUCT INFORMATION OR COPIES OF DRAWINGS AND TECHNICAL DOCUMENTS
 PRODUCT INFORMATION CENTER
 1-800-522-6752

FOR APPLICATION TOOLING INFORMATION
 TOOLING ASSISTANCE CENTER
 1-800-722-1111

FOR ORDER ENTRY
 1-800-526-5142

MAX RECOMMENDED OPERATING TEMPERATURE:
 105°C [221°F]

VOLTAGE RATING:
 300 V MAX

CIRCULAR MIL AREA:
 1.04-2.62mm² [2,050-5,180]
 SOLID OR STRANDED

THIS DRAWING IS A CONTROLLED DOCUMENT.

DIMENSIONS:
 mm [INCHES]

TOLERANCES UNLESS OTHERWISE SPECIFIED:

0 PLC	± -
1 PLC	± -
2 PLC	± -
3 PLC	± 0.127[.005]
4 PLC ANGLES	± - ±5°

MATERIAL

FINISH

DWN jr_ruth 28JUN10
 CHK TOM MICHIELUTTI 14MAY10
 APVD TOM MICHIELUTTI 14MAY10
 PRODUCT SPEC
 UL 486 A-B
 APPLICATION SPEC
 114-2157
 WEIGHT -

STE TE Connectivity

NAME: TERMINAL, PIDG, SPRING SPADE, WIRE SIZE: 16-14 AWG

SIZE	CAGE CODE	DRAWING NO	RESTRICTED TO
A3	00779	C=52420	-

CUSTOMER DRAWING SCALE 6:1 SHEET 1 OF 1 REV G3

单击下面可查看定价，库存，交付和生命周期等信息

[>>TE Connectivity\(泰科\)](#)