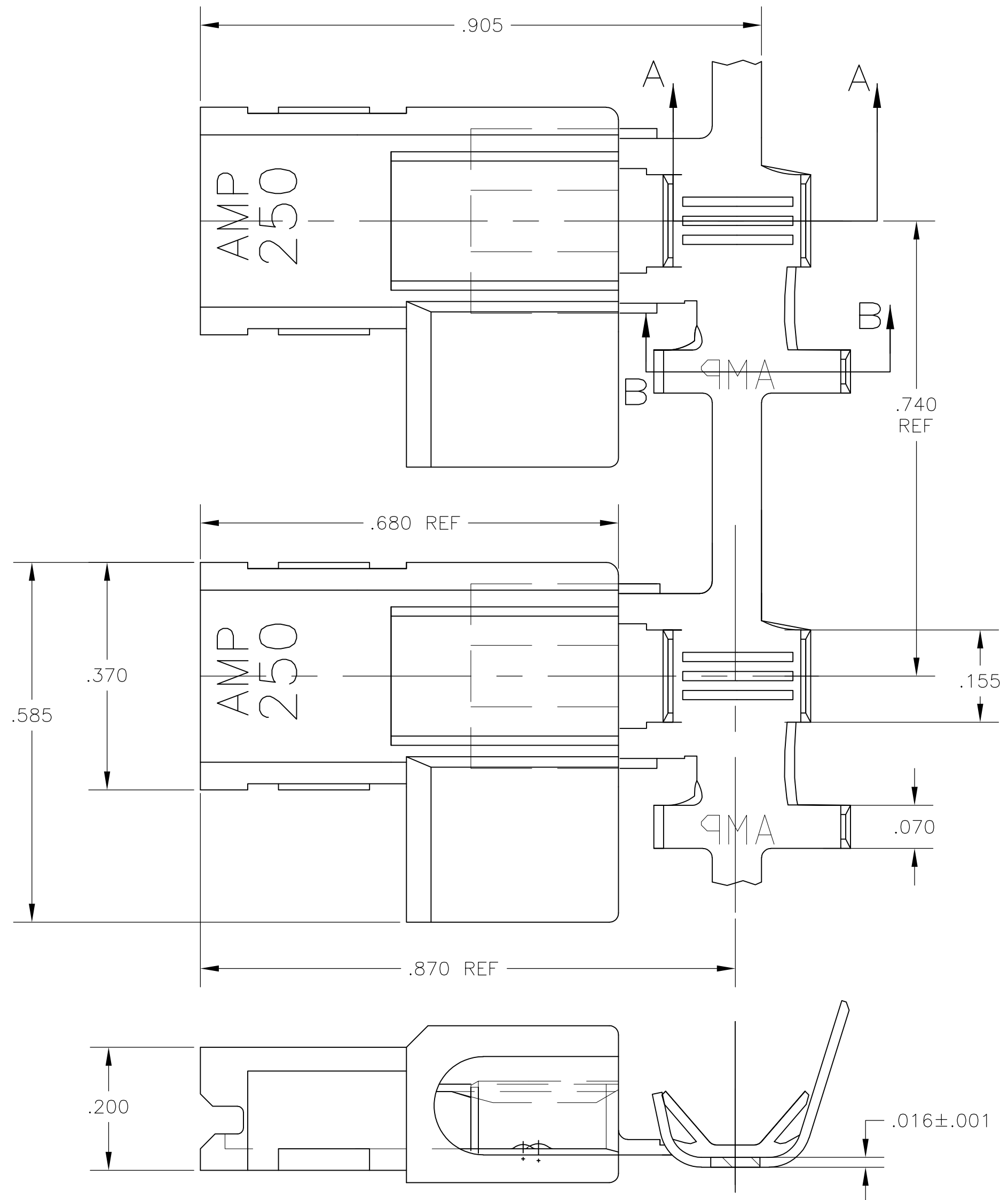
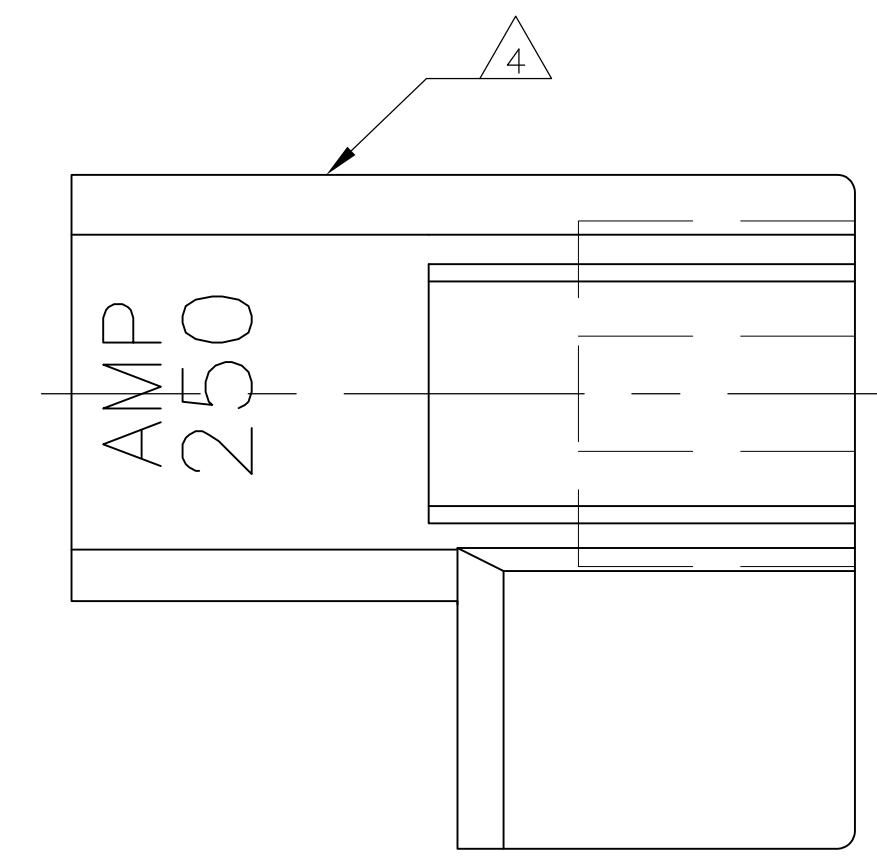
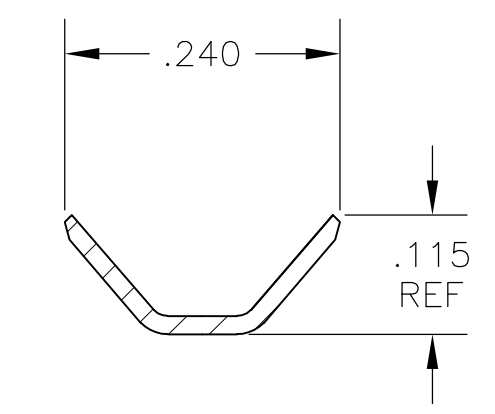
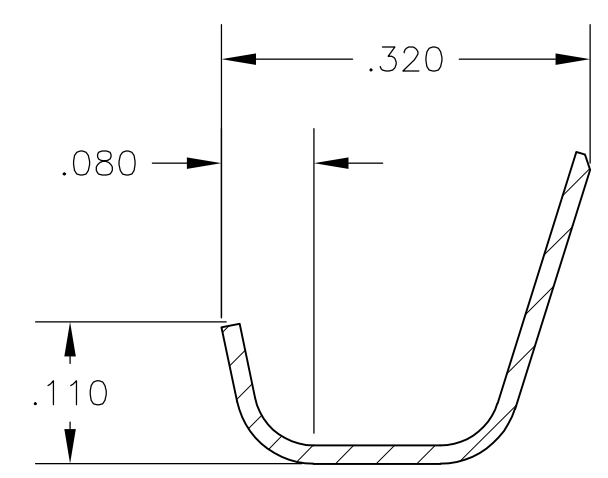


THIS DRAWING IS UNPUBLISHED. RELEASED FOR PUBLICATION
 © COPYRIGHT BY TYCO ELECTRONICS CORPORATION. ALL RIGHTS RESERVED.

LOC	DIST	REVISIONS			
P	LTR	DESCRIPTION	DATE	DWN	APVD
AF	50	G2	REVISED PER ECR-10-005376	11MAR10	JR GP



- 2 INSULATION RANGE TO BE .110-.160 OR TWO AT .110 MAX DIA.
- 3 WIRE SIZE IS [#18-#14 OR TWO #20'S OR TWO #18'S].
- △ ALTERNATE HOUSING FORM
- 5 FITS .250x.032 THICK FASTON TAB.



6/6 NYLON, VO / NATURAL	BRASS / TIN PLATED	521633-2
6/6 NYLON, VO / NATURAL	BRASS / PLAIN	521633-1
HOUSING MATERIAL / COLOR	TERMINAL MATERIAL / FINISH	PART NO
THIS DRAWING IS A CONTROLLED DOCUMENT.		DWN JR RUTH 08MAY03
DIMENSIONS: INCHES		CHK J HUMMEL 08MAY03
TOLERANCES UNLESS OTHERWISE SPECIFIED:		APVD J HUMMEL 08MAY03
0 PLC ± -		NAME Tyco Electronics Corporation Harrisburg, Pa 17105-3608
1 PLC ± -		
2 PLC ± -		
3 PLC ± .010		
4 PLC ± -		PRODUCT SPEC 108-1285
ANGLES ± -		APPLICATION SPEC 114-2124
FINISH SEE TABLE		WEIGHT -
MATERIAL SEE TABLE		SIZE A2 CAGE CODE 00779 DRAWING NO C=521633 RESTRICTED TO -
CUSTOMER DRAWING		SCALE 6:1 SHEET 1 OF 1 REV G2

单击下面可查看定价，库存，交付和生命周期等信息

[>>TE Connectivity\(泰科\)](#)