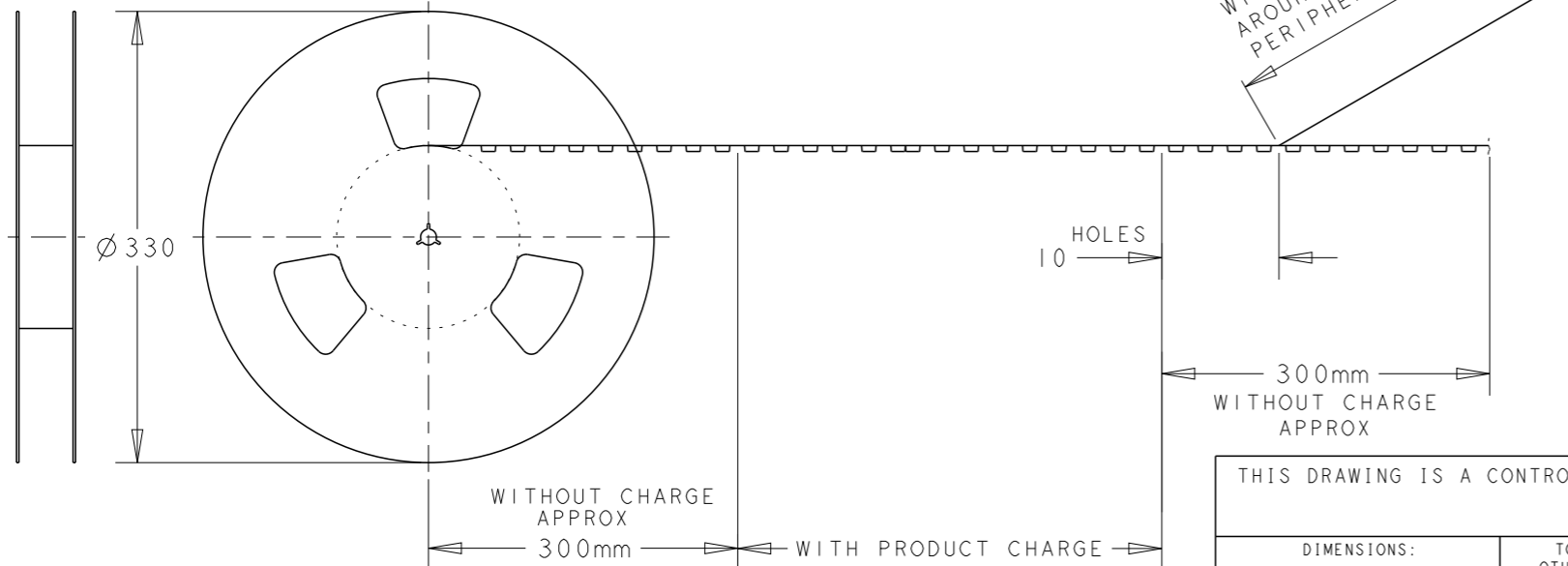
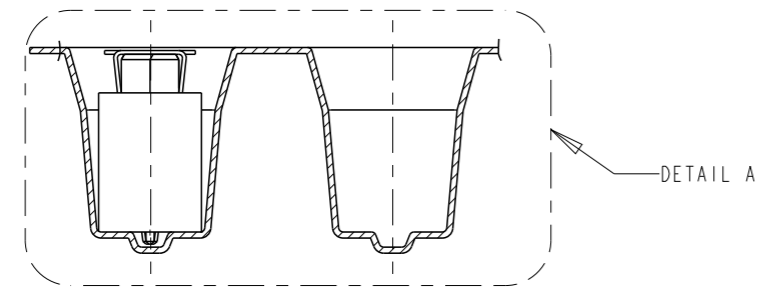
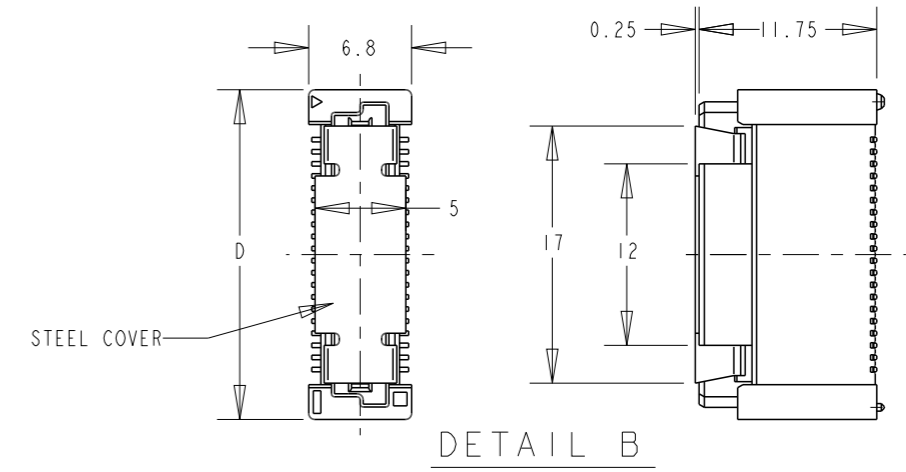
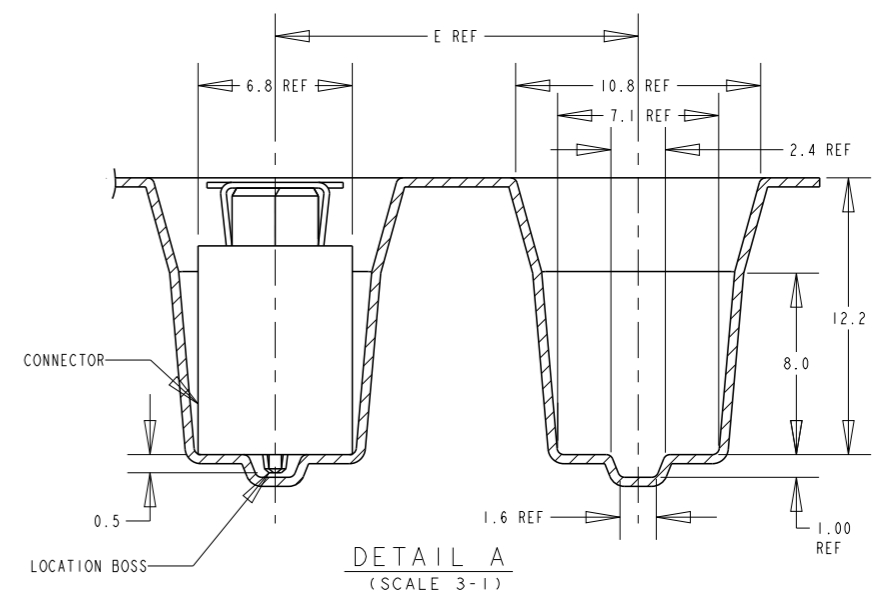
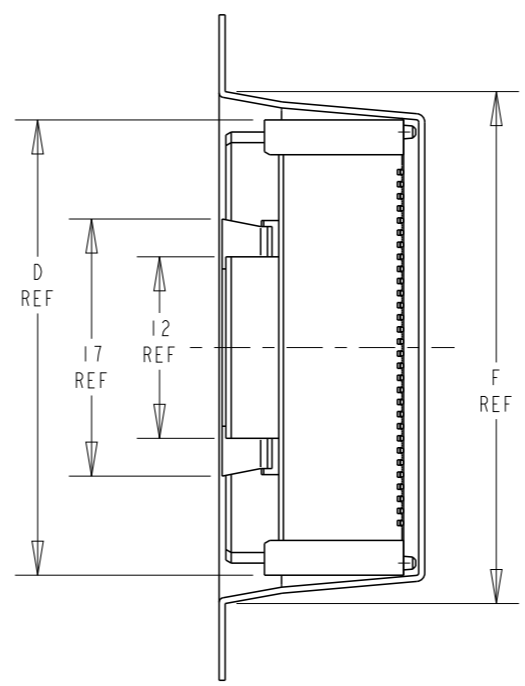
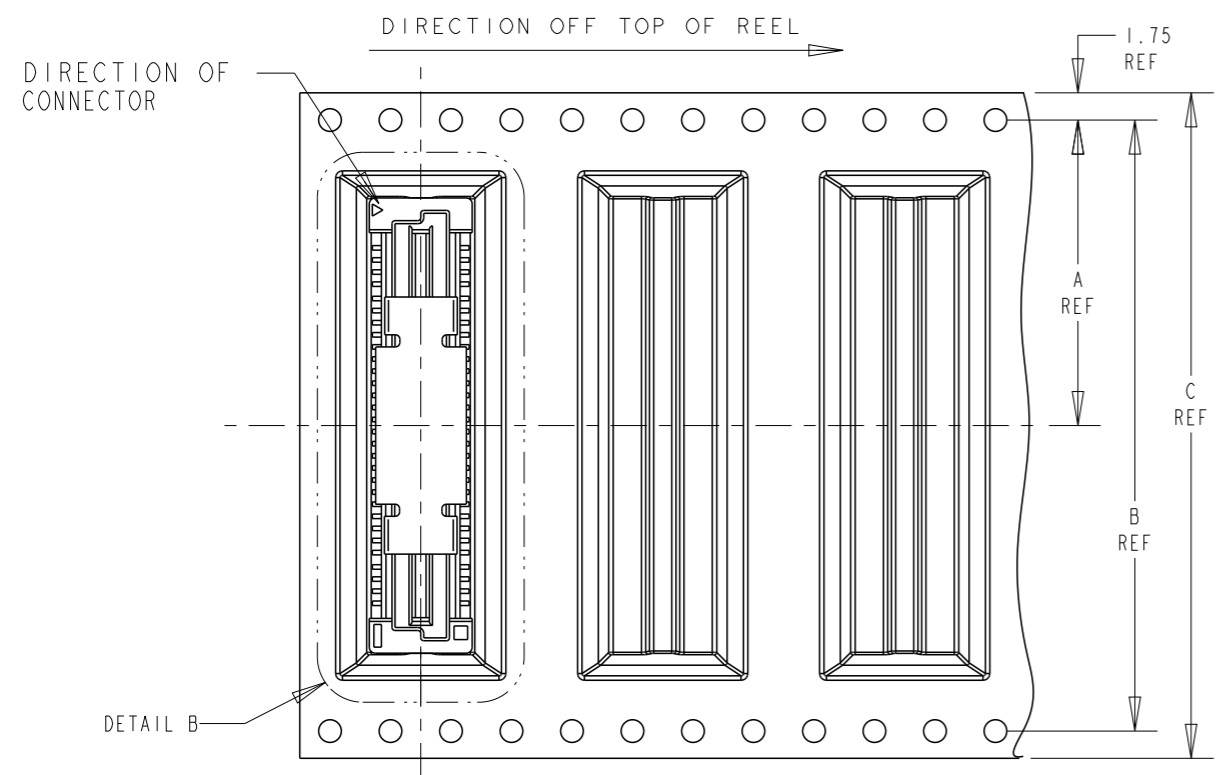


THIS DRAWING IS UNPUBLISHED. RELEASED FOR PUBLICATION 20
 © COPYRIGHT 20 BY - ALL RIGHTS RESERVED.

REVISIONS					
P	LTR	DESCRIPTION	DATE	DWN	APVD
	A2	ECO-20-003392: REMOVE PREFIX 0	10MAR2020	A.L	H.L



REMARKS	QTY	F	E	D	C	B	A	POS	PART NO.
AVAILABLE	200	81.8	16	77.8	104	100.4	50.2	180	5084618-9
	200	73.8	16	69.8	88	84.4	42.2	160	5084618-8
	200	65.8	16	61.8	88	84.4	42.2	140	5084618-6
	200	57.8	16	53.8	72	68.4	34.2	120	5084618-5
	200	49.8	16	45.8	72	68.4	34.2	100	5084618-4
	200	41.8	16	37.8	56	52.4	26.2	80	5084618-3
	200	33.8	16	29.8	44	40.4	20.2	60	5084618-2
	200	25.8	16	21.8	44	40.4	20.2	40	5084618-1

THIS DRAWING IS A CONTROLLED DOCUMENT.	
DIMENSIONS: mm	TOLERANCES UNLESS OTHERWISE SPECIFIED:
	0 PLC ±-
	1 PLC ±0.20
	2 PLC ±0.25
	3 PLC ±-
	4 PLC ANGLES ±2°
MATERIAL material_2	FINISH finish_spec_2

DWN FLORENCE TAN 16SEP04
 CHK ERIC TNG
 APVD SE LEONG
 PRODUCT SPEC 108-5390
 APPLICATION SPEC 114-5254
 WEIGHT -

STE TE Connectivity

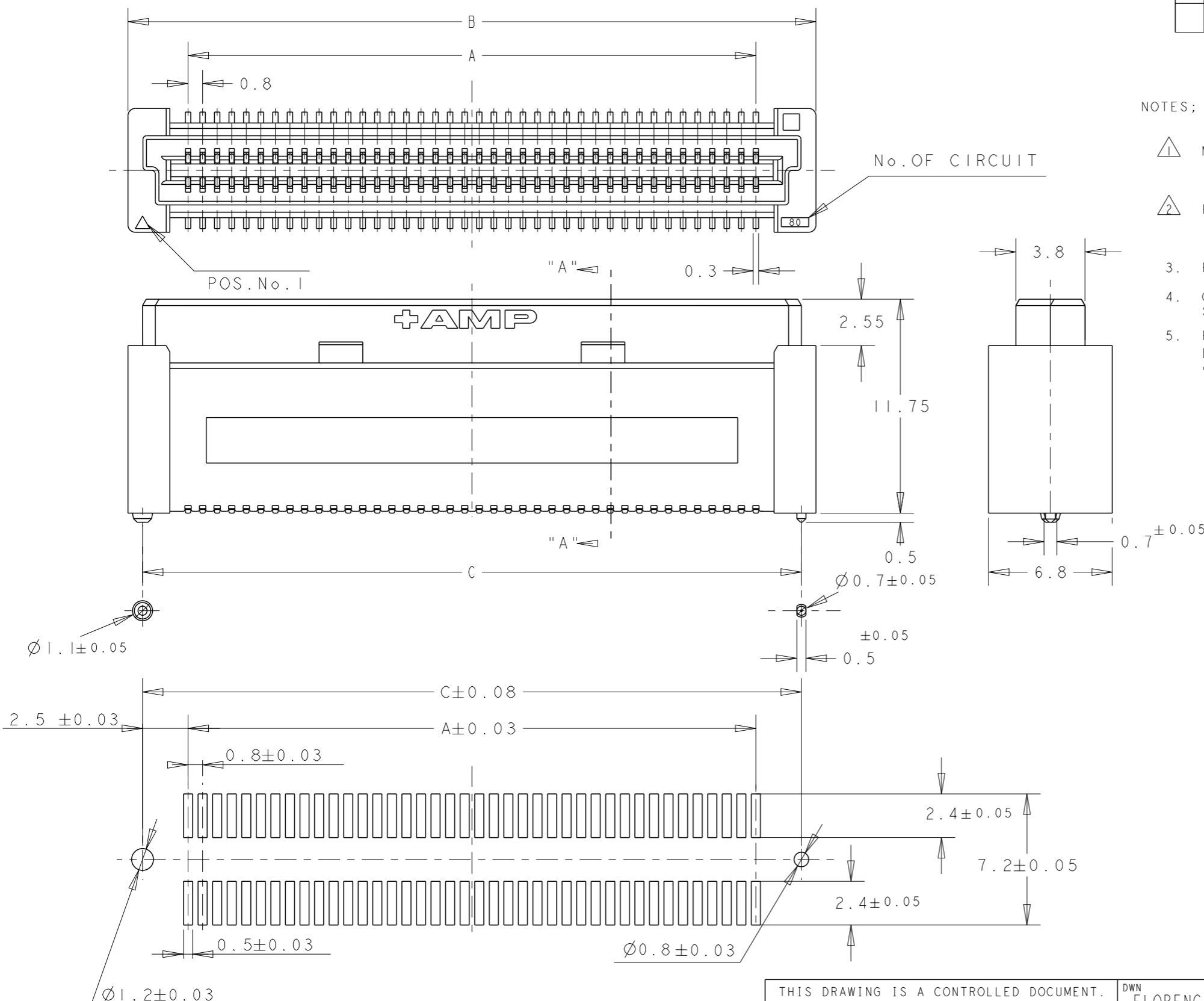
NAME: RECEPTACLE ASS'Y 13H TYPE 30Au (0.5 BOSS LENGTH) FOR FH 0.8mm B-T-B CONN. ON TAPING

SIZE	CAGE CODE	DRAWING NO	RESTRICTED TO
A3	00779	C-5084618	-

CUSTOMER DRAWING SCALE 2:1 SHEET 1 OF 2 REV A2

THIS DRAWING IS UNPUBLISHED. RELEASED FOR PUBLICATION 20
 © COPYRIGHT 20 BY - ALL RIGHTS RESERVED.

REVISIONS				
P	LTR	DESCRIPTION	DATE	APVD
		see sheet 1		



NOTES:

- 1. MATERIAL: HOUSING: L.C.P. (HIGH TEMP. THERMOPLASTIC)
UL 94V-0, NATURAL.
CONTACT: BERYLIUM COPPER.
- 2. FINISH: CONTACT AREA: 0.00076 MIN GOLD ON
0.0013 MIN ALL OVER NICKEL.
SOLDERING AREA: 0.002 MIN MATTE-TIN
- 3. POSITION SERIES: SEE TABLE. (SHEET 2)
- 4. CONN STACK HEIGHT COMBINE OF PLUG "Y" H VS REC "X" H.
STACK HEIGHT = Y + X - 5
- 5. FOR STEEL COVER PICK AND PLACE VERSION,
DESCRIPTION PRINTING ON TUBE IS:
"REC ASS'Y (H=13mm), W/ STEEL COVER,
0.8mm BTB STACKING CONN"

76.20	77.80	71.20	180	5084618-9
68.20	69.80	63.20	160	5084618-8
60.20	61.80	55.20	140	5084618-6
52.20	53.80	47.20	120	5084618-5
44.20	45.80	39.20	100	5084618-4
36.20	37.80	31.20	80	5084618-3
28.20	29.80	23.20	60	5084618-2
20.20	21.80	15.20	40	5084618-1
C	B	A	POS.	PART No.

RECOMMENDED P.C. BOARD LAYOUT

(A) ADD CONNECTOR INFORMATION SHEET

THIS DRAWING IS A CONTROLLED DOCUMENT.

DIMENSIONS:		TOLERANCES UNLESS OTHERWISE SPECIFIED:	
mm			
	0 PLC	±	
	1 PLC	±0.20	
	2 PLC	±0.25	
	3 PLC	±	
	4 PLC	±	
	ANGLES	±2°	
MATERIAL	FINISH		
material_2	finish_spec_2		

DWN	16SEP04
FLORENCE TAN	
CHK	
ERIC TNG	
APVD	
SE LEONG	
PRODUCT SPEC	
108-5390	
APPLICATION SPEC	
114-5254	
WEIGHT	
CUSTOMER DRAWING	

STE TE Connectivity			
NAME RECEPTACLE ASS'Y 13H TYPE 30Au (0.5 BOSS LENGTH) FOR FH 0.8mm B-T-B CONN. ON TAPING			
SIZE	CAGE CODE	DRAWING NO	RESTRICTED TO
A3	00779	C=5084618	-
SCALE		SHEET	REV
2:1		2 OF 2	A2

单击下面可查看定价，库存，交付和生命周期等信息

[>>TE Connectivity\(泰科\)](#)