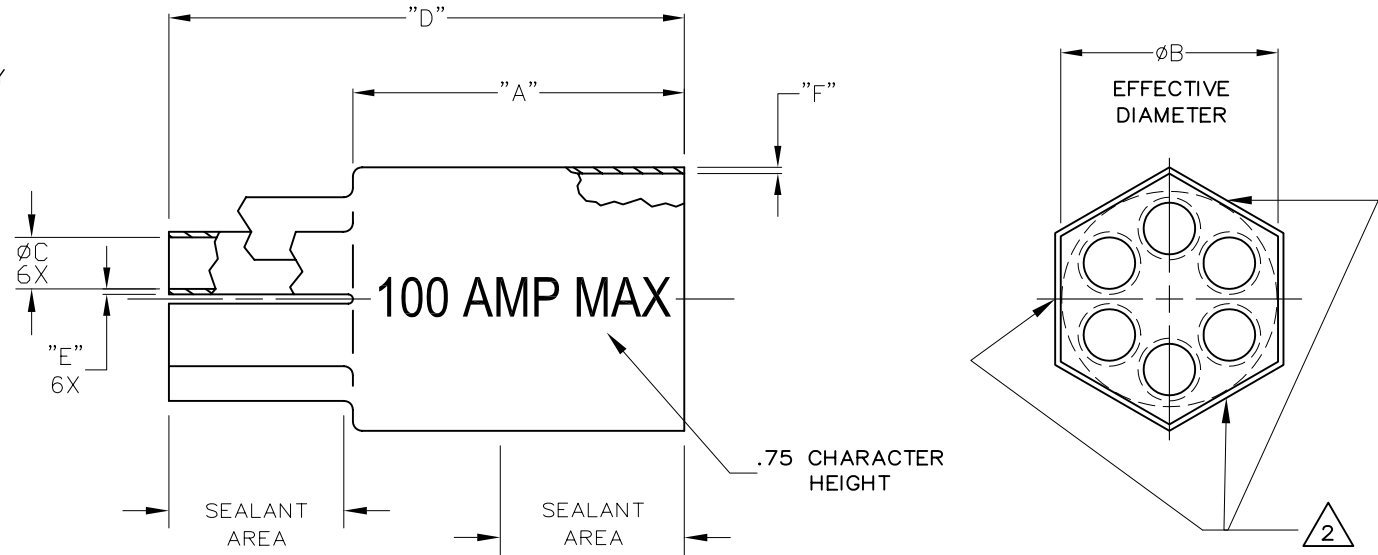


NOTES

1. MATERIAL: HEAT SHRINKABLE BOOT MATERIAL IN ACCORDANCE WITH NEMOSYNE FR/M. THIS INCLUDES INTERNAL COATING OF FACTORY APPLIED NON-SETTING SEALANT. BOOTS ARE AVAILABLE WITHOUT SEALANT ON SPECIAL ORDER.

2. PART IS TO BE MARKED ON 3 SIDES AS INDICATED WITH "100 AMP MAX" IN M-149 SP ORANGE OFFSET INK; MATTHEWS INTERNATIONAL CORP. PART NUMBER 10006-94L-05.



If this document is printed it becomes uncontrolled. Check for the latest revision

PART DESCRIPTION	"A"		ØB		ØC		"D"		"E"	"F"
	MIN EXP	MAX REC	MIN EXP	MAX REC	MIN EXP	MAX REC	MIN EXP	MAX REC	MAX REC	MAX REC
6S100-200-FR-01	3.09 [78,49]	3.57 [90,68]	2.40 [60,96]	1.45 [36,83]	.80 [20,32]	.35 [7,62]	5.22 [132,59]	6.62 [168,15]	.10 [2,54]	.15 [3,81]

REVISIONS		
LTR	DESCRIPTION	DATE
1	PRELIMINARY	04/09/2008

**PRELIMINARY**

UNLESS OTHERWISE SPECIFIED DIMENSIONS ARE INCHES. METRIC DIMENSIONS ARE IN BRACKETS.	DRAWN	DATE
	UNGUYEN	04/09/2008
DECIMAL TOLERANCES .XXX ± 0.005 [0.13 mm] .XX ± 0.01 [0.25 mm] .X ± 0.1 [0.50 mm]	RPN	
	455173N002	
ANGLE TOLERANCE .X ± 1 DEG.	THIRD ANGLE PROJECTION	

**CUSTOMER DRAWING**

**Tyco Electronics**  
Raychem Molded Parts  
305 Constitution Dr  
Menlo Park, CA 94025

**TITLE**  
6-LEG STRAIGHT BOOT FOR AGGREKO

SIZE	CODE IDENT. NO.	DWG. NO.
B	06090	6S100-200-FR-01

© 2008 Tyco Electronics Corporation. All rights reserved. DD NOT SCALE THIS DRAWING SHEET 1 OF 1

单击下面可查看定价，库存，交付和生命周期等信息

[>>TE Connectivity\(泰科\)](#)