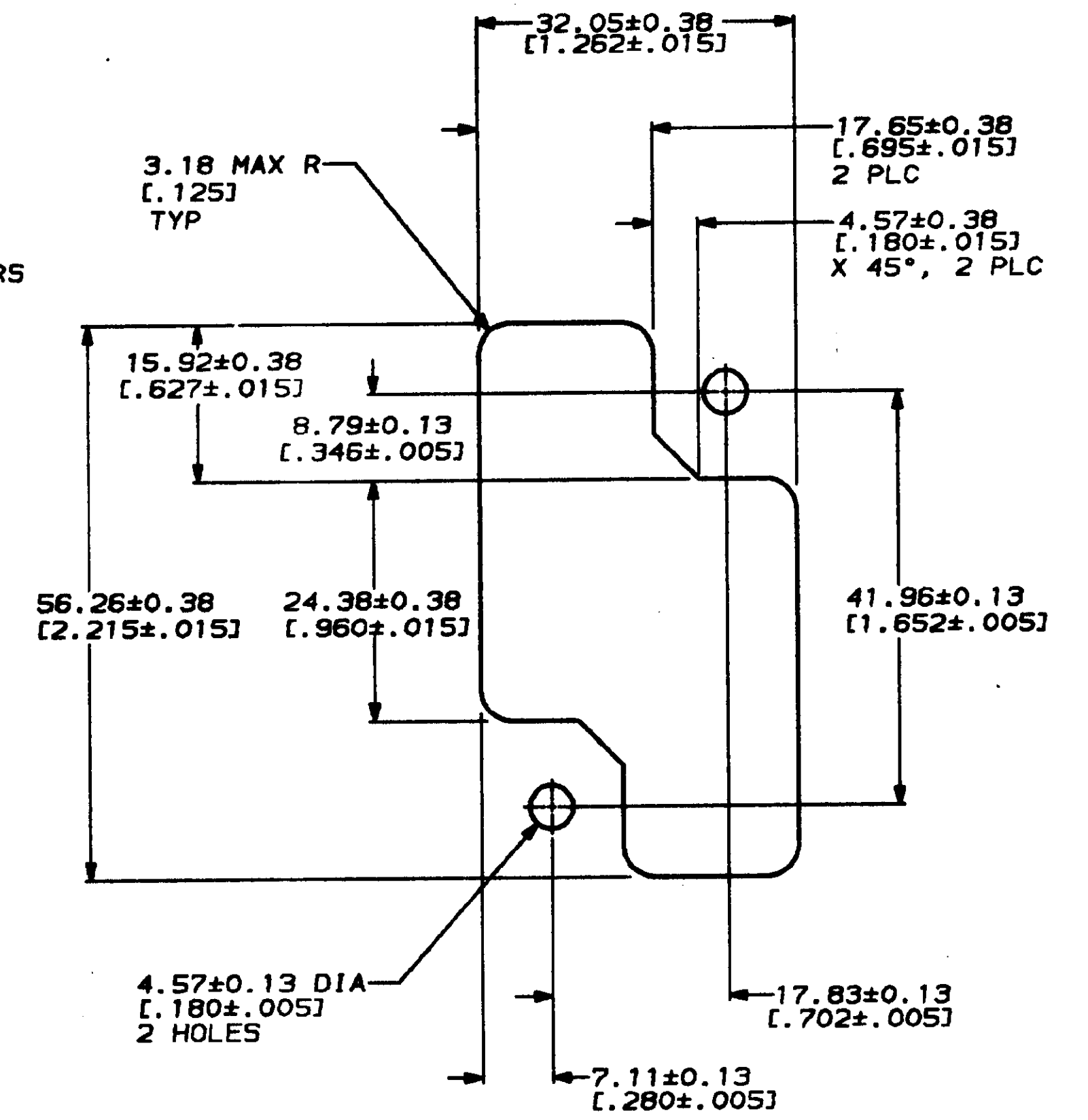
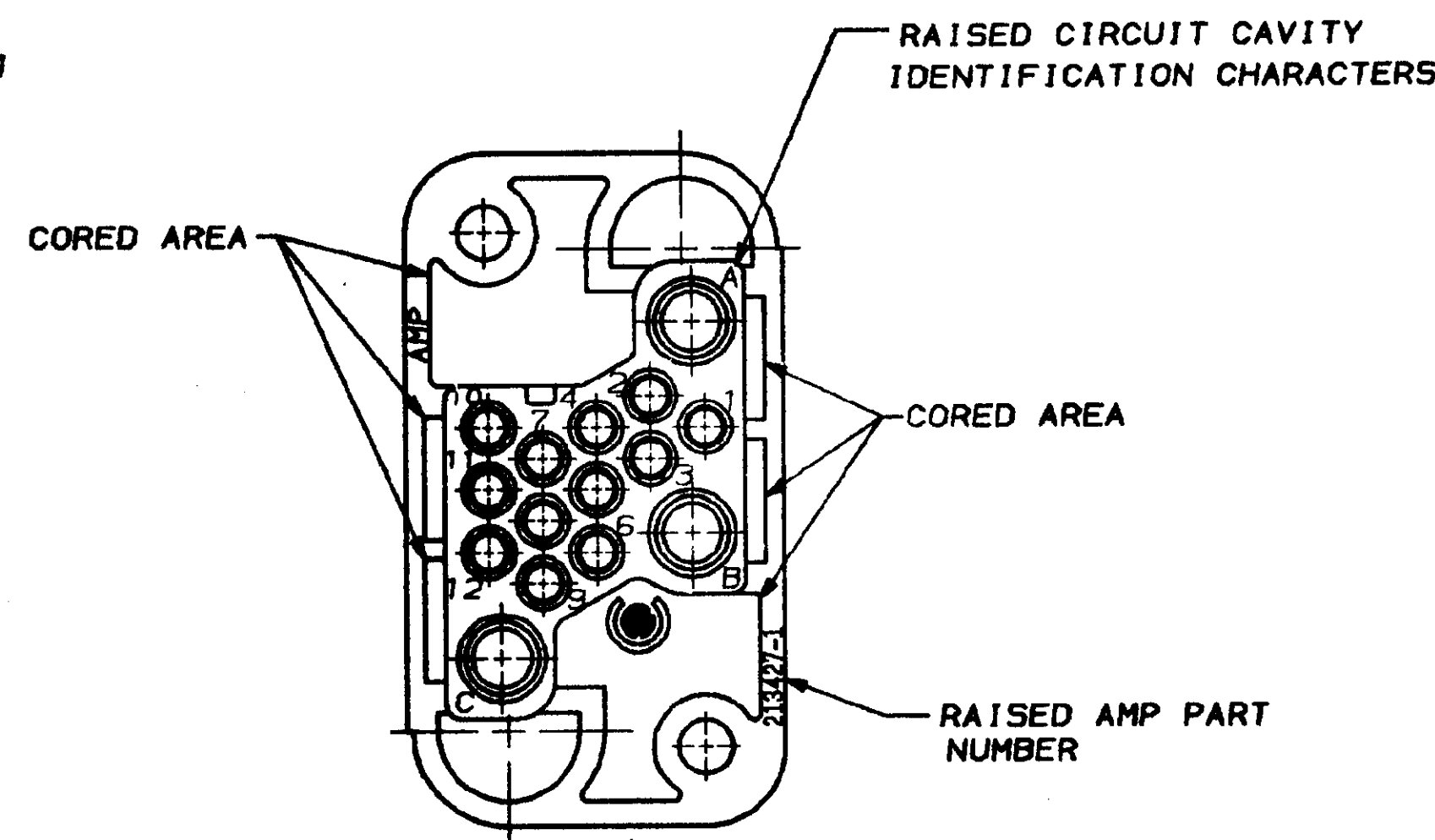
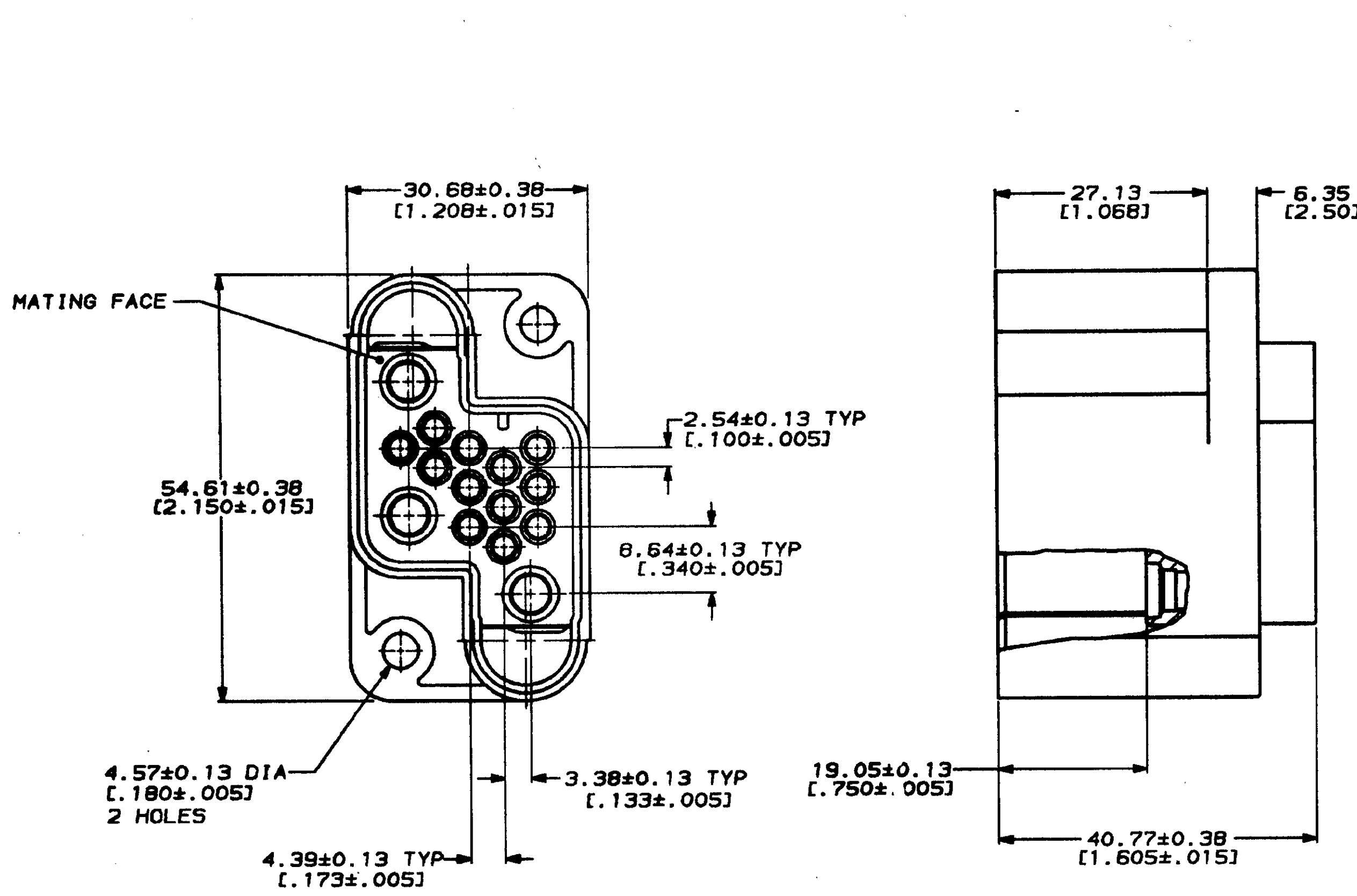


NO		LAC		DTST		REVISIONS	
1	BD	39					
ZONE	LTR	DESCRIPTION				DATE	APPD
		REL PER NPR 2092, W/S 87-5019-51				10-28-87	MG
		REV PER ECN S4434				2-23-88	MG
		REV PER ECN BD3182 & BD3273				8-22-88	AB
		REV ECN BD4792 & BD5024				04/28/91	P.T.



RECOMMENDED PANEL CUTOUT

1. THIS RECEPTACLE HOUSING MATES WITH PLUG HOUSING PART NUMBER 213426-1.
2. THIS HOUSING ACCEPTS (3) POWER SIZE 8 OR COAXIAL SIZE 8 PIN CONTACTS AND (12) TYPE II SIZE 16, TYP III+ SIZE 16, TYPE VI SIZE 16, TYPE X SIZE 16, SUBMINIATURE COAXICON OR OPTIMATE FIBER OPTIC PIN CONTACTS.
3. DIMENSIONS IN BRACKETS ARE IN INCHES.

DO NOT SCALE PRINT. UNLESS SPECIFIED DIMENSIONS ARE IN MM. TOLERANCES ON: 2 PLC DEC ± 0.25(.010) 3 PLC DEC ± .		DR D ERDMAN 10-28-88		213427-1 PART NO	
MATERIAL POLYESTER, GLASS FIBER REINFORCED, FLAME RETARDED, BLACK		CHK LARRY G LAWVER 10-28-88		AMP AMP INCORPORATED	
FINISH		APPD MICHAEL D GALLOWAY 10-29-88		NAME HOUSING, RECEPTACLE, DRAWER CONNECTOR, 15 POSITION, METRIMATE	
APPLICATION SPEC		PRODUCT SPEC		SIZE D 00779 DRAWING NO 213427	
WEIGHT		SCALE 2:1		SHEET 1 OF 1	



单击下面可查看定价，库存，交付和生命周期等信息

[>>TE Connectivity\(泰科\)](#)