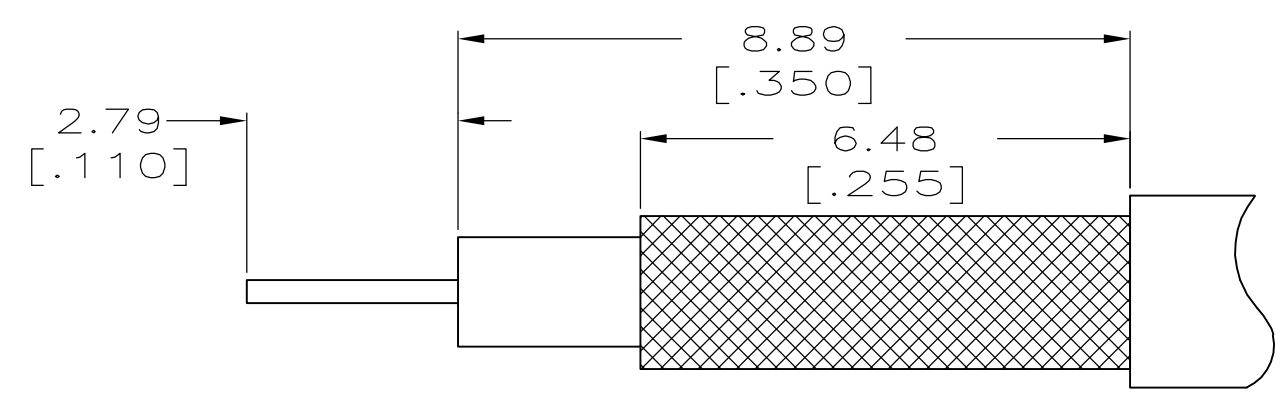
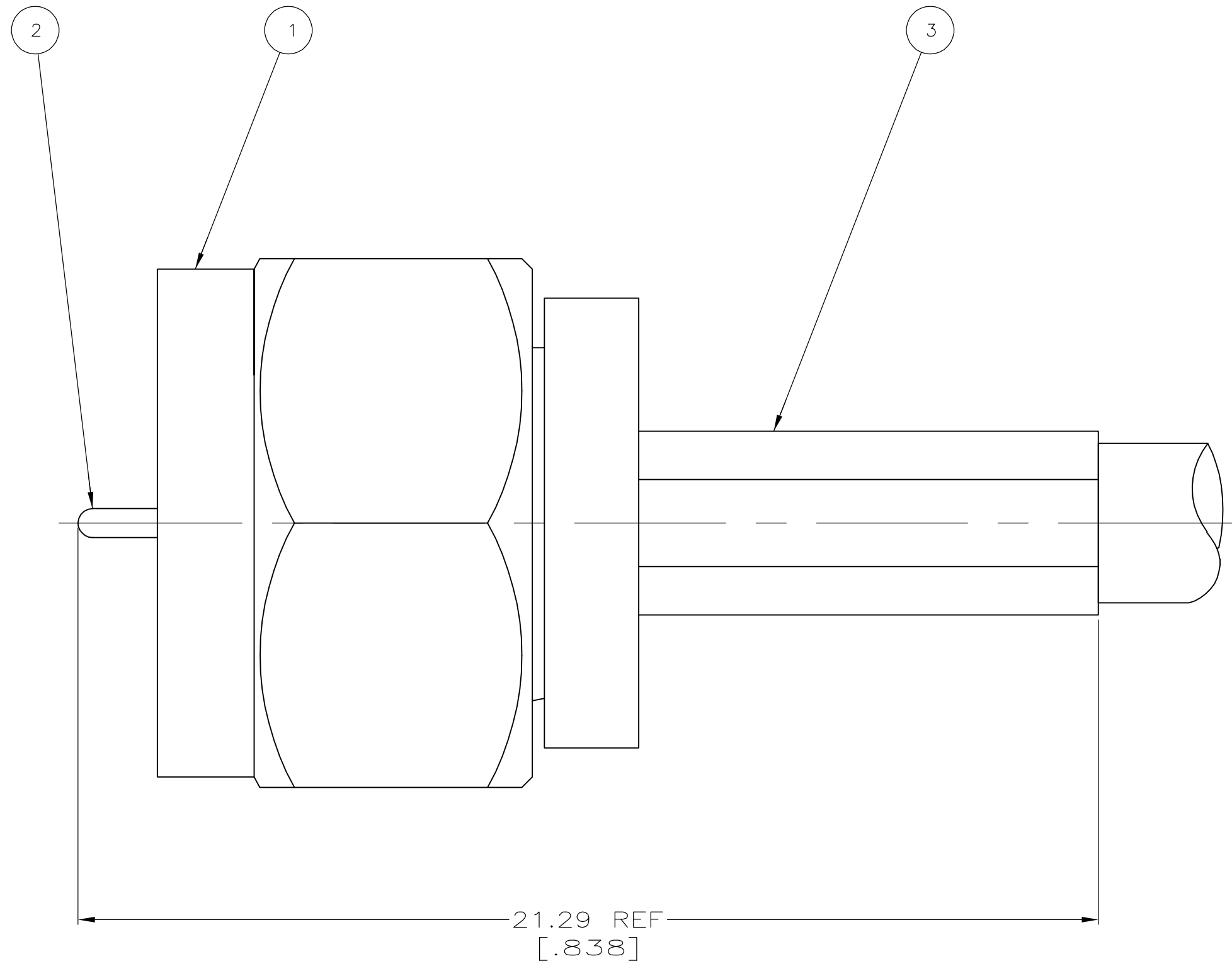


THIS DRAWING IS UNPUBLISHED. RELEASED FOR PUBLICATION
 © COPYRIGHT BY TYCO ELECTRONICS CORPORATION. ALL RIGHTS RESERVED.

LOC	DIST	REVISIONS			
P	LTR	DESCRIPTION	DATE	DWN	APVD
AF	49	0	REV PER EC-0S14-0496-04	01FEB2005	GA KW

1 FOR USE WITH RG-179 COAXIAL CABLE.
 2 TERMINATION TOOLING:
 BRAID: M 22520/5-01 WITH DANIELS DIE SET HX4-1637(.128 HEX).
 CONTACT: M 22520/2-01 WITH DANIELS POSITIONER K727, POS. 2.



RECOMMENDED STRIP LENGTH

9-413889-0	9-415416-0	9-415411-0	5415226-1
3 FERRULE QTY=1	2 CONTACT QTY=1	1 PLUG ASSY QTY=1	PART NUMBER

THIS DRAWING IS A CONTROLLED DOCUMENT.

DIMENSIONS: mm [INCHES]	TOLERANCES UNLESS OTHERWISE SPECIFIED: 0 PLC ± - 1 PLC ± - 2 PLC ± 0.3[.010] 3 PLC ± - 4 PLC ± - ANGLES ± - FINISH	DWN G. ATTADIA - DOCK5 CHK J. HAVENER APVD K. WEIDNER PRODUCT SPEC APPLICATION SPEC	01FEB2005 01FEB2005 01FEB2005	tyco Electronics	Tyco Electronics Corporation Harrisburg, PA 17105-3608
MATERIAL SEE NOTES	FINISH SEE NOTES	WEIGHT -	SIZE A2 CAGE CODE 00779 DRAWING NO C=5415226	RESTRICTED TO -	SCALE 10:1 SHEET 1 OF 1 REV 0

CUSTOMER DRAWING

5415226

单击下面可查看定价，库存，交付和生命周期等信息

[>>TE Connectivity\(泰科\)](#)