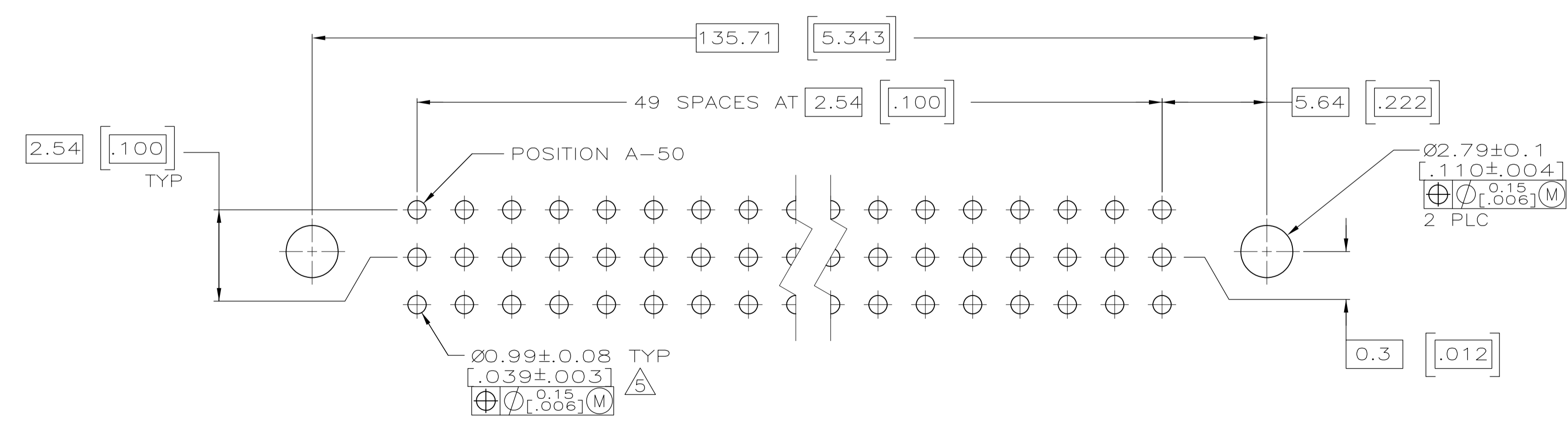
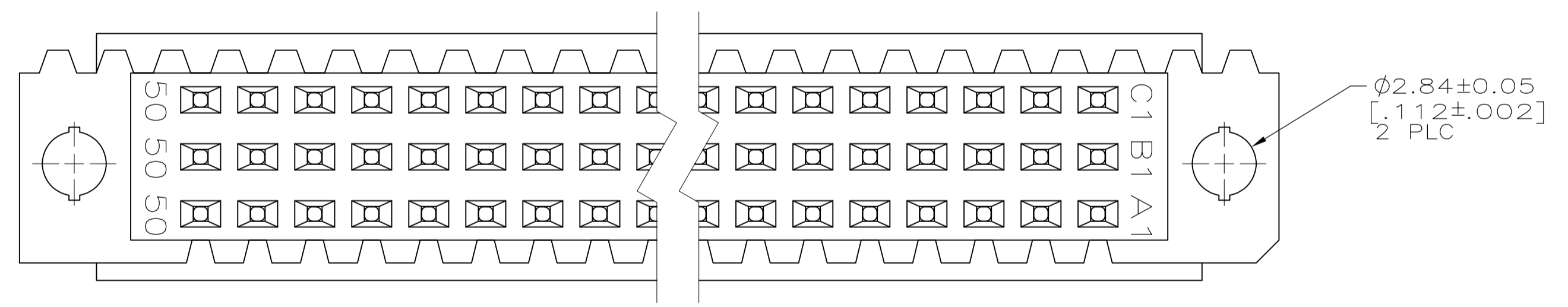
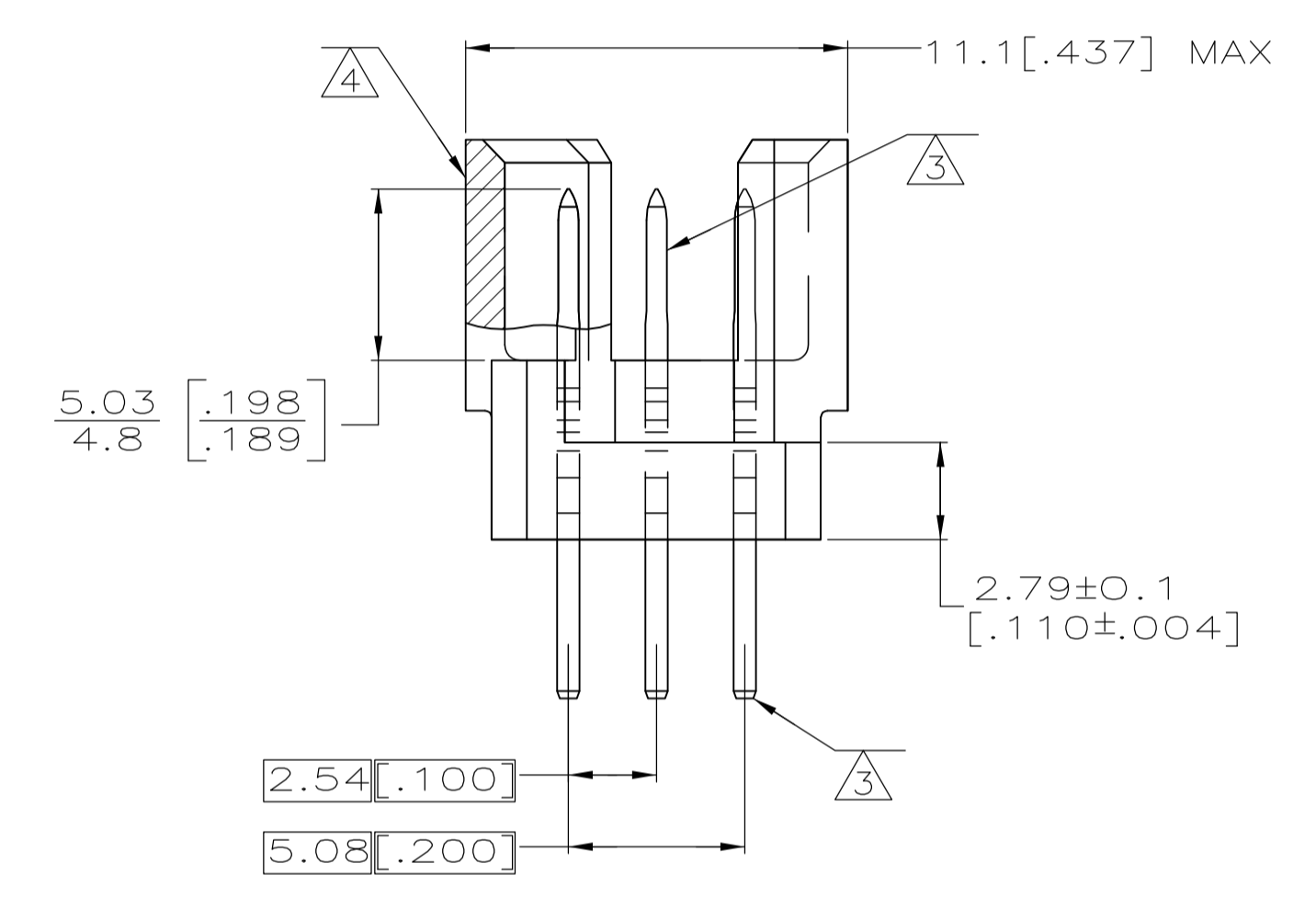
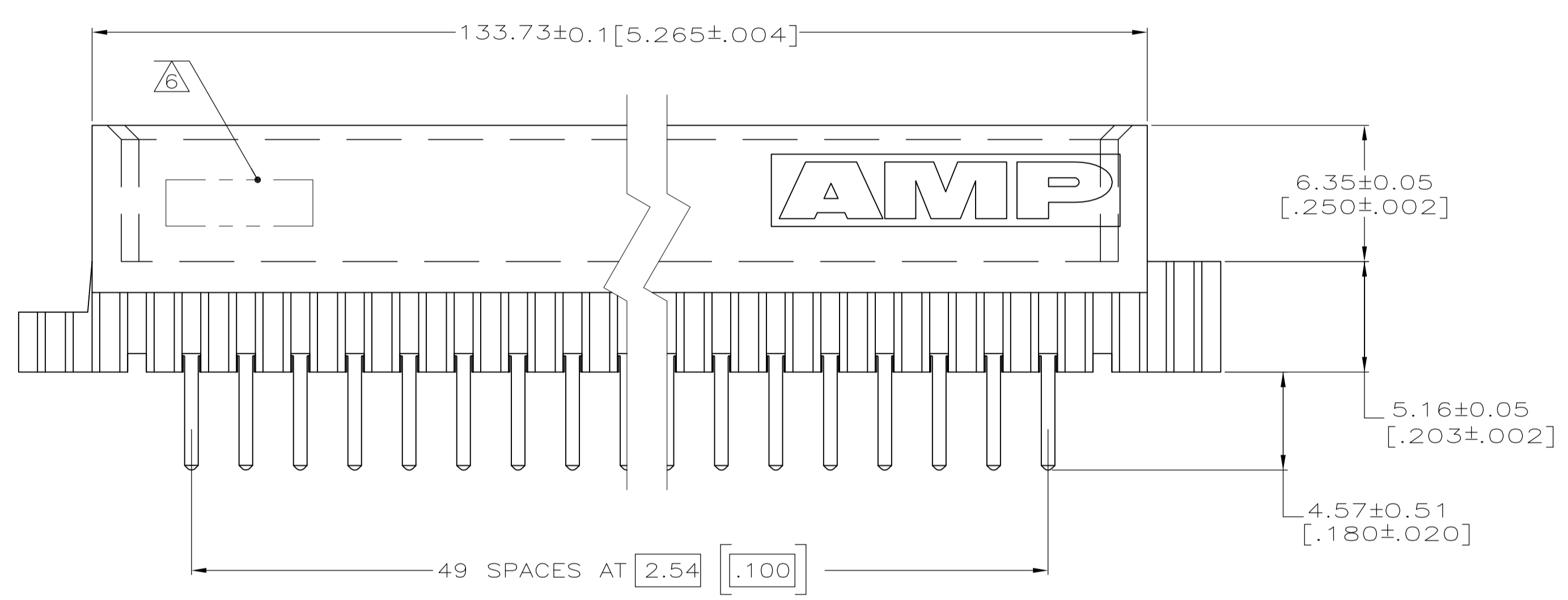


- 1 HOUSING MATERIAL: GLASS-FILLED POLYMER
- 2 POST MATERIAL: COPPER ALLOY.
- 3 POST FINISH: DIN 41612 CLASS 2 IN CONTACT AREA. TIN PLATE ON POSTS.
- 4 MARKING ON THIS SIDE.
- 5 RECOMMENDED HOLE SIZE FOR MANUAL APPLICATION OF CONNECTOR ONTO PC BOARD.
- 6 PART NUMBER, DATE CODE MARKED THIS APPROXIMATE AREA.



PC BOARD LAYOUT

1-50	X	X	X	150	5650911-5
POSITIONS LOADED	C	B	A	NO. OF LOADED POSITION	ASSY PART NUMBER

THIS DRAWING IS A CONTROLLED DOCUMENT.		DIN J. POLIGNONE		Tyco Electronics Corporation	
DIMENSIONS: mm [INCHES]		CIRK A. SHARPE		Harrisburg, PA 17105-3608	
TOLERANCES UNLESS OTHERWISE SPECIFIED:		APVD A. SHARPE		NAME	
0 PLC ± -		PRODUCT SPEC		ASSEMBLY, PIN, EUROCARD, TYPE R, 150 POSITION, 4.57[.180] SOLDER POST	
1 PLC ± -		APPLICATION SPEC		SIZE	
2 PLC ± 0.13[.005]		WEIGHT		CAGE CODE	
3 PLC ± -		DRAWING NO		RESTRICTED TO	
4 PLC ± -		A1 00779		SCALE	
ANGLES ± -		C=5650911		SHEET	
MATERIAL		CUSTOMER DRAWING		1 OF 1	
FINISH		SCALE 5:1		REV 01	

单击下面可查看定价，库存，交付和生命周期等信息

[>>TE Connectivity\(泰科\)](#)