

8

7

6

5

4

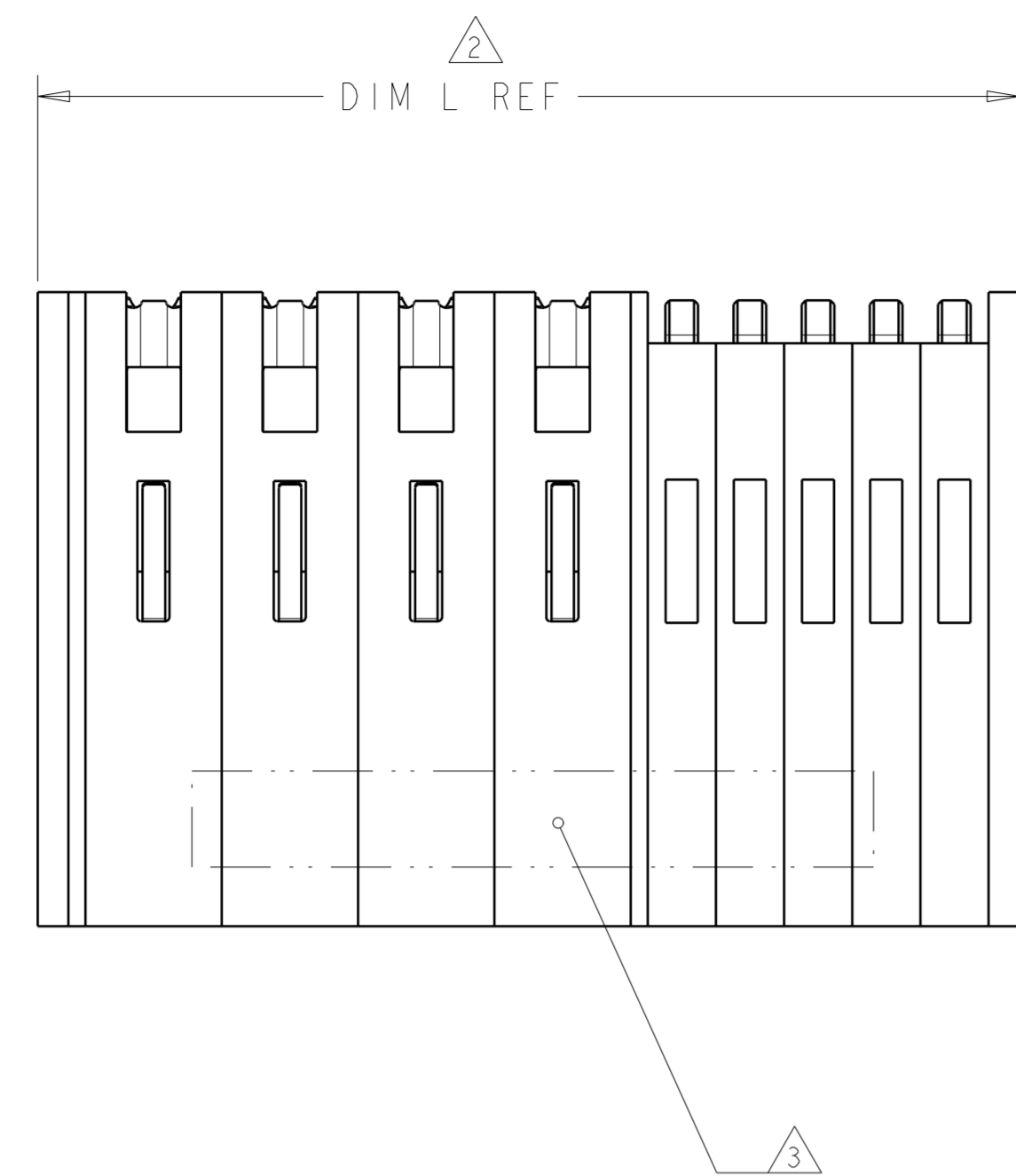
3

2

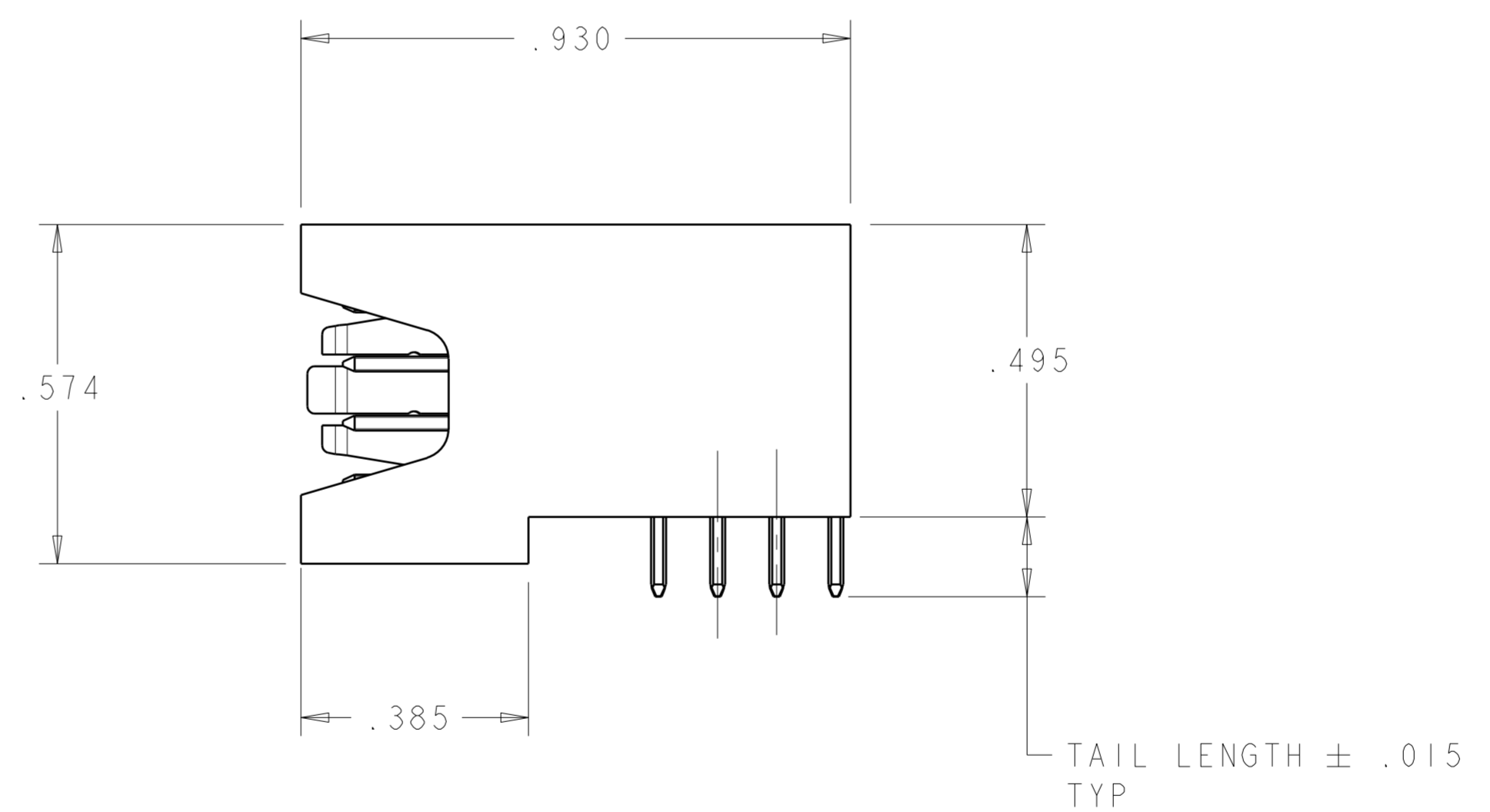
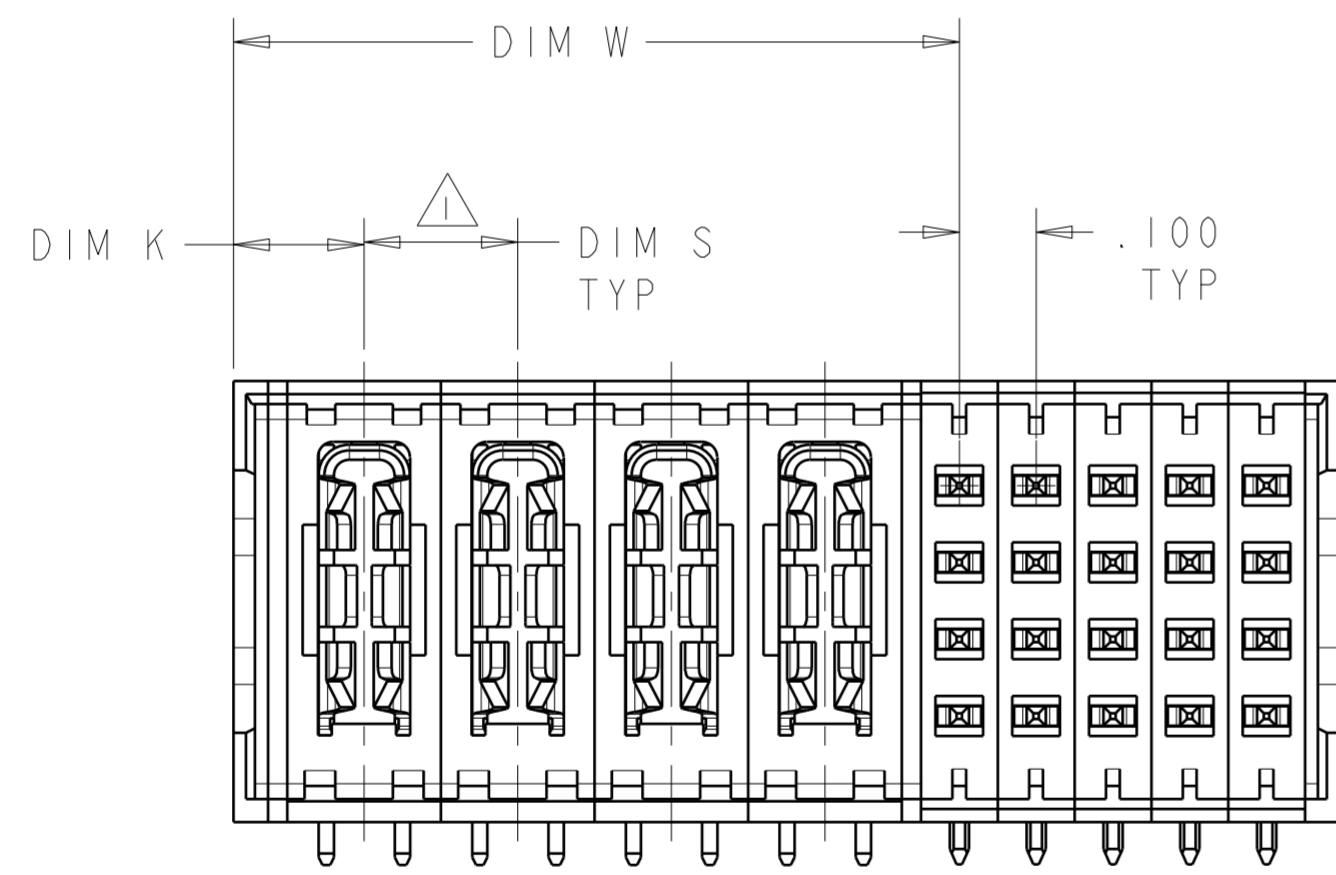
1

THIS DRAWING IS UNPUBLISHED. RELEASED FOR PUBLICATION
COPYRIGHT 20 BY TYCO ELECTRONICS CORPORATION. ALL RIGHTS RESERVED.

LOC		DIST		REVISIONS			
ES	00	P	LTR	DESCRIPTION	DATE	DWN	APVD
		A1		REV PER ECR-06-021202	4SEP2006	DZ	SY



- △ 1 DIM IS CENTERLINE SPACING OF POWER MODULES ON LEFT SIDE OF HOUSING.
- △ 2 THE MAXIMUM OVERALL LENGTH OF A PART IS 8.00.
- △ 3 "AMP" PART NUMBER, AND DATE CODE MARKED IN AREA SHOWN. MARKING ON BOTH SIDES PERMITTED FOR PARTS UNDER 2.00 LONG.
- △ 4 MATERIAL:
HOUSING - GLASS FILLED HIGH TEMP THERMO PLASTIC, UL94 V-0
SIGNAL CONTACT - COPPER ALLOY
POWER CONTACT - HIGH CONDUCTIVITY COPPER ALLOY
- △ 5 CONTACT PLATING:
SIGNAL CONTACTS - .000050 MIN Ni UNDER ALL.
.000030 MIN Au ON CONTACT AREA.
.000100 MIN Sn AT PCB INTERFACE.
POWER CONTACTS - .000050 MIN Ni UNDER ALL.
.000030 MIN Au ON CONTACT AREA.
.000100 MIN Sn AT PCB INTERFACE.
- △ 6 MECHANICAL CONNECTOR KEEP OUT ZONE.
- △ 7 DATUM AND BASIC DIMENSIONS ESTABLISHED BY CUSTOMER.
- △ 8 PCB - ALL HOLE DIAMETERS ARE FINISHED HOLE SIZES.
- △ 9 PCB - .0453±.0010 DRILLED HOLES PLATED WITH .0003 MIN SnPb OVER .001 TO .003 Cu PLATING TO ACHIEVE A .040 HOLE.

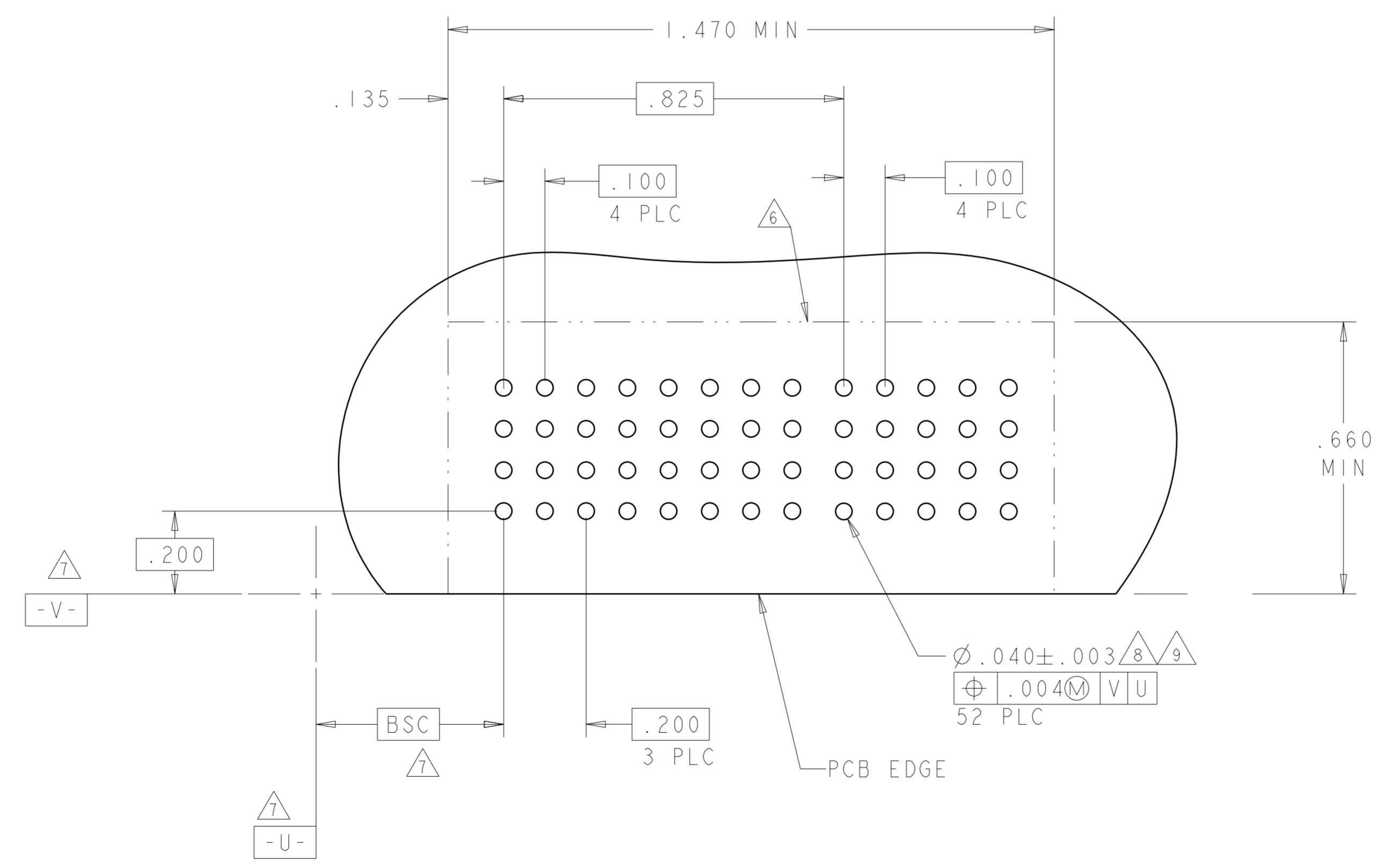


DIM W	DIM S	DIM K	DIM L	DESCRIPTION	PART NUMBER																																																																		
.945	.200	0.170	1.440	4HDP + 20S	1892106-1																																																																		
<table border="1" style="width: 100%;"> <tr> <td colspan="2">DWN</td> <td colspan="2">4SEP2006</td> <td colspan="2">Tyco Electronics Incorporated</td> </tr> <tr> <td colspan="2">DNNY ZHU</td> <td colspan="2">4SEP2006</td> <td colspan="2">Shanghai, P.R.China, 200233</td> </tr> <tr> <td colspan="2">CHN</td> <td colspan="2">SUNY ZHAO</td> <td colspan="2">Tyco Electronics</td> </tr> <tr> <td colspan="2">APVD</td> <td colspan="2">S. YAO</td> <td colspan="2">NAME</td> </tr> <tr> <td colspan="2">PRODUCT SPEC</td> <td colspan="2">108-1973</td> <td colspan="2">RIGHT ANGLE HEADER</td> </tr> <tr> <td colspan="2">APPLICATION SPEC</td> <td colspan="2">114-13038</td> <td colspan="2">MULTI-BEAM XL, PWR-SIG, NO GUIDE</td> </tr> <tr> <td colspan="2">SIZE</td> <td colspan="2">A1</td> <td colspan="2">RESTRICTED TO</td> </tr> <tr> <td colspan="2">WEIGHT</td> <td colspan="2">00779</td> <td colspan="2">DRAWING NO</td> </tr> <tr> <td colspan="2">FINISH</td> <td colspan="2">C=1892106</td> <td colspan="2">SCALE</td> </tr> <tr> <td colspan="2">CUSTOMER DRAWING</td> <td colspan="2">SCALE</td> <td colspan="2">SHEET 1 OF 2</td> </tr> <tr> <td colspan="2"></td> <td colspan="2"></td> <td colspan="2">REV A1</td> </tr> </table>						DWN		4SEP2006		Tyco Electronics Incorporated		DNNY ZHU		4SEP2006		Shanghai, P.R.China, 200233		CHN		SUNY ZHAO		Tyco Electronics		APVD		S. YAO		NAME		PRODUCT SPEC		108-1973		RIGHT ANGLE HEADER		APPLICATION SPEC		114-13038		MULTI-BEAM XL, PWR-SIG, NO GUIDE		SIZE		A1		RESTRICTED TO		WEIGHT		00779		DRAWING NO		FINISH		C=1892106		SCALE		CUSTOMER DRAWING		SCALE		SHEET 1 OF 2						REV A1	
DWN		4SEP2006		Tyco Electronics Incorporated																																																																			
DNNY ZHU		4SEP2006		Shanghai, P.R.China, 200233																																																																			
CHN		SUNY ZHAO		Tyco Electronics																																																																			
APVD		S. YAO		NAME																																																																			
PRODUCT SPEC		108-1973		RIGHT ANGLE HEADER																																																																			
APPLICATION SPEC		114-13038		MULTI-BEAM XL, PWR-SIG, NO GUIDE																																																																			
SIZE		A1		RESTRICTED TO																																																																			
WEIGHT		00779		DRAWING NO																																																																			
FINISH		C=1892106		SCALE																																																																			
CUSTOMER DRAWING		SCALE		SHEET 1 OF 2																																																																			
				REV A1																																																																			
DIMENSIONS:		TOLERANCES UNLESS OTHERWISE SPECIFIED:																																																																					
INCHES		0 PLC ±0																																																																					
		1 PLC ±0.1																																																																					
		2 PLC ±0.01																																																																					
		3 PLC ±0.005																																																																					
		4 PLC ±0.0005																																																																					
		ANGLES ±10°																																																																					
MATERIAL		FINISH																																																																					
△ 4		△ 5																																																																					

LOC	DIST	REVISIONS					
ES	00	PT	LTR	DESCRIPTION	DATE	DWN	APVD
				SEE SHEET J			

PART NUMBER	ROWS	POWER				SIGNAL				
		P1	P2	P3	P4	1	2	3	4	5
1892106-1	D					J	J	J	J	J
	C	TM	TM	TM	TM	K	K	K	K	K
	B					N	N	N	N	N
A						S	S	S	S	S

4HDP + 20S



-	1	HOUSING RIGHT ANGLE HEADER MULTI-BEAM XL	HOUSING
STD	5	SIGNAL CONTACT ,R/A HDR,STD MBXL, ROW D	J
STD	5	SIGNAL CONTACT ,R/A HDR,STD MBXL, ROW C	K
STD	5	SIGNAL CONTACT ,R/A HDR,STD MBXL, ROW B	N
STD	5	SIGNAL CONTACT ,R/A HDR,STD MBXL, ROW A	S
-	4	POWER CONTACT R/A HDR, MBXL .135 SOLDER LEG	TM
MATING SEQUENCE	QTY	DESCRIPTION	IDENTIFIER

DIMENSIONS: INCHES 		TOLERANCES UNLESS OTHERWISE SPECIFIED: 0 PLC ±0 1 PLC ±0.1 2 PLC ±0.01 3 PLC ±0.005 4 PLC ±0.0005 ANGLES ±0°30'		DWN DENNY ZHU 4SEP2006 CHK SUNY ZHAO 4SEP2006 APVD S. YAO NAME SUNY ZHAO PRODUCT SPEC 108-1973 APPLICATION SPEC 114-13038 WEIGHT - MATERIAL - FINISH -		Tyco Electronics Incorporated Shanghai, P.R. China, 200233 RIGHT ANGLE HEADER MULTI-BEAM XL, PWR-SIG, NO GUIDE .135 SOLDER LEGS SIZE CAE CODE DRAWING NO. RESTRICTED TO A1 00779 C-1892106 - CUSTOMER DRAWING SCALE 4:1 SHEET 2 OF 2 REV A1	
---------------------------	--	---	--	--	--	--	--

单击下面可查看定价，库存，交付和生命周期等信息

[>>TE Connectivity\(泰科\)](#)