

THIS DRAWING IS UNPUBLISHED.

RELEASED FOR PUBLICATION

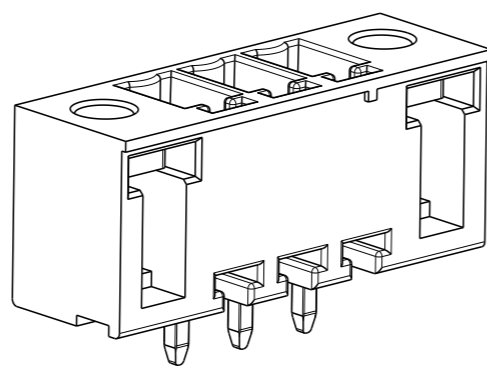
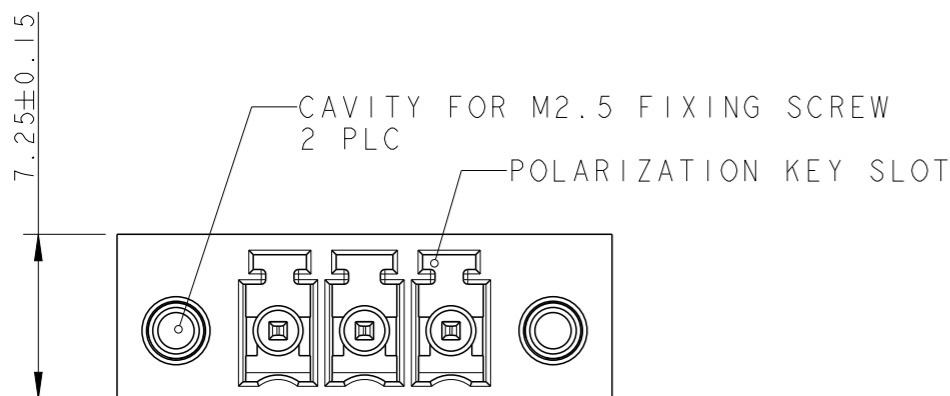
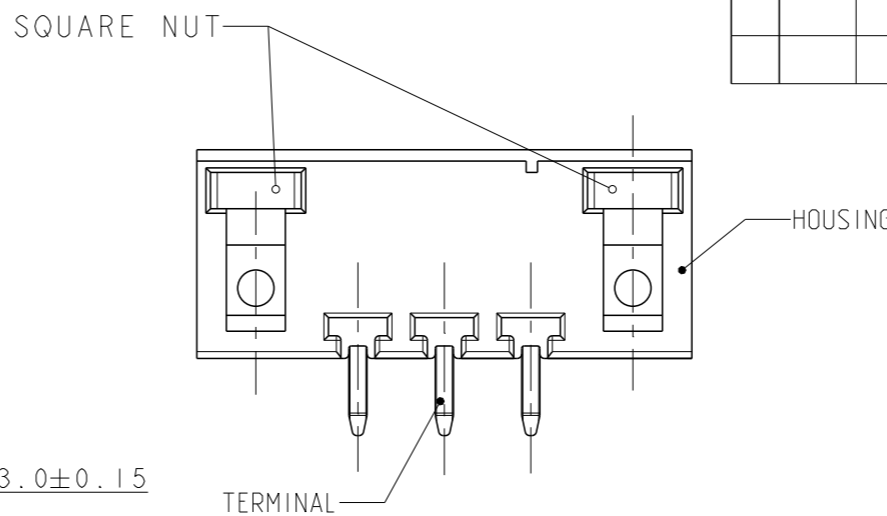
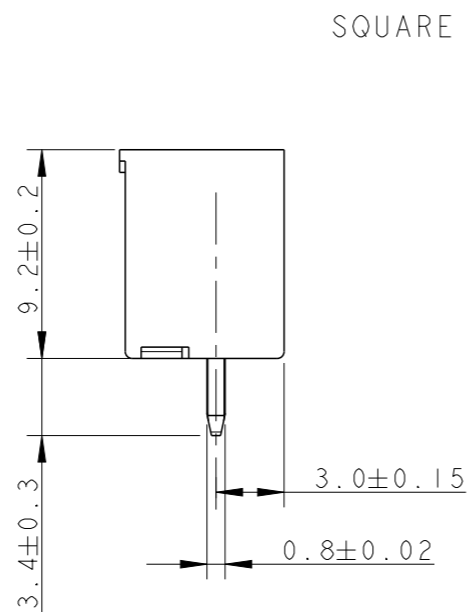
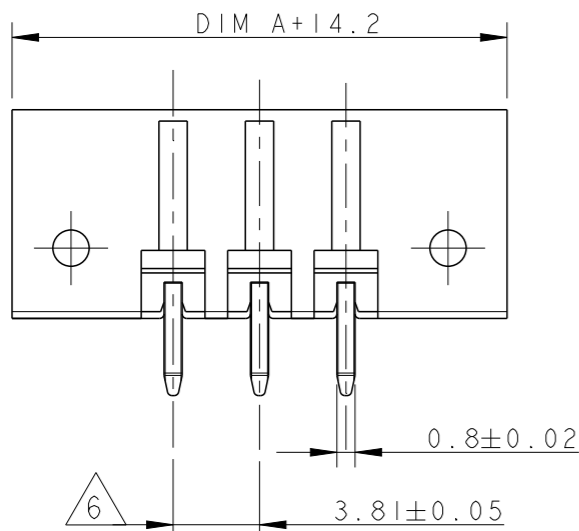
20

© COPYRIGHT 20 BY -

ALL RIGHTS RESERVED.

REVISIONS

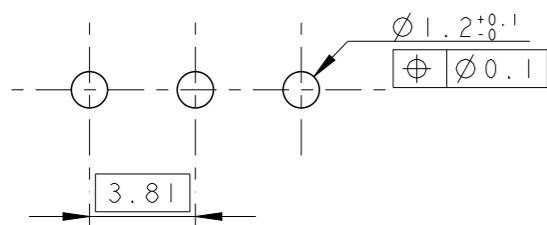
P	LTR	DESCRIPTION	DATE	DWN	APVD
	B2	SQUARE NUT PART INFORMATION ADDED	11MAY2018	RK	PS



284519-3 AS SHOWN

OBSOLETE	83.82	23	2-284519-3
	80.01	22	2-284519-2
	76.20	21	2-284519-1
	72.39	20	2-284519-0
	68.58	19	1-284519-9
	64.77	18	1-284519-8
	60.96	17	1-284519-7
57.15	16	1-284519-6	
OBSOLETE	53.34	15	1-284519-5
	49.53	14	1-284519-4
	45.72	13	1-284519-3
	41.91	12	1-284519-2
	38.10	11	1-284519-1
	34.29	10	1-284519-0
	30.48	9	284519-9
	26.67	8	284519-8
	22.86	7	284519-7
	19.05	6	284519-6
15.24	5	284519-5	
11.43	4	284519-4	
7.62	3	284519-3	
3.81	2	284519-2	
DIM A	NO OF POS	PART NUMBER	

RECOMMENDED PC BOARD LAYOUT



THIS DRAWING IS A CONTROLLED DOCUMENT.

DIMENSIONS: mm	TOLERANCES UNLESS OTHERWISE SPECIFIED:
	0 PLC ±0.3
	1 PLC ±0.3
	2 PLC ±0.25
	3 PLC ±0.25
	4 PLC ±0.25
	ANGLES ±2
MATERIAL	FINISH

DWN	07FEB2002
E. ZANOLINI	
CHK	07FEB2002
E. ZANOLINI	
APVD	07FEB2002
D. BIEVENOUR	
PRODUCT SPEC	-
APPLICATION SPEC	-
WEIGHT	-
CUSTOMER DRAWING	

STE TE Connectivity

NAME: TERMINAL BLOCK HEADER ASSEMBLY STRAIGHT, 3.81mm PITCH WITH THREADED FLANGE

SIZE	CAGE CODE	DRAWING NO	RESTRICTED TO
A3	00779	C-284519	-

SCALE: 3:1 SHEET: 1 OF 2 REV: B2

4

3

2

1

THIS DRAWING IS UNPUBLISHED.

RELEASED FOR PUBLICATION

20

© COPYRIGHT 20

BY -

ALL RIGHTS RESERVED.

REVISIONS

P	LTR	DESCRIPTION	DATE	DWN	APVD
	-	SEE SHEET 1	-	-	-

NOTES:

1

MATERIALS AND FINISH

HOUSING : PA 6.6, UL 94-V0, COLOR GREEN
 TERMINAL : PHOSPHOR BRONZE, TIN PLATED
 SQUARE NUT : BRASS, NICKEL PLATED.

2. MECHANICAL

MAX. INSERTION FORCE PER POLE : 3.0 N
 MIN. WITHDRAWAL FORCE PER POLE : 1.5 N
 MIN. PC BOARD HOLES DIAMETER : 1.2 mm
 MAX. PC BOARD THICKNESS : 2.4 mm

3. ELECTRICAL

WIRE RANGE : 14-30 AWG
 MAX. VOLTAGE : 300 V
 MAX CURRENT : 11 A
 CONTACT RESISTANCE : <15 m Ohm
 INSULATION RESISTANCE : >1000 M Ohm (500V DC)

4. OPERATING TEMPERATURE RANGE: -40°C TO +110°C

5. CONNECTOR ASSEMBLY INCLUDED 2 SQUARE NUTS
LOADED IN CAVITY

6

NOT CUMULATIVE TOLERANCE

THIS DRAWING IS A CONTROLLED DOCUMENT.

DWN 07FEB2002

E. ZANOLINI

CHK 07FEB2002

E. ZANOLINI

APVD 07FEB2002

D. BIEVENOUR

PRODUCT SPEC

-

APPLICATION SPEC

-

WEIGHT

-

CUSTOMER DRAWING

TE Connectivity

NAME
 TERMINAL BLOCK HEADER ASSEMBLY
 STRAIGHT, 3.81mm PITCH
 WITH THREADED FLANGE

SIZE	CAGE CODE	DRAWING NO	RESTRICTED TO
A3	00779	C-284519	-

SCALE 3:1 SHEET 2 OF 2 REV B2

DIMENSIONS:

mm

TOLERANCES UNLESS
OTHERWISE SPECIFIED:

0 PLC	±	-
1 PLC	±	0.3
2 PLC	±	0.25
3 PLC	±	-
4 PLC	±	-
ANGLES	±	2

MATERIAL

1

FINISH

1

1470-19 (3/13)

Downloaded From Onevac.com

单击下面可查看定价，库存，交付和生命周期等信息

[>>TE Connectivity\(泰科\)](#)