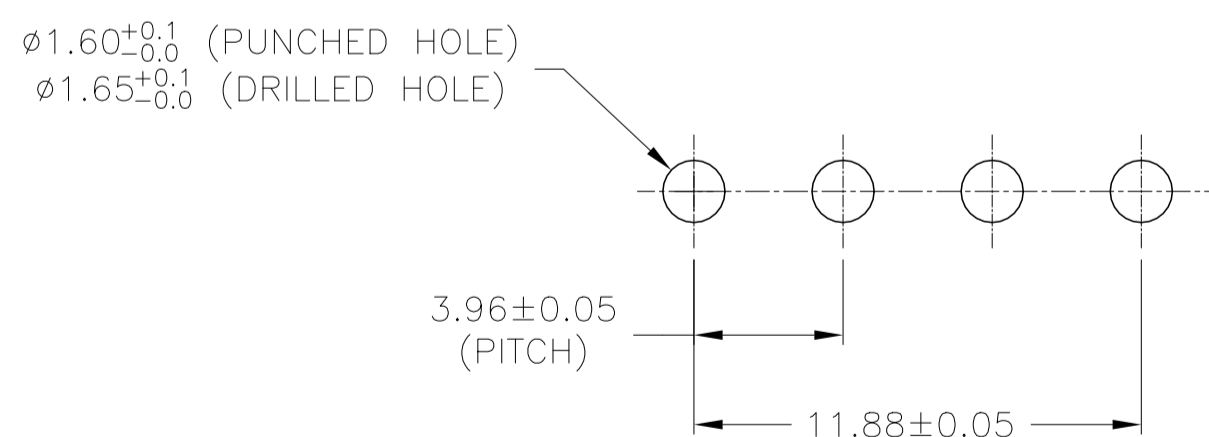
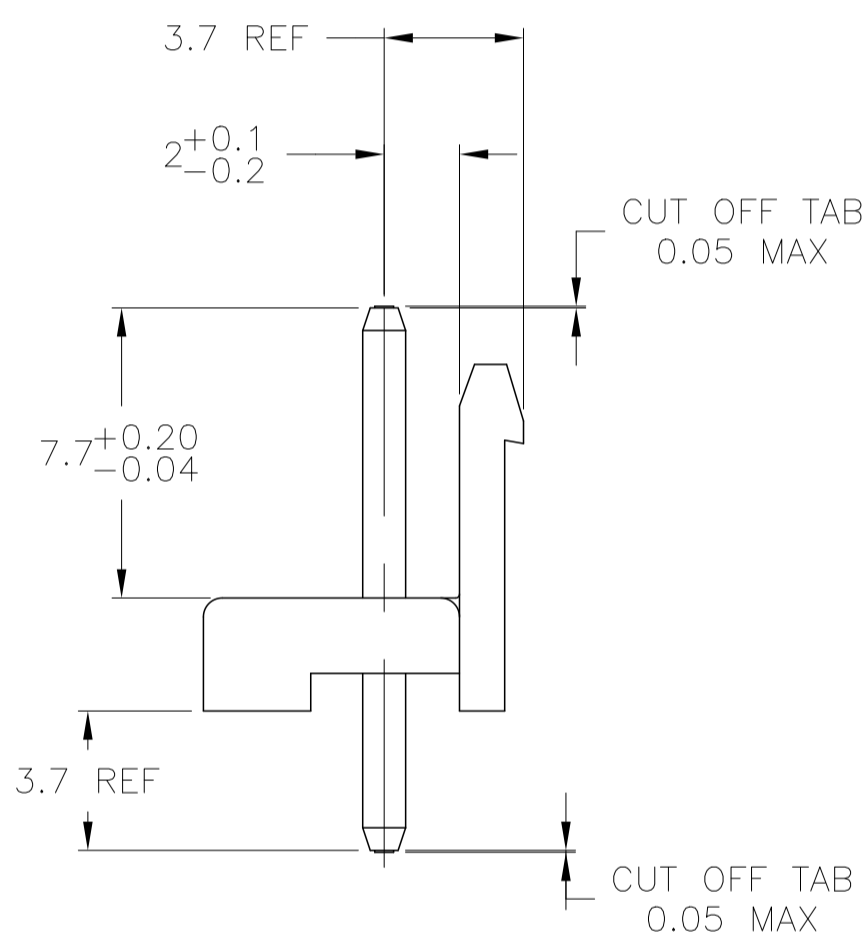
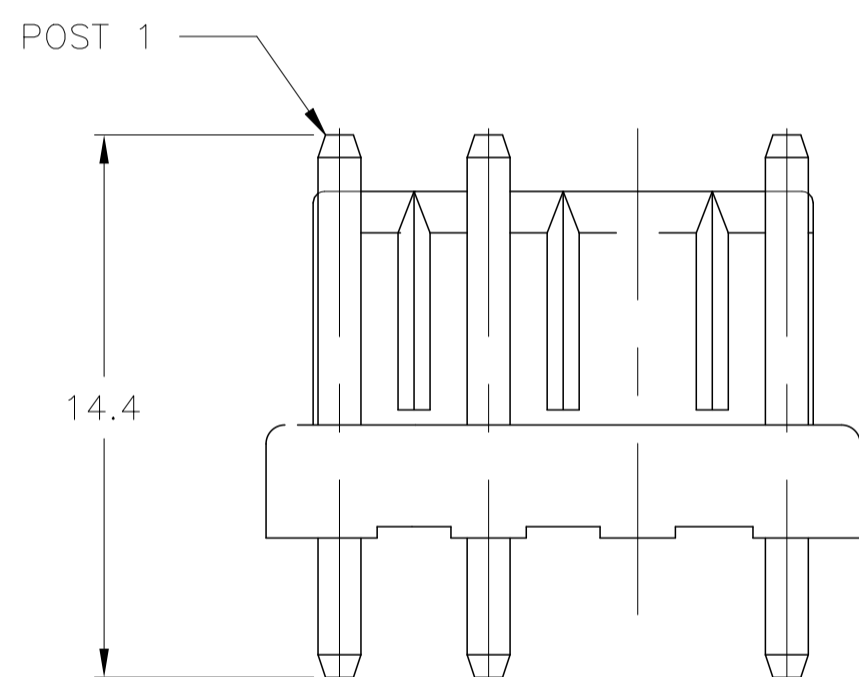
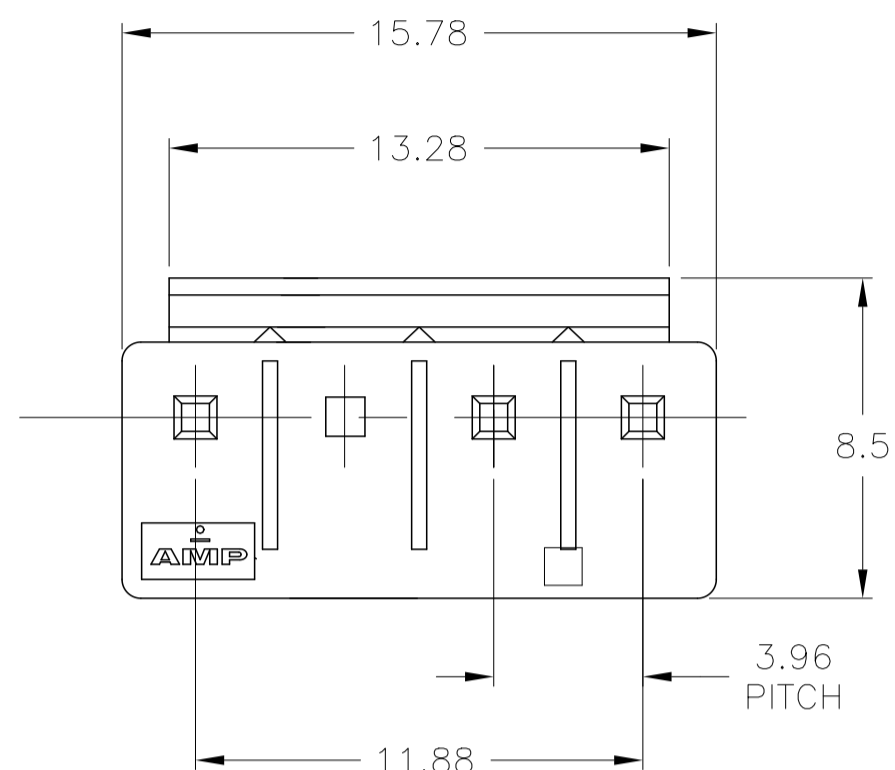


REVISIONS					
P	LTR	DESCRIPTION	DATE	DWN	APVD
	C2	REVISED PER ECR-21-100965	11MAR2021	SS	DZ



PCB LAYOUT THICKNESS: 1.60

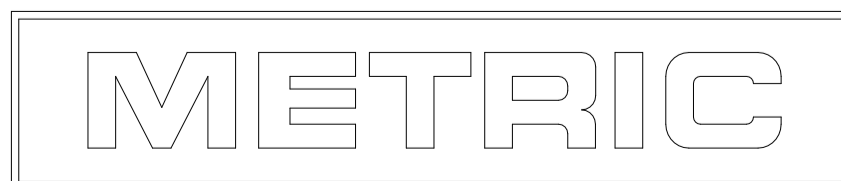
1744104-1 SHOWN

1 MATERIAL: HOUSING- PBT, NATURAL
 POST- BRASS, 1MICROMETER MIN TIN OVER
 0.8 MICROMETER MIN NICKEL.

2. RECOMMENDED MATING PART: *-1123722-*

3 O : WITH PIN,
 X : WITHOUT PIN.

1	2	3	4	COLOR	NO. OF POSITIONS	ASSEMBLY PART NO.
O	X	X	O	RED	4	4-1744104-2
O	O	O	O	BLACK	4	5-1744104-4
O	O	O	O	RED	4	4-1744104-4
O	O	O	O	NATURAL	4	1-1744104-4
O	X	O	X	BLUE	4	3-1744104-5
O	X	O	X	BLACK	4	5-1744104-3
O	X	X	O	BLUE	4	3-1744104-2
O	X	X	O	NATURAL	4	1-1744104-2
OBSOLETE	X	X	O	NATURAL	4	1744104-3
O	X	O	O	NATURAL	4	1744104-2
OBSOLETE	O	O	X	NATURAL	4	1744104-1



THIS DRAWING IS A CONTROLLED DOCUMENT.

DWN K. WHITAKER 04JUN04	TE Connectivity HEADER ASSEMBLY, SPECIAL, OMITTED POST, 4 POSITION ECONOMY POWER (EP)					
CHK D. BOSSI 04JUN04						
APVD D. BOSSI 04JUN04						
NAME 108-5609						
DIMENSIONS: mm	TOLERANCES UNLESS OTHERWISE SPECIFIED:	PRODUCT SPEC APPLICATION SPEC	SIZE A2	CAGE CODE 00779	DRAWING NO. C-1744104	RESTRICTED TO
0 PLC ± - 1 PLC ± 0.5 2 PLC ± 0.30 3 PLC ± - 4 PLC ± - ANGLES ± -	FINISH	WEIGHT 0.000000	SCALE N/A	SHEET 1 of 1	REV C2	
MATERIAL	FINISH	CUSTOMER DRAWING				

单击下面可查看定价，库存，交付和生命周期等信息

[>>TE Connectivity\(泰科\)](#)