

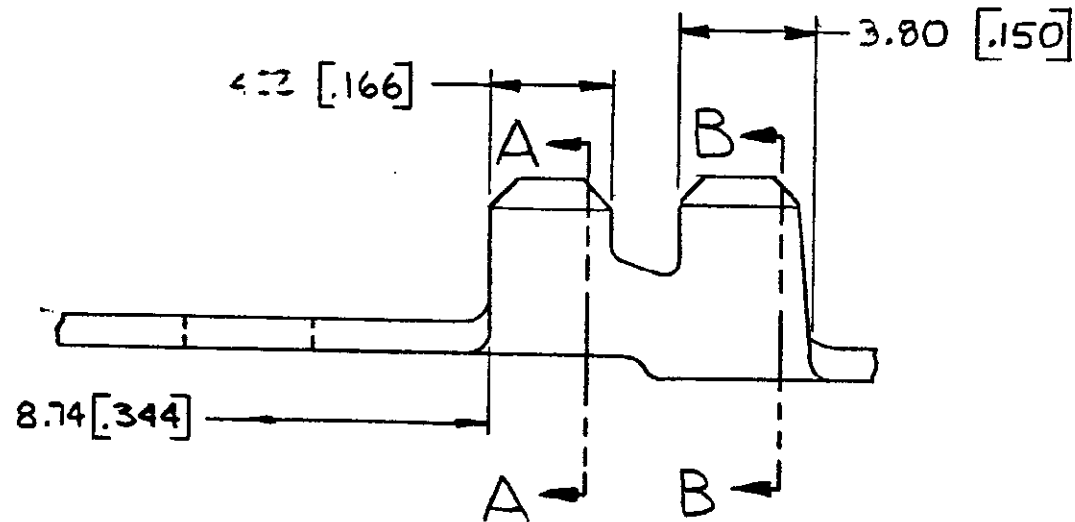
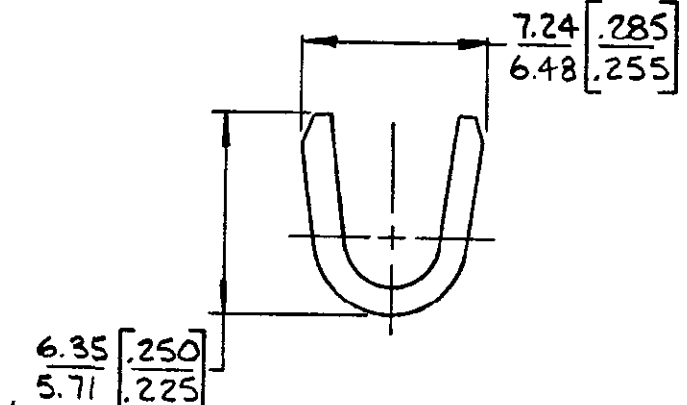
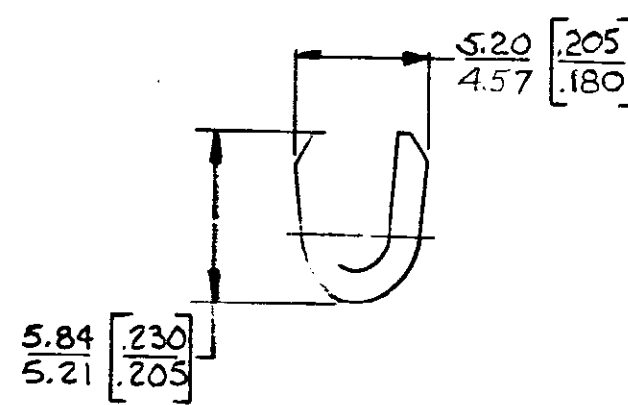
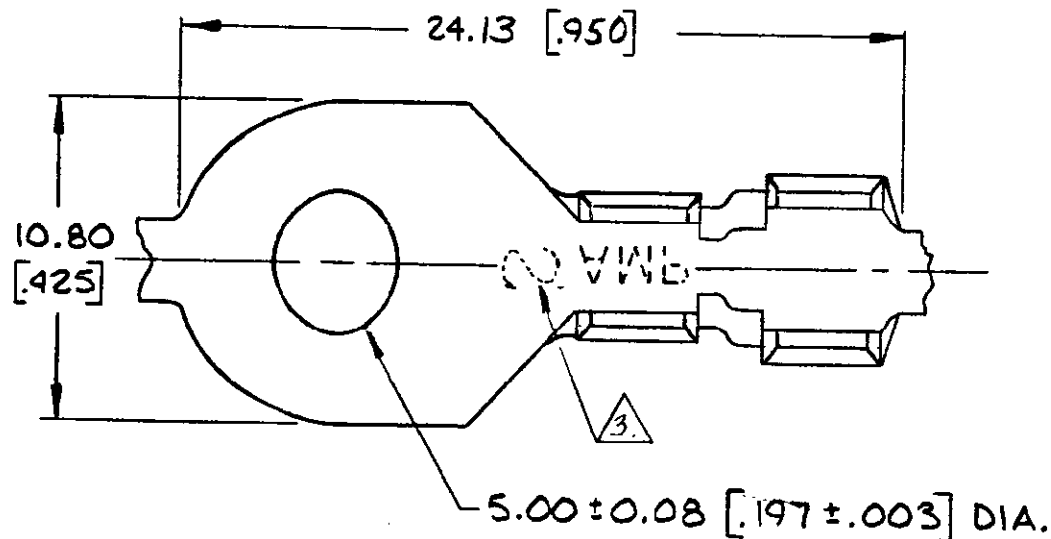
© COPYRIGHT 1964 BY AMP INCORPORATED, HARRISBURG, PA.
ALL INTERNATIONAL RIGHTS RESERVED. AMP INCORPORATED PRODUCTS
COVERED BY U. S. AND FOREIGN PATENTS AND/OR PATENTS PENDING.

3

2

1 LOC AF DIST 50

REVISIONS				
ZONE	LTR	DESCRIPTION	DATE	APPROVED
F		REDRAWN & REVISED A-3943	6-13-78	KFS / SS
R		ADDED PART NO 60485-4 TTI	10/16/78	GY/RPF
S		OBSOLETE 60485-4 PER A-5193	12-22-81	CS/GY
T		Revised AF 1752	3-31-86	RPF/GY
U		REV. INSUL. BARREL AF-2280	1-7-87	MSF/GY
V		REV PER AF-6785	7/5/90	PMF/GY
W		REV PER AF-8047	7/21/92	PMF/GY
Y		REV PER 0710-0137-96	10/10/96	PMF/GY



- 1. CONTINUOUS STEP ON REELS
- 2. DIMENSIONS IN BRACKETS ARE IN INCHES
- 3. 'S' TO BE STAMPED ON PART 60485-4

OBsolete

#10	20-33mm ²	3.81 - 5.33	NICKEL	0.76 [030] STEEL	60485-4 ³
	[14-17]	[.150-.210]	NONE	0.76 [030] BRASS	60485-3
			NICKEL	0.76 [030] STEEL	60485-2
			TIN	0.76 [030] BRASS	60485-1
STUD SIZE	WIRE RANGE	INSULATION RANGE	FINISH	MATERIAL	PART NO
UNLESS OTHERWISE SPECIFIED DIMENSIONS ARE IN MILLIMETERS			CONTRACT NO		
TOLERANCES ON DECIMALS ± 0.38 [0.015]			K. Schneider 6-13-78		
ANGLES ±			K. Schaffhausen 7/29/78		
MATERIAL	SEE TABLE		AMP INCORPORATED Harrisburg, Pa.		
FINISH	SEE TABLE		NAME RING		
			SIZE	CODE IDENT NO	DRAWING NO
			B	00779	60485
			SCALE	SHEET	

单击下面可查看定价，库存，交付和生命周期等信息

[>>TE Connectivity\(泰科\)](#)