

4

3

2

1

THIS DRAWING IS UNPUBLISHED.

RELEASED FOR PUBLICATION

20

© COPYRIGHT 20 BY -

ALL RIGHTS RESERVED.

REVISIONS

P	LTR	DESCRIPTION	DATE	DWN	APVD
	A	INITIAL	28FEB2015	DW	CW
	A1	ECR-16-000601	14JAN2016	DW	CW
	A2	ECR-16-017508	10DEC2016	RL	CW
	B	ECR-21-122216	08DEC2021	WQR	CW

NOTES:

1. TECHNICAL CHARACTERISTICS:  
 FRAME MATERIAL: DIE CAST ZINC ALLOY  
 NUMBER OF MODULES: 2  
 SURFACE: ZINC PLATED  
 MATING CYCLES: 500 CYCLES

注释:

1. 技术参数:  
 框架材料: 锌合金  
 模块数量: 2  
 表面处理: 镀锌  
 插拔次数: 500次

4X M3 SCREW  
 RECOMMENDED TIGHTENING TORQUE 0.5Nm  
 4X M3 螺丝推荐锁紧力矩为0.5Nm

2X M4 SCREW, RECOMMENDED TIGHTENING TORQUE 1.2Nm  
 2X M4 螺丝, 推荐锁紧力矩为1.2Nm

T2070064001-000 SHOWN ABOVE WITHOUT MARK  
 T2070064001-000, 不带标记

PANEL CUT FOR FRAME USE WITHOUT HOODS/ HOUSINGS

T2070064001-000	H6BN-T2	H6BN MODULE FRAME H6BN模块框架
T2070064101-000	H6BN-T2-M	H6BN MALE MODULE FRAME H6BN模块公框架
T2070064201-000	H6BN-T2-F	H6BN FEMALE MODULE FRAME H6BN模块母框架
PART NUMBER 料号	PART DESCRIPTION 描述	

THIS DRAWING IS A CONTROLLED DOCUMENT.

DIMENSIONS:  
mm

TOLERANCES UNLESS OTHERWISE SPECIFIED:

0 PLC	±-
1 PLC	±-
2 PLC	±-
3 PLC	±-
4 PLC	±-
ANGLES	±-
FINISH	-

MATERIAL

-

DWN 28FEB2015

DAVID WANG

CHK 28FEB2015

CHRIS WANG

APVD 28FEB2015

XIANG XU

PRODUCT SPEC

108-137057

APPLICATION SPEC

114-137057

WEIGHT

-

Customer Drawing

NAME

H6BN-T2

SIZE

A3

CAGE CODE

00779

DRAWING NO

G-T2070064001000

RESTRICTED TO

-

SCALE

1:1

SHEET

1 OF 2

REV

B

TE Connectivity

1470-19 (3/13)

Downloaded From [Onevac.com](http://Onevac.com)

THIS DRAWING IS UNPUBLISHED.

RELEASED FOR PUBLICATION

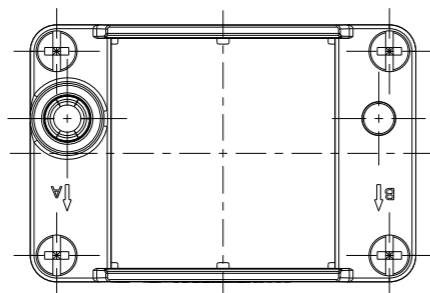
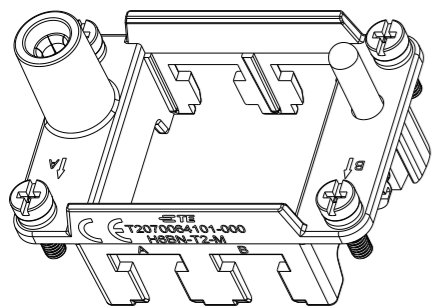
20

REVISIONS

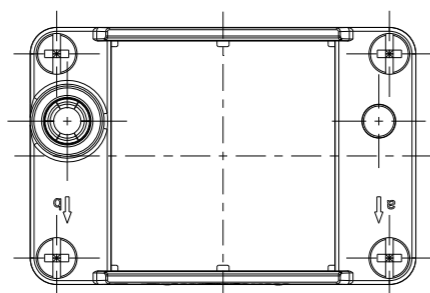
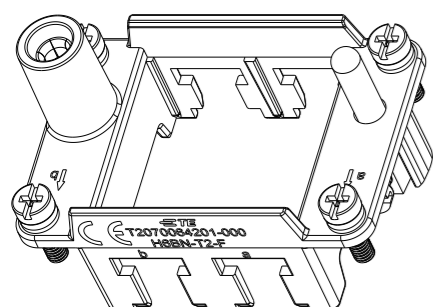
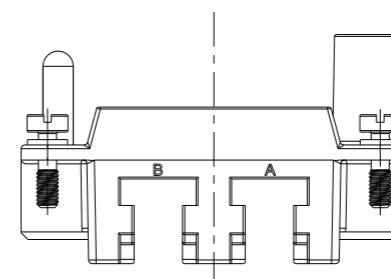
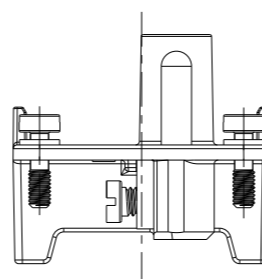
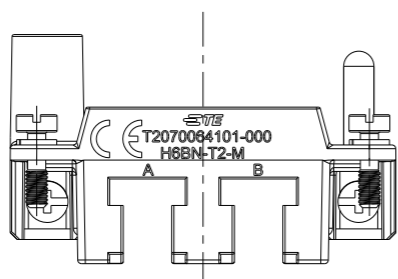
© COPYRIGHT 20 BY -

ALL RIGHTS RESERVED.

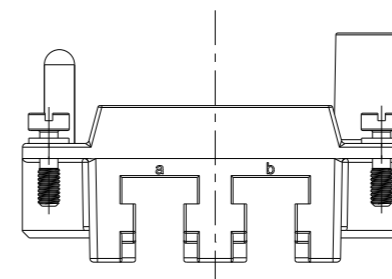
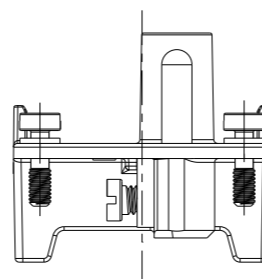
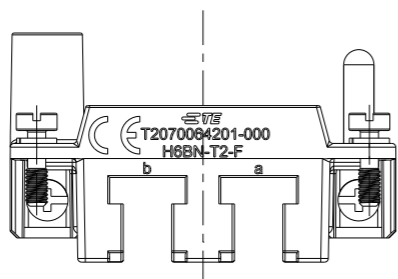
P	LTR	DESCRIPTION	DATE	DWN	APVD
-	-	SEE SHEET 1	-	-	-



T2070064101-000, H6BN-T2-M SHOWN  
 WITH MARK, ALL DIMENSIONS THE SAME TO T2070064001-000  
 T2070064101-000, H6BN-T2-M, 带标记, 所有尺寸同T2070064001-000一样



T2070064201-000, H6BN-T2-F SHOWN  
 WITH MARK, ALL DIMENSIONS THE SAME TO T2070064001-000  
 T2070064201-000, H6BN-T2-F, 带标记, 所有尺寸同T2070064001-000一样



THIS DRAWING IS A CONTROLLED DOCUMENT.

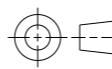
DWN 28FEB2015  
 DAVID WANG  
 CHK 28FEB2015  
 CHRIS WANG  
 APVD 28FEB2015  
 XIANG XU



NAME H6BN-T2

DIMENSIONS: mm

TOLERANCES UNLESS OTHERWISE SPECIFIED:



- 0 PLC ±-
- 1 PLC ±-
- 2 PLC ±-
- 3 PLC ±-
- 4 PLC ±-
- ANGLES ±-
- FINISH ±-

PRODUCT SPEC 108-137057  
 APPLICATION SPEC 114-137057  
 WEIGHT -

SIZE A3 CAGE CODE 00779 DRAWING NO. T2070064001000 RESTRICTED TO -

MATERIAL -

CUSTOMER DRAWING

SCALE 1:1 SHEET 2 OF 2 REV B

单击下面可查看定价，库存，交付和生命周期等信息

[>>TE Connectivity\(泰科\)](#)