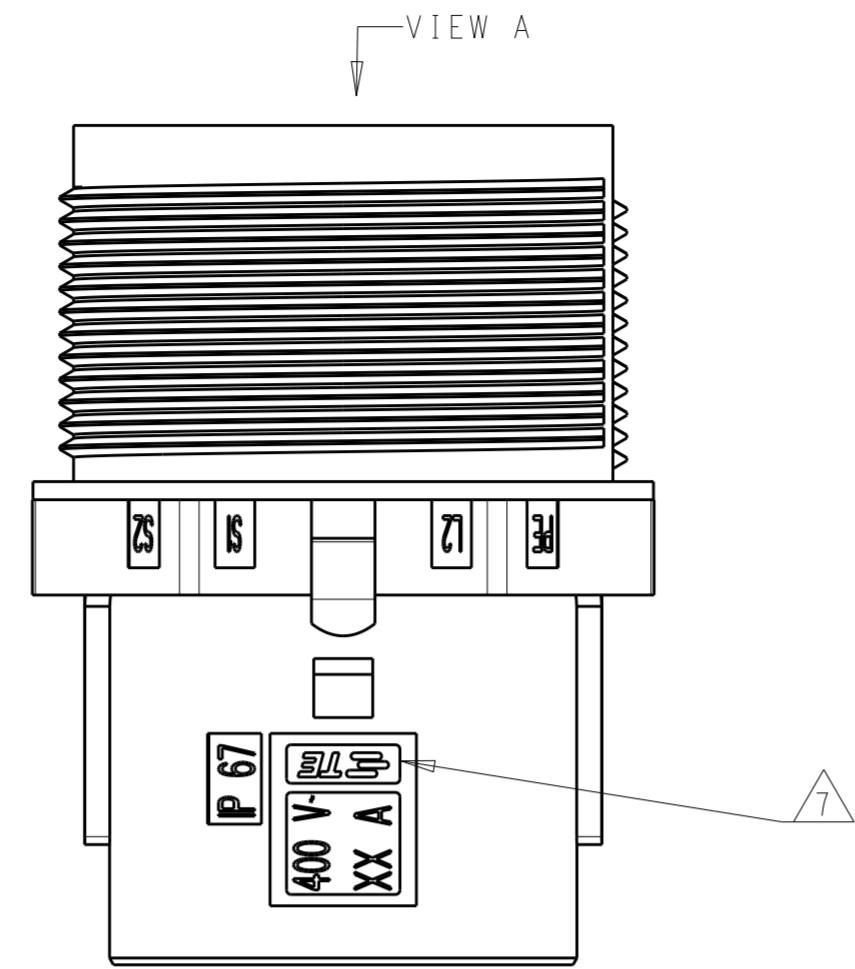
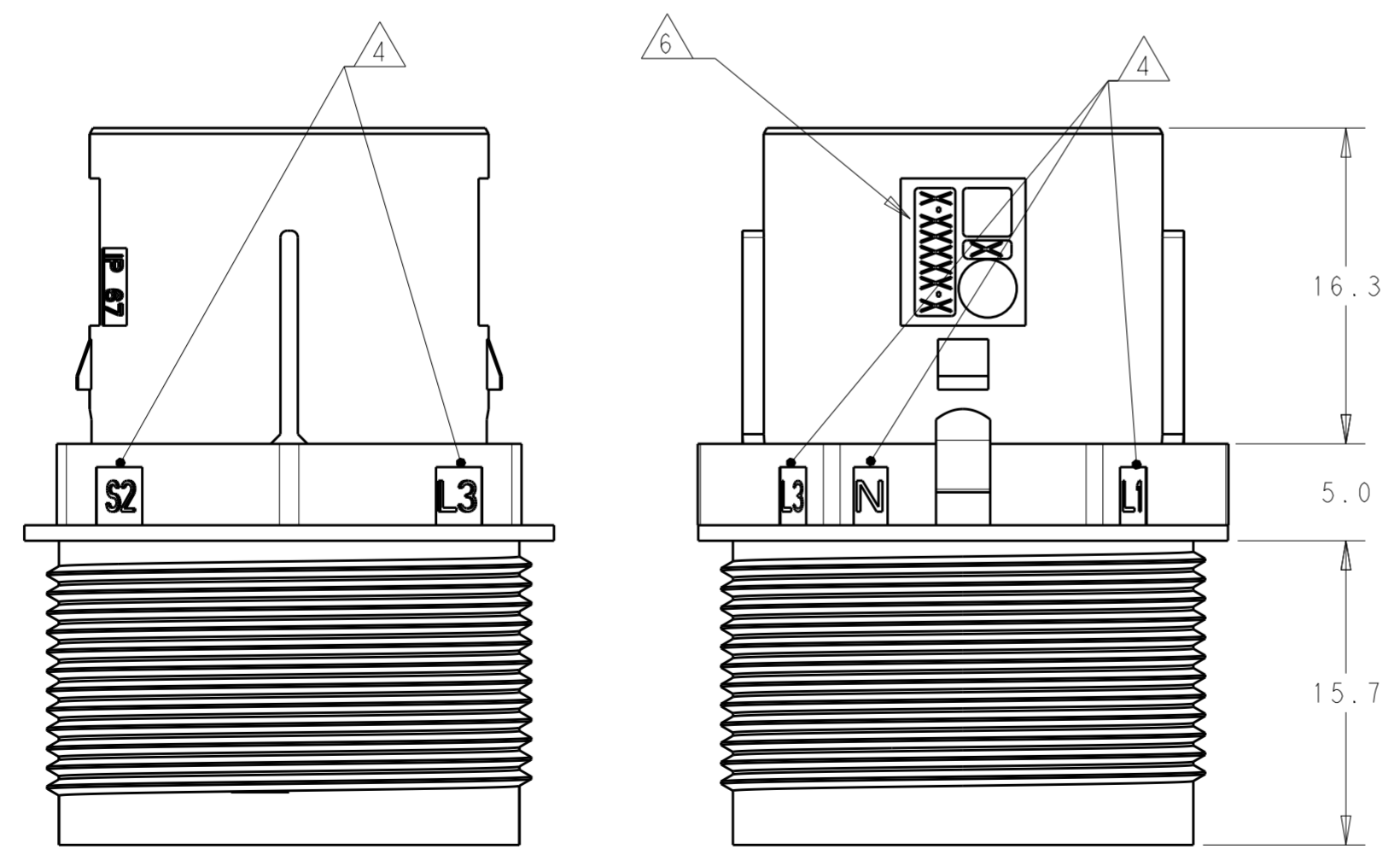
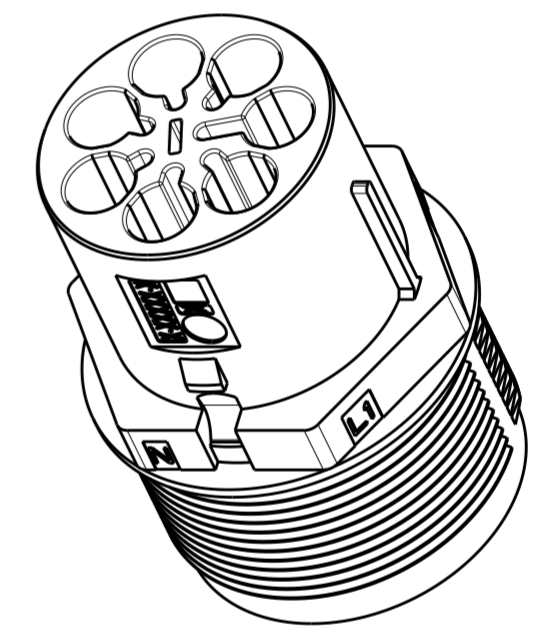
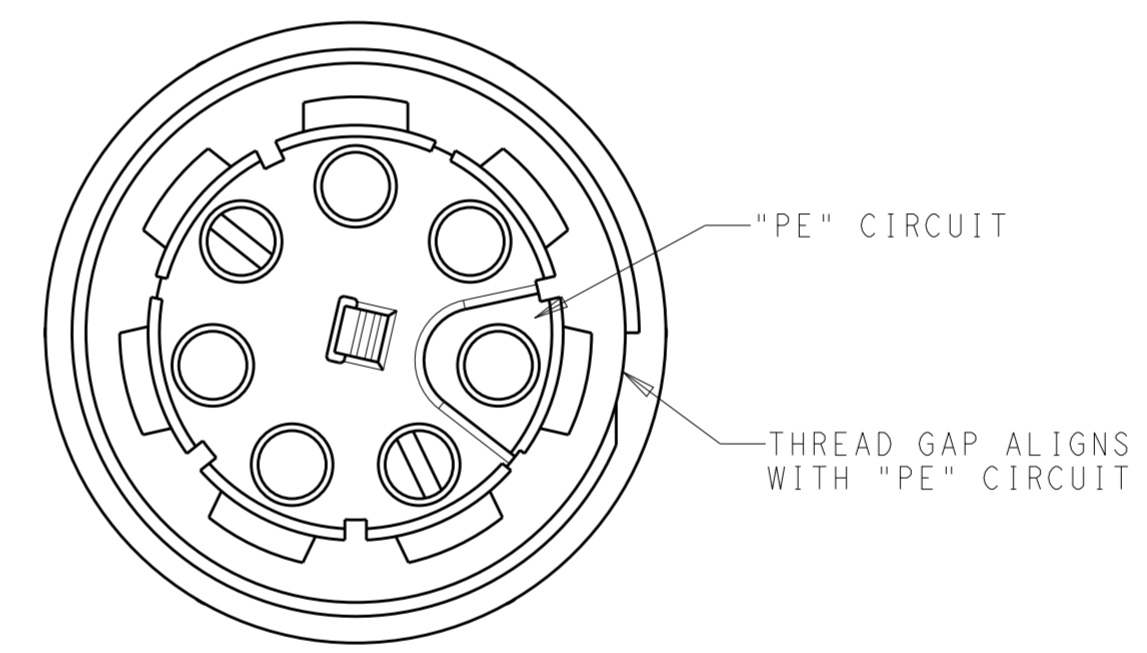
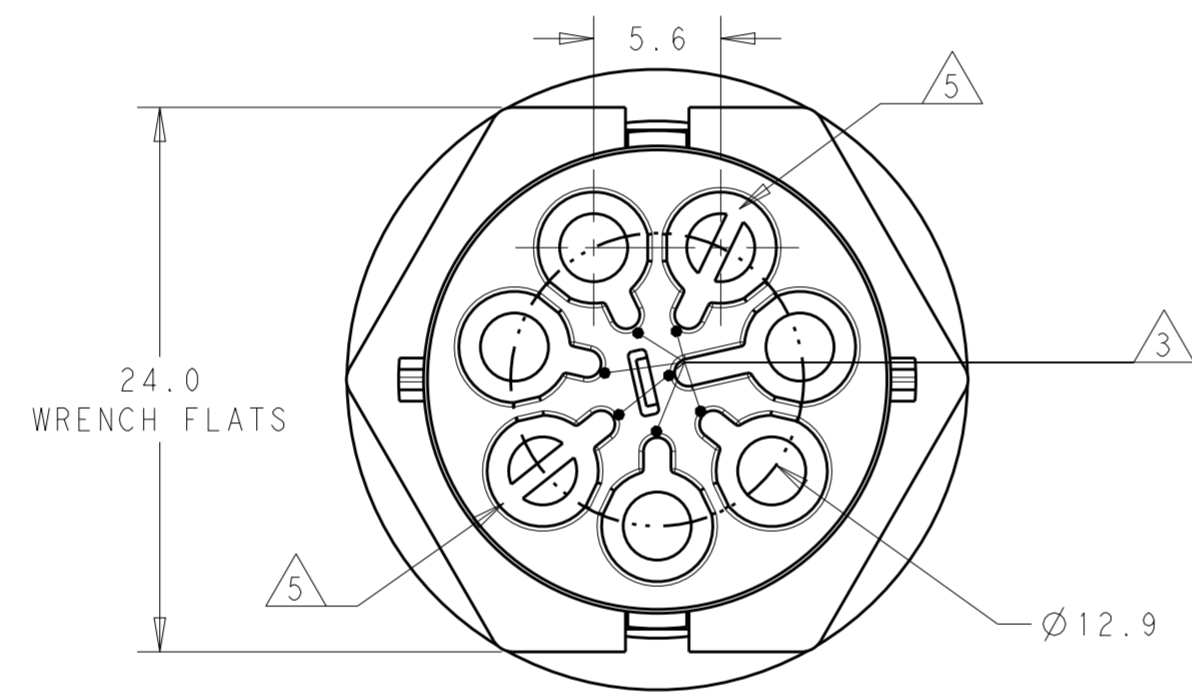


REVISIONS				
P	LTR	DESCRIPTION	DATE	APVD
A		REVISED PER ECR-15-008747	12JUN2015	RS JL
A1		ECR-18-006945	02JUL2018	SR MZ



NOTES:

1. MATERIAL: GLASS FILLED PBT, COLOR: BLACK
2. MUST COMPLY WITH DIRECTIVE 2002/95/EC (ROHS)
3. ALL POLARIZATION KEYS SHOWN FOR REF ONLY.
4. CIRCUIT I.D.
5. CIRCUITS "L2" AND "L3" ARE BLOCKED TO PREVENT CONTACT INSTALLATION.
6. TE PART NUMBER
7. TE LOGO



OBSOLETE	E	FREE HANGING PIN. SEALED NECTOR M, 5 POSN	2213228-5
	D	FREE HANGING PIN. SEALED NECTOR M, 5 POSN	2213228-4
	C	FREE HANGING PIN. SEALED NECTOR M, 5 POSN	2213228-3
	B	FREE HANGING PIN. SEALED NECTOR M, 5 POSN	2213228-2
	A	FREE HANGING PIN. SEALED NECTOR M, 5 POSN	2213228-1
	POLARIZATION TYPE	DESCRIPTION	PART NUMBER

THIS DRAWING IS A CONTROLLED DOCUMENT.		DWN J. SHAFFER 16 JAN 2014	STE TE Connectivity	
DIMENSIONS: mm		CHK M. LUKSIC 16 JAN 2014		
TOLERANCES UNLESS OTHERWISE SPECIFIED:		APVD M. LUKSIC 16 JAN 2014	NAME FREE HANGING PIN HOUSING: SEALED NECTOR M-LINE, 5 POSN	
0 PLC	±	PRODUCT SPEC 108-133014	SIZE A2	
1 PLC	±0.2	APPLICATION SPEC 114-32111	CAGE CODE -	DRAWING NO G-2213228
2 PLC	±0.13	WEIGHT -	RESTRICTED TO -	
3 PLC	±		SCALE 1:1	SHEET 1 OF 2
4 PLC	±			REV A1
ANGLES	±			
FINISH	±			
MATERIAL NOTE 1	-	Customer Drawing		

THIS DRAWING IS UNPUBLISHED. RELEASED FOR PUBLICATION 20
 © COPYRIGHT 20 BY - ALL RIGHTS RESERVED.

REVISIONS				
P	LTR	DESCRIPTION	DATE	APVD
-		SEE SHEET 1	-	-

POLARIZATION TYPES		
POLARIZATION TYPE "A"	POLARIZATION TYPE "B"	POLARIZATION TYPE "C"
PN: 2213228-1	PN: 2213228-2	PN: 2213228-3
POLARIZATION TYPE "D"	POLARIZATION TYPE "E"	
PN: 2213228-4	PN: 2213228-5	

THIS DRAWING IS A CONTROLLED DOCUMENT.		DWN J. SHAFFER 16 JAN 2014	TE Connectivity	
		CHK M. LUKSIC 16 JAN 2014		
		APVD M. LUKSIC 16 JAN 2014	NAME FREE HANGING PIN HOUSING: SEALED NECTOR M-LINE, 5 POSN	
DIMENSIONS: mm		PRODUCT SPEC 108-133014	RESTRICTED TO	
TOLERANCES UNLESS OTHERWISE SPECIFIED: 0 PLC ± 1 PLC ±0.2 2 PLC ±0.13 3 PLC ± 4 PLC ± ANGLES ± FINISH		APPLICATION SPEC 114-32111	SIZE A2	CAGE CODE -
MATERIAL NOTE 1		WEIGHT -	DRAWING NO C-2213228	SCALE 1:1
		Customer Drawing	SHEET 2 OF 2	REV A1

单击下面可查看定价，库存，交付和生命周期等信息

[>>TE Connectivity\(泰科\)](#)