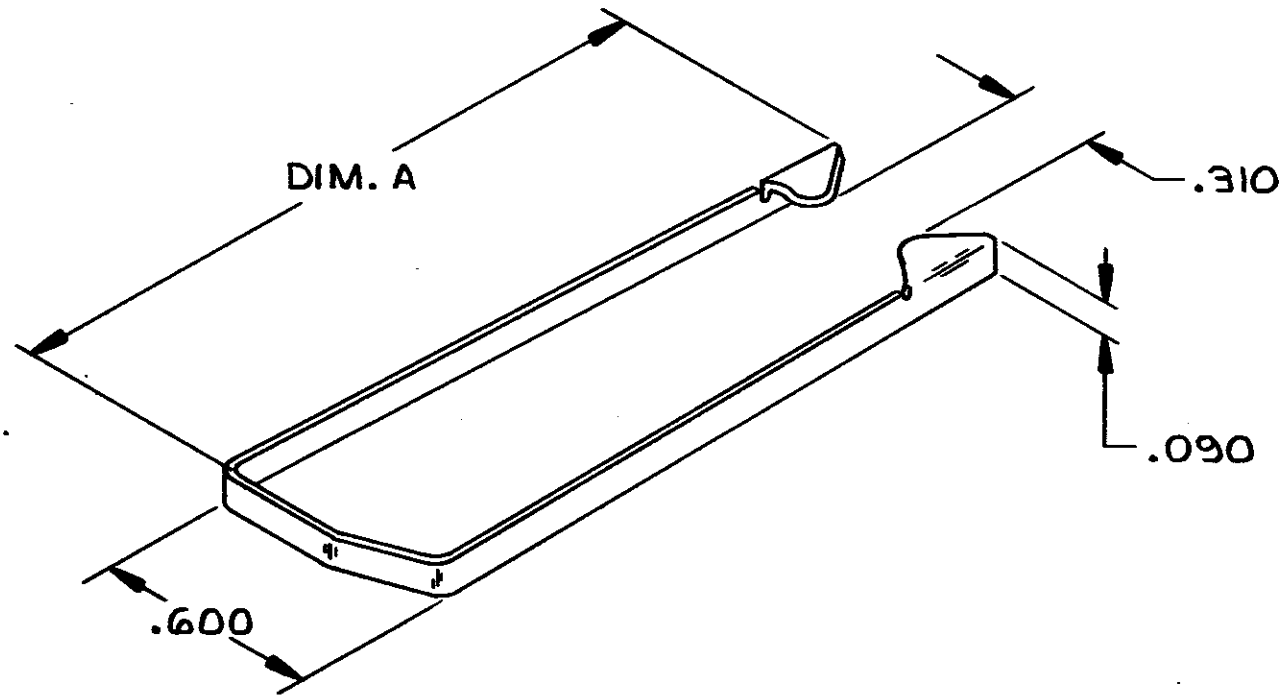



REVISIONS						
P	F	ZONE	LTR	DESCRIPTION	DATE	APPROVED
			A1	REVISED PER ECO-11-005294	12APR11	HMR



1. ALL DIMENSIONS SHOWN ARE FOR REFERENCE ONLY UNLESS OTHERWISE SPECIFIED.

2 MATERIAL: PASSIVATED STAINLESS STEEL.

64	1.820	552723-3
14 & 24	.857	552723-2
36 & 50	1.338	552723-1
POSITIONS	DIM. A	PART NO

UNLESS OTHERWISE SPECIFIED DIMENSIONS ARE IN INCHES. TOLERANCES ON: DECIMALS ± #/100 ANGLES ± #/16	CONTRACT NO	 TE Connectivity		
	DR <i>A. Bourne</i> 6-26-80			
	MATERIAL	CHK <i>MD/mw</i> 6-27-80	NAME	
	2	APPD <i>B. White</i> 7/9/80 APPD <i>Womell</i> 7/9/80	LATCH, LOCKING, CHAMP-LOK	
FINISH	DSGN APPD	SIZE	CODE IDENT NO	DRAWING NO
2	OTHER APPD	B	00779	552723
		SCALE 2/1	SHEET 1 OF 1	

B WAS 1228-77-8-1420

D

A

D

C

B

A

CUSTOMER DRAWING

单击下面可查看定价，库存，交付和生命周期等信息

[>>TE Connectivity\(泰科\)](#)