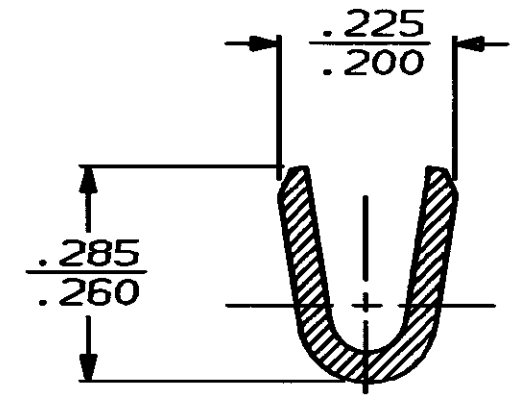
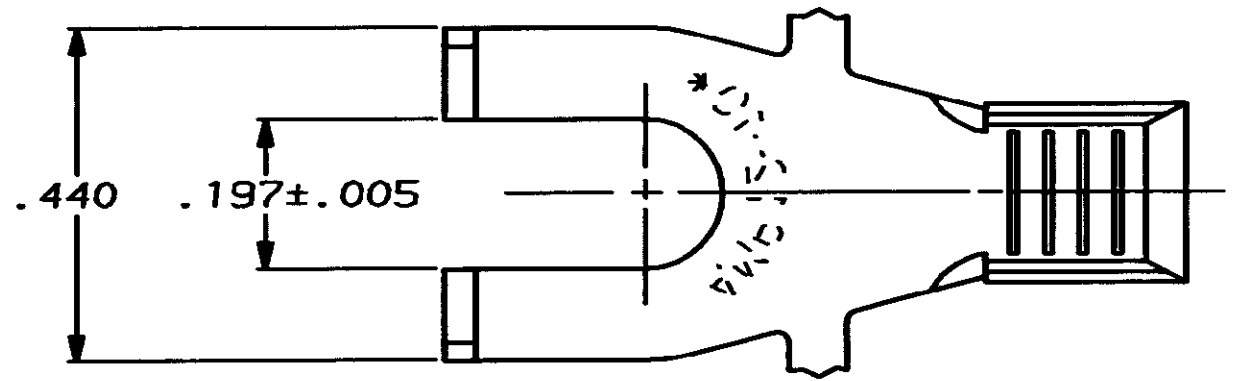


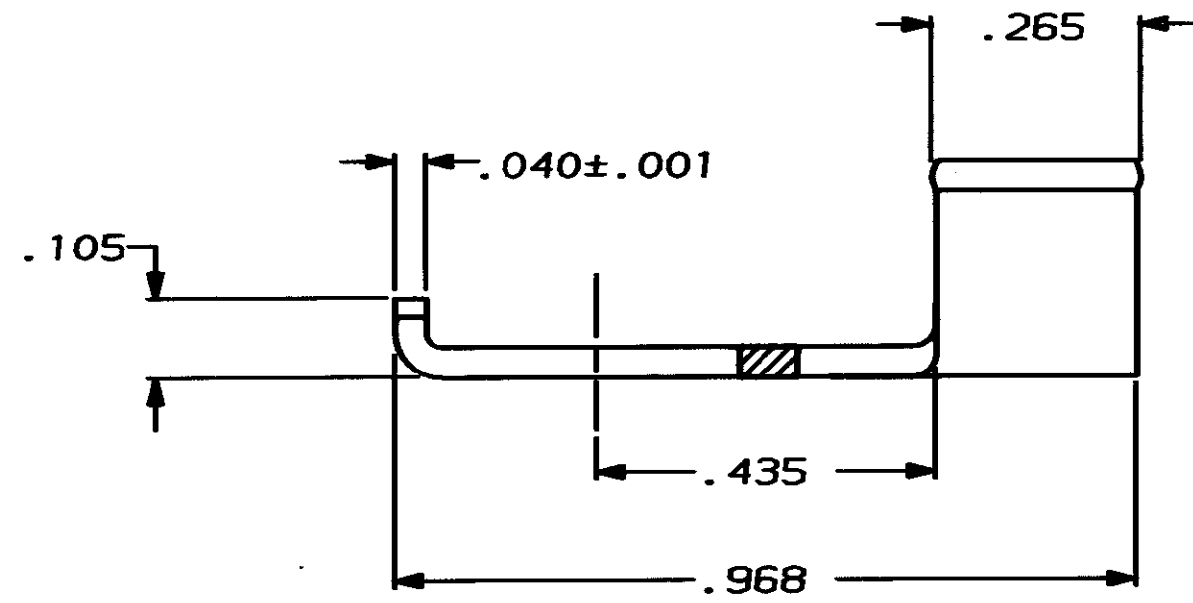
THIS DRAWING IS UNPUBLISHED. RELEASED FOR PUBLICATION ,19 .
 © COPYRIGHT 19 BY AMP INCORPORATED. ALL INTERNATIONAL RIGHTS RESERVED.

LOC		DIST		REVISIONS			DATE	APPD
ZONE	LTR	DESCRIPTION		DATE	APPD			
AF	50	P	F	A	REL PER FASR, REV PER AF-6189	6/19/89	PWF/RPF	

1 CONTINUOUS STRIP ON REELS



SECTION A-A



	#10	12-10	63526-1	
	STUD SIZE	WIRE SIZE	PART NO	
.288	F	.180	.149	10
			.134	12
STRIP LENGTH ±.015	TYPE	WIDTH	±.002 HEIGHT	WIRE
WIRE BARREL CRIMP				
DO NOT SCALE PRINT. UNLESS SPECIFIED DIMENSIONS IN INCHES TOLERANCES ON: 2 PLC DEC ± - 3 PLC DEC ± .010 ANGLES ± -				
MATERIAL #1 HARD BRASS				
FINISH -				
DR P FORTNEY 2/22/89 CHK JR RUTH 2/25/89 APPD D DECKER 2/27/89 TL SHUTTER 2/27/89 PRODUCT SPEC - APPLICATION SPEC - WEIGHT -				
AMP INCORPORATED Harrisburg, Pa. 17105			TERMINAL, FLANGED SPADE	
SIZE B	FSC# NO 00779	DRAWING NO 63526		
SCALE 4:1	SHEET 1 OF 1			

CUSTOMER DRAWING

单击下面可查看定价，库存，交付和生命周期等信息

[>>TE Connectivity\(泰科\)](#)