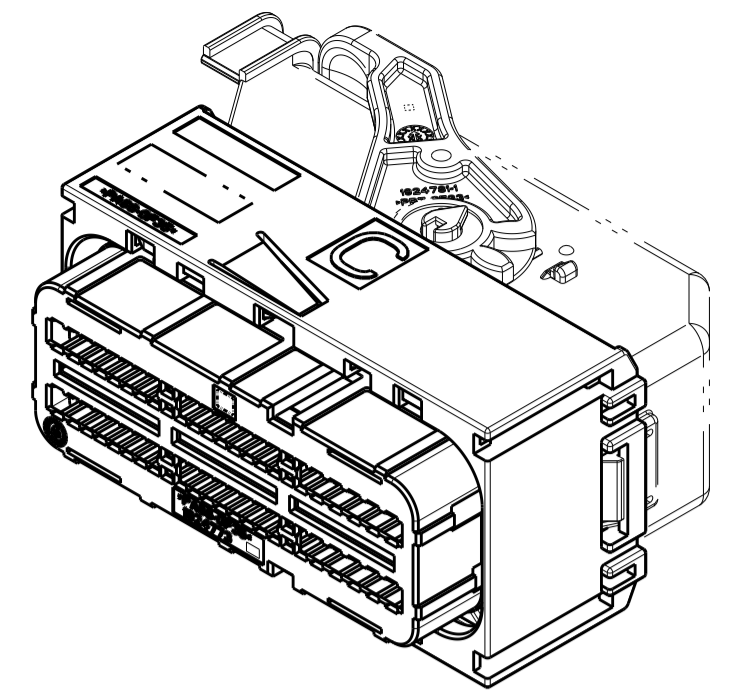
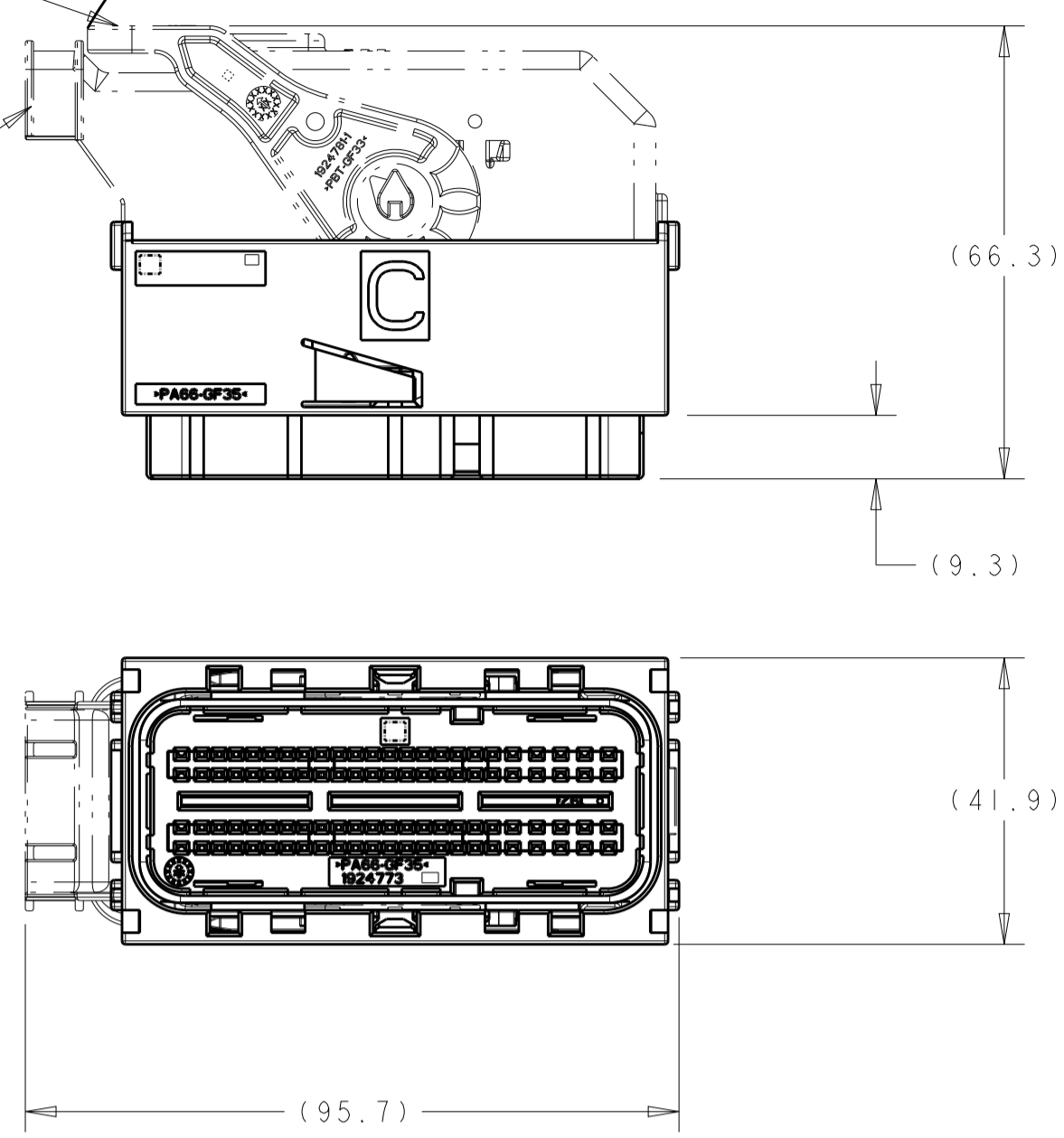


REVISIONS				
P.	LTN	DESCRIPTION	DATE	OWN APVD
C		REVISED PER ECO-16-005492	11APR2016	DLD WEM
C1		REVISED PER ECO-16-010315	12JUL2016	DLD WEM
C2		REVISED PER ECO-17-010568	20JUL2017	RGV GM
C3		REVISED PER ECO-19-009349	21JUN2019	JMS HC

LEVER IN LOCKED POSITION

WIRE COVER ASSEMBLY PART NUMBER 1924779-1 MUST BE PURCHASED SEPARATELY



ISOMETRIC VIEW SCALE 1:1

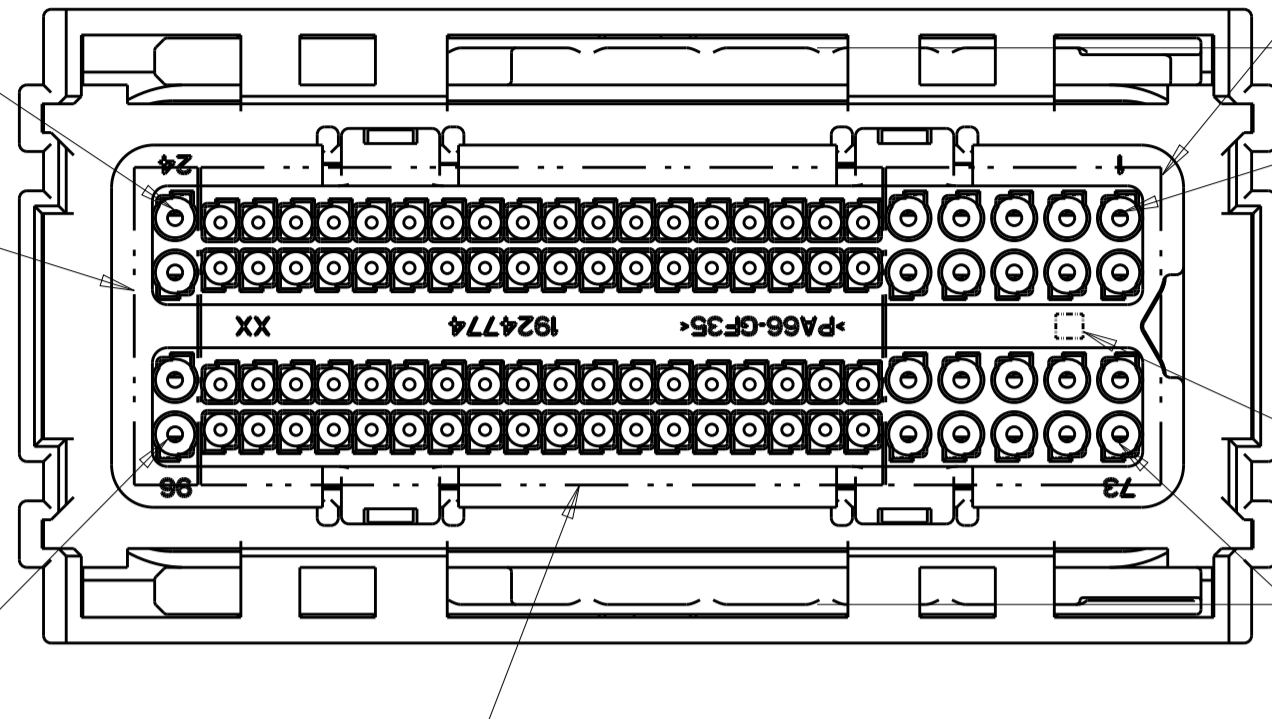
LEFT EXIT PLUG ASSEMBLY SHOWN WITH OPTIONAL WIRE COVER ASSEMBLY (MUST BE PURCHASED SEPARATELY) SCALE 1:1

ACCEPTS 20-16 AWG; 0.5mm²-1.5mm² TERMINALS (USE A WIRE INSULATION O.D. RANGE OF 1.40 TO 2.40mm)

POSITION 24 REF

POSITION 96 REF

2X (7.35)



ACCEPTS 20-16AWG; 0.5mm²-1.5mm² TERMINALS (USE A WIRE INSULATION O.D. RANGE OF 1.40 TO 2.40mm)

POSITION 1 REF

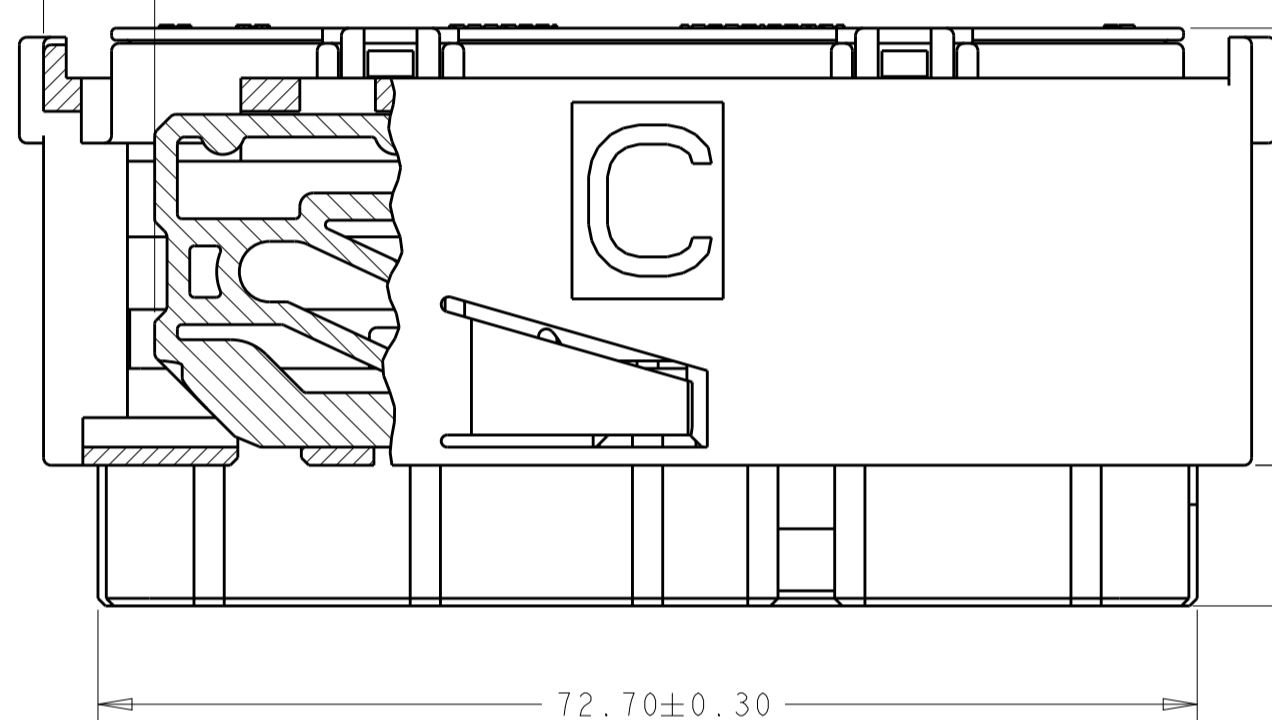
COMPANY LOGO

POSITION 73 REF

(28.90)

9.30±0.70

ACCEPTS 22-18AWG; 0.35mm²-0.75mm² TERMINALS (USE A WIRE INSULATION O.D. RANGE OF 1.20 TO 2.06mm)

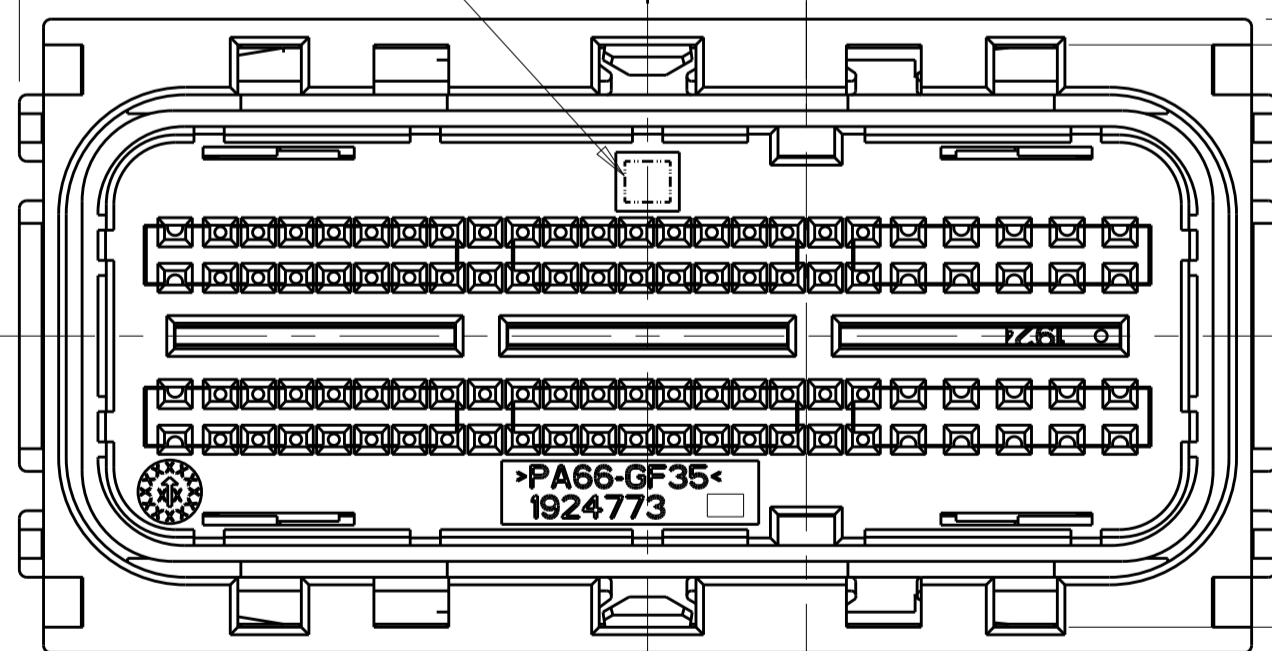


(83.1)

(10.5)

INDEX C LOCATION

COMPANY LOGO

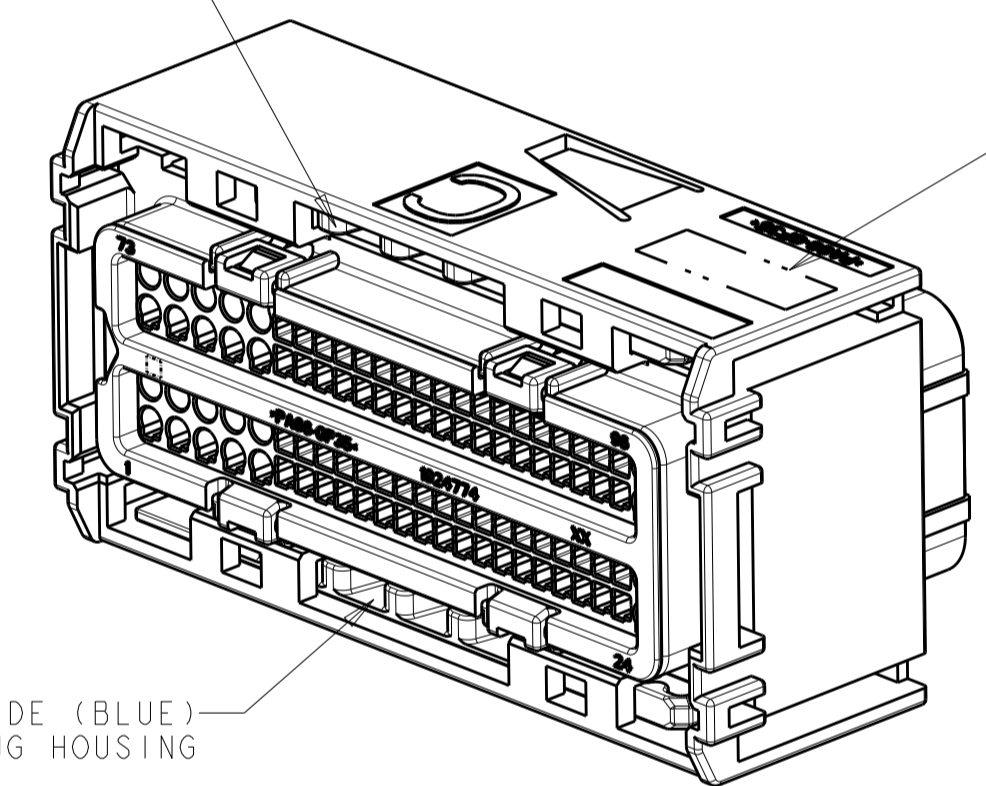


3X 38.5+0.4/-1.0 (41.9)

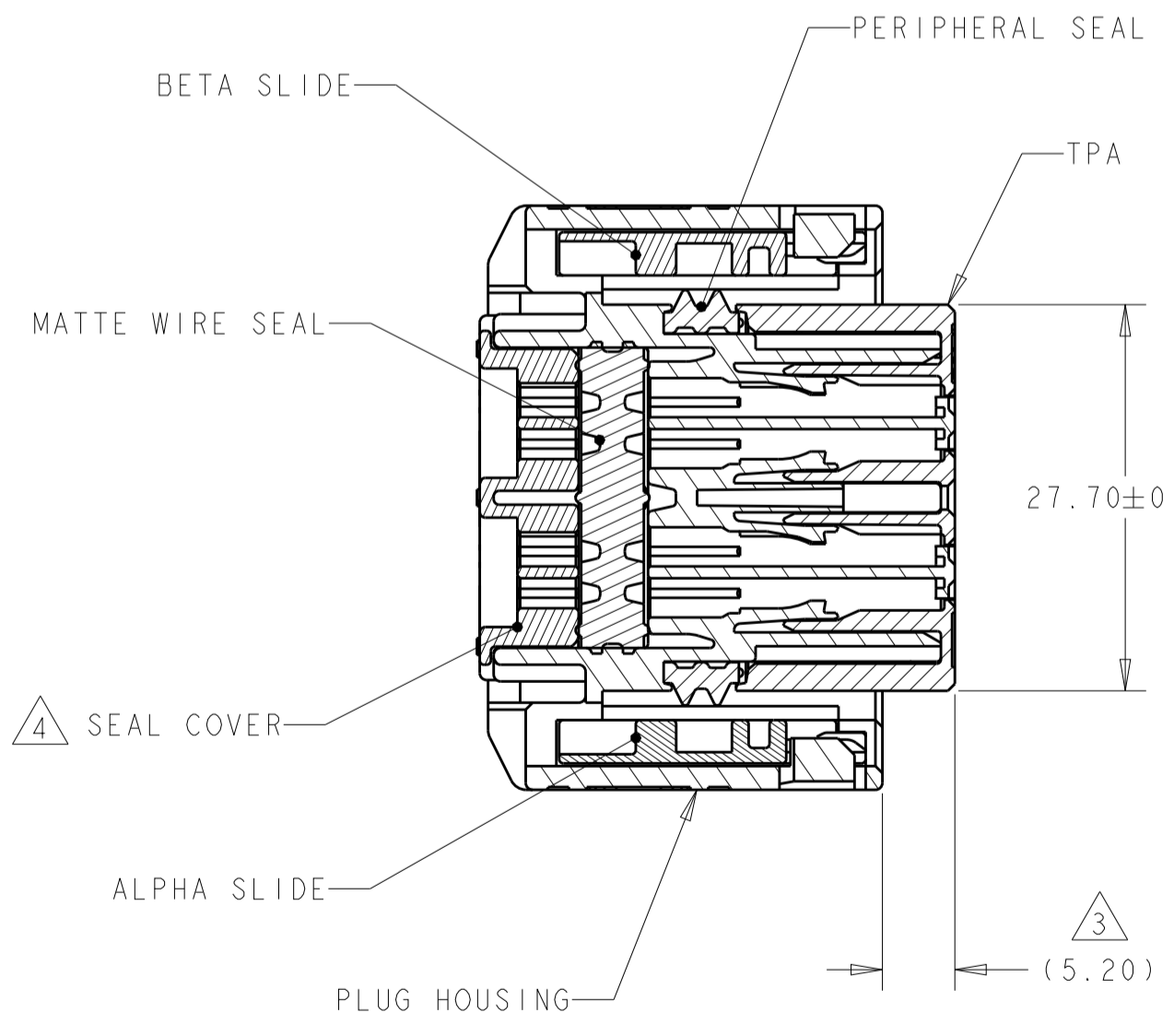
BETA SLIDE (GREEN) C SIDE OF PLUG HOUSING

ASSEMBLY PART NUMBER AND DATE CODE MARKING

ALPHA SLIDE (BLUE) D SIDE OF PLUG HOUSING



(METHOD FOR IDENTIFYING EXIT ORIENTATION)



- PLUG HOUSING AND SEAL COVER: NYLON 6/6, BLACK.
 TPA: NYLON 6/6, COLOR - SEE TABLE.
 MATTE WIRE SEAL: SILICONE, LIGHT BLUE.
 PERIPHERAL SEAL: SILICONE, GREEN.
 ALPHA SLIDE: NYLON 6/6, BLUE.
 BETA SLIDE: NYLON 6/6, GREEN.

- TPA SHOWN IN PRE-LATCHED, AS SHIPPED, POSITION.

- TPA SHOWN IN CLOSED POSITION.

- SEE TABLE ON SHEET 2 FOR SEAL COVER PIN OUT CONFIGURATION.

- PLUG ASSEMBLY MATES WITH TYCO ELECTRONICS INTERFACE DRAWING 1924771-INT, POLARIZATION C.

- PLUG ASSEMBLY WILL ACCEPT THE FOLLOWING GET TERMINAL PART NUMBERS: 1393364-1 (GOLD 22AWG; 0.35mm²)
 1393365-1 (GOLD 18-20AWG; 0.75mm²-0.5mm²)
 1924878-1 (TIN/SILVER 22AWG; 0.35mm²)
 1924879-1 (TIN/SILVER 18-20AWG; 0.75mm²-0.5mm²)
 1924782-1 (TIN/SILVER 1.0mm²)
 1924880-1 (TIN/SILVER 16AWG; 1.5mm²)

- WIRE DRESS ASSEMBLY MUST BE INSTALLED ONTO PLUG ASSEMBLY WITH LEVER IN LOCKED POSITION.

- APPLICATION SPEC'S: 408-10229, 408-10230.

- NOTE DELETED.

- FORCE TO SEAT TPA COMPONENT FROM PRE-SET TO LOCKED (FULLY LOADED W/ TERMINALS) TO BE 83N MAX.

- FORCE TO MOVE TPA FROM FULLY LOCKED TO PRE-SET TO BE 115N MAX. FLAT BLADE SCREWDRIVER SUGGESTED FOR REMOVAL OF TPA.

SEE TABLE, SH 2	TAN	C	1924942-7
SEE TABLE, SH 2	TAN	C	1924942-6
SEE TABLE, SH 2	TAN	C	1924942-5
SEE TABLE, SH 2	TAN	C	1924942-4
SEE TABLE, SH 2	TAN	C	1924942-3
SEE TABLE, SH 2	TAN	C	1924942-2
ALL OPEN	TAN	C	1924942-1
BLOCKED CIRCUITS	TPA COLOR	INDEX REF	PART NUMBER

THIS DRAWING IS A CONTROLLED DOCUMENT.

OWN: D. J. HARDY 29NOV2007
 CHK: A. J. VASBINDER 03DEC2007
 APVD: A. J. VASBINDER 03DEC2007

DIMENSIONS: mm
 TOLERANCES UNLESS OTHERWISE SPECIFIED:
 0 PLC ±
 1 PLC ±0.25
 2 PLC ±
 3 PLC ±
 4 PLC ±
 ANGLES ±
 FINISH

MATERIAL:

WEIGHT:

CUSTOMER DRAWING

NAME: PLUG ASSEMBLY, 96 POSITION, INDEX C - LEFT EXIT, SEALED, GPEC 11

SIZE: A1
 CAGE CODE: 100779
 DRAWING NO: 1924942

RESTRICTED TO:

SCALE: 2:1 SHEET 1 OF 2 REV: C3

单击下面可查看定价，库存，交付和生命周期等信息

[>>TE Connectivity\(泰科\)](#)