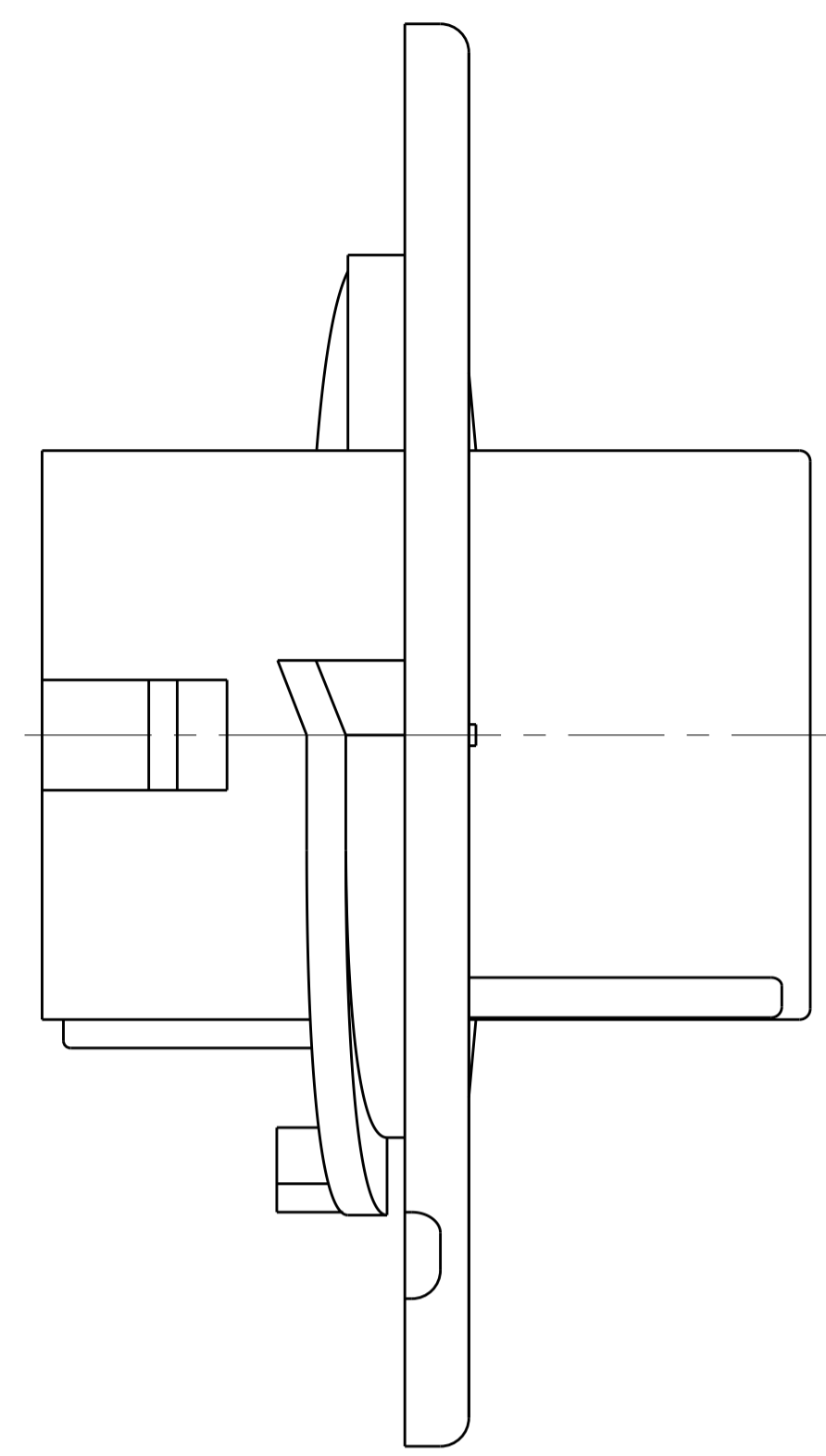
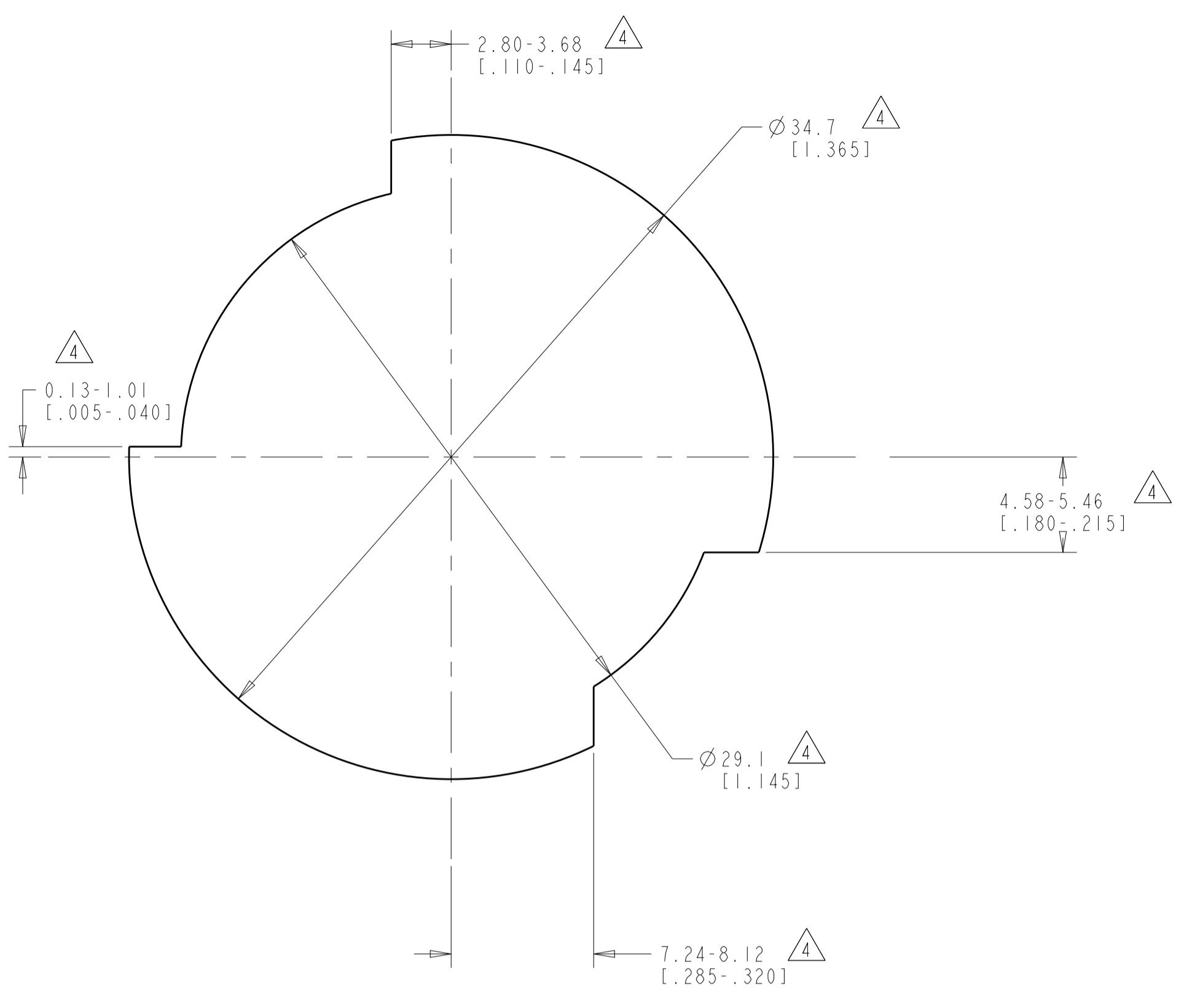
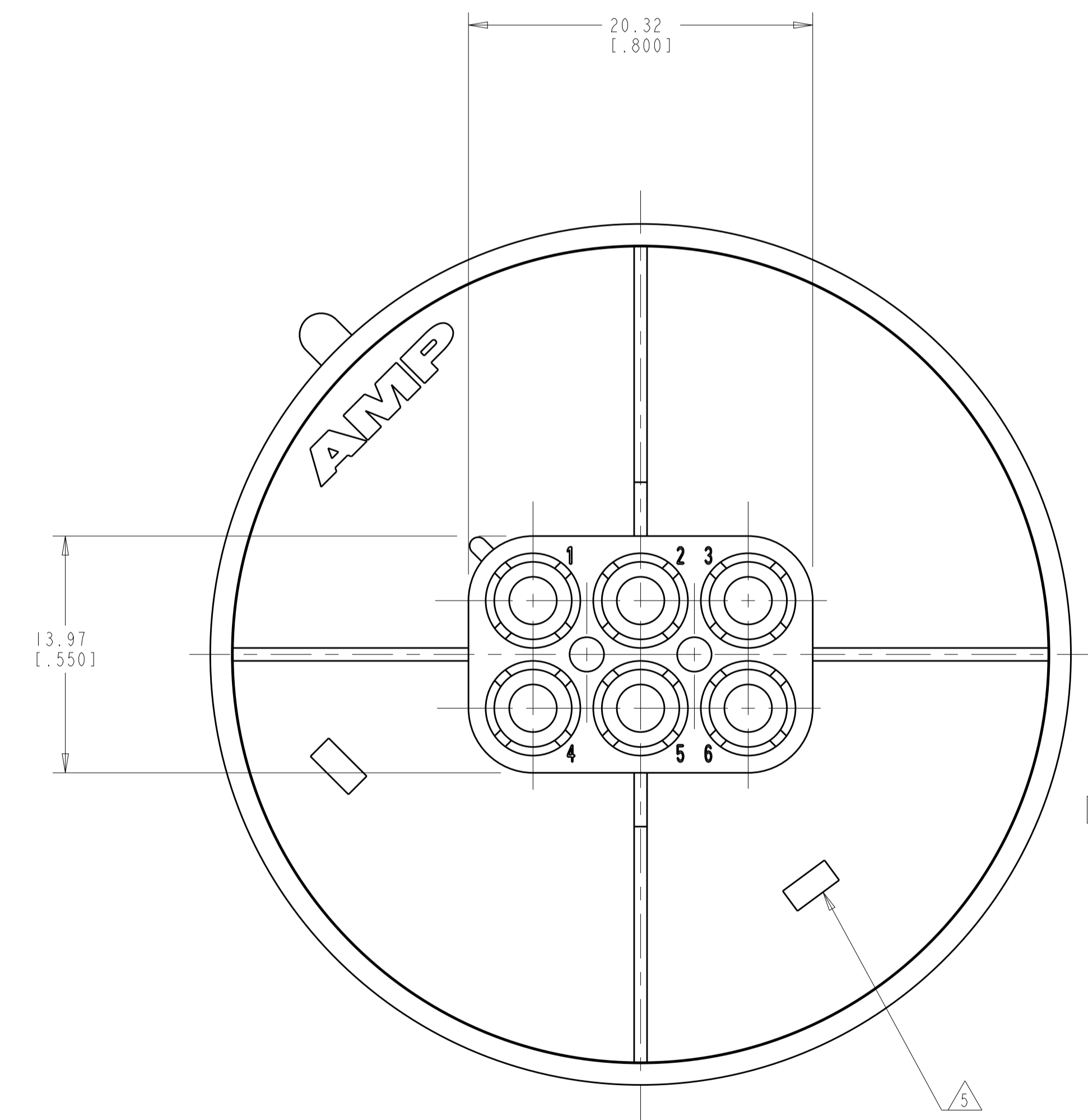
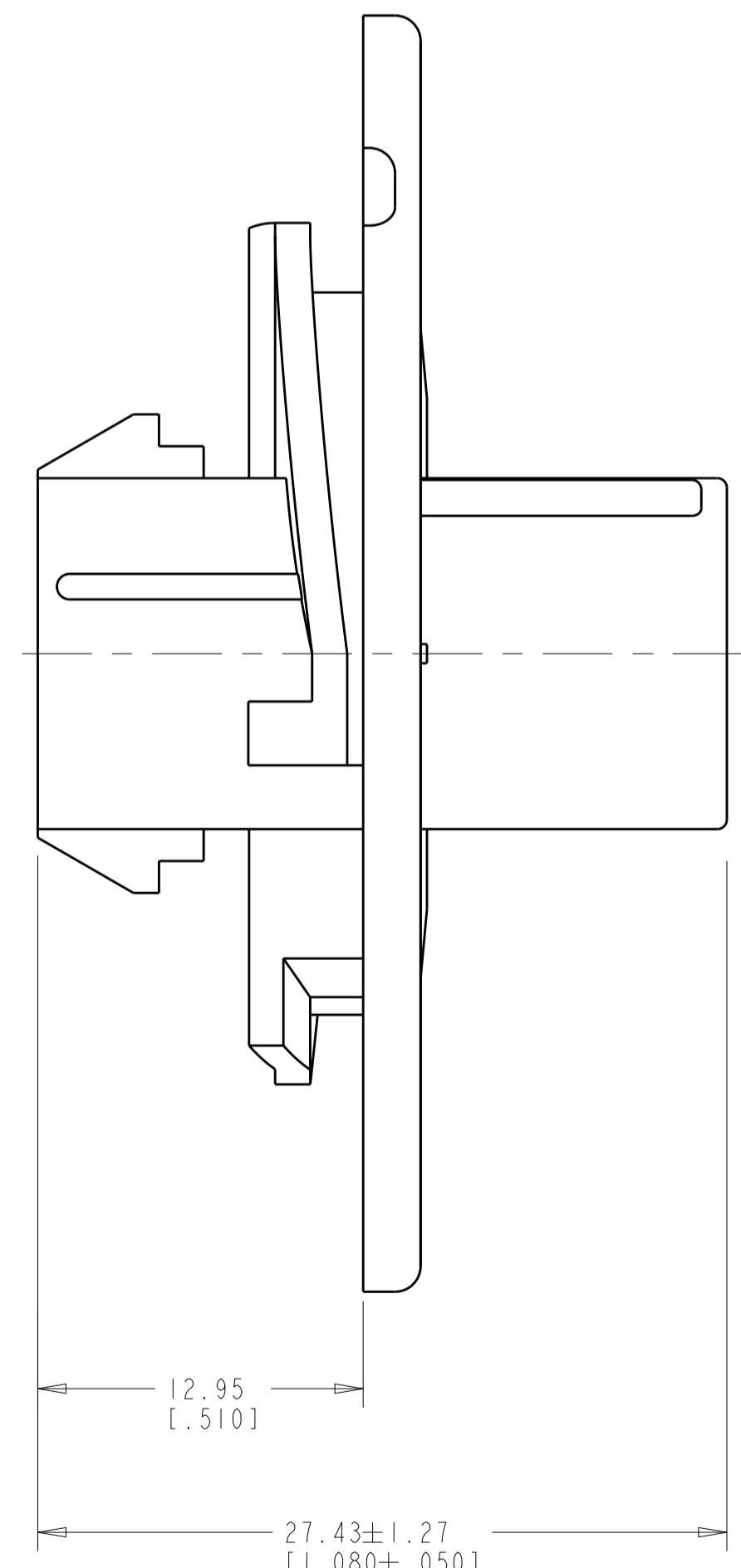
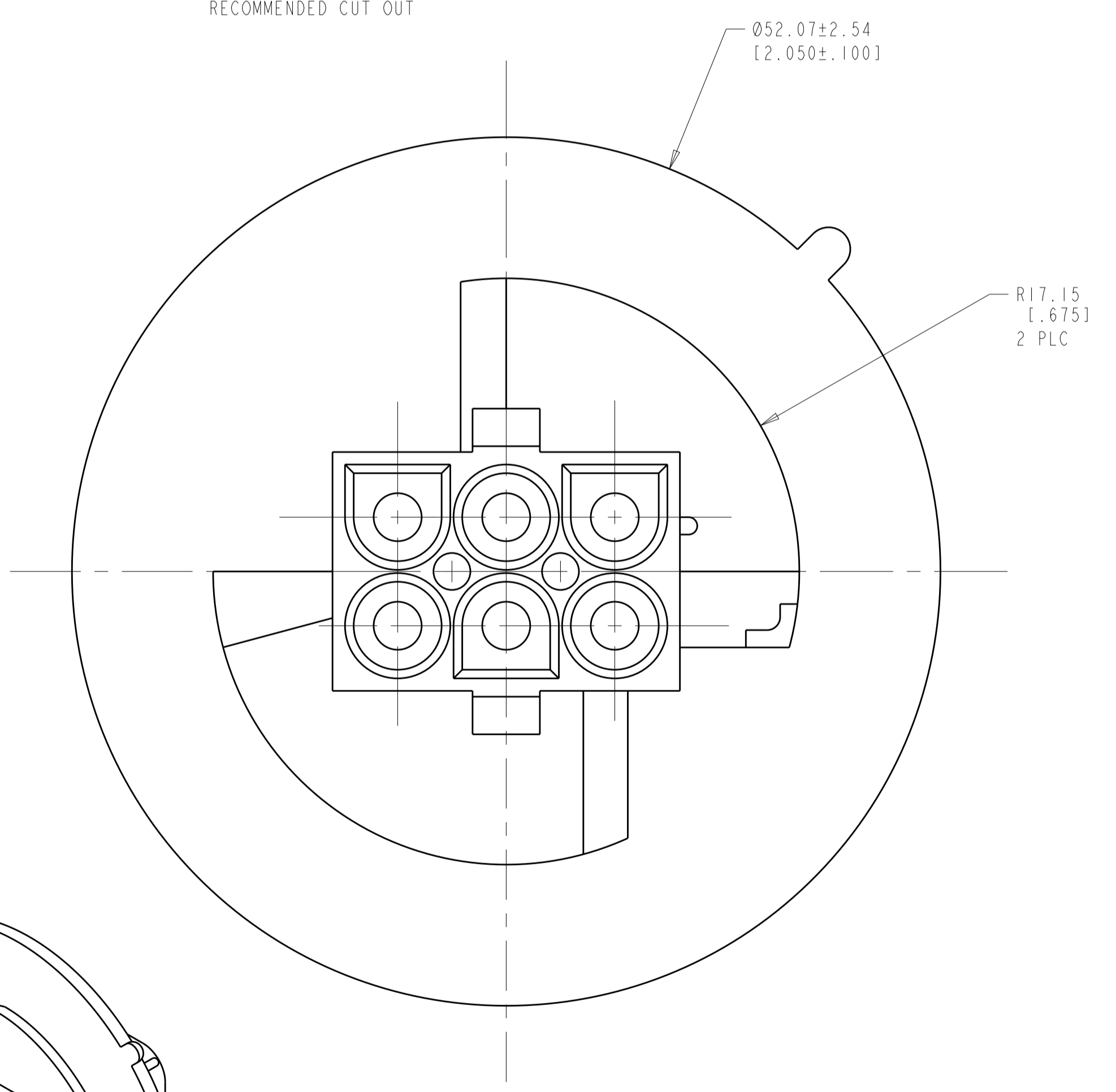


LOC	DIST	REVISIONS			
P	LTN	DESCRIPTION	DATE	DWN	APVD
M		REVISED PER ECR-17-015775	03NOV2017	BDA	KR

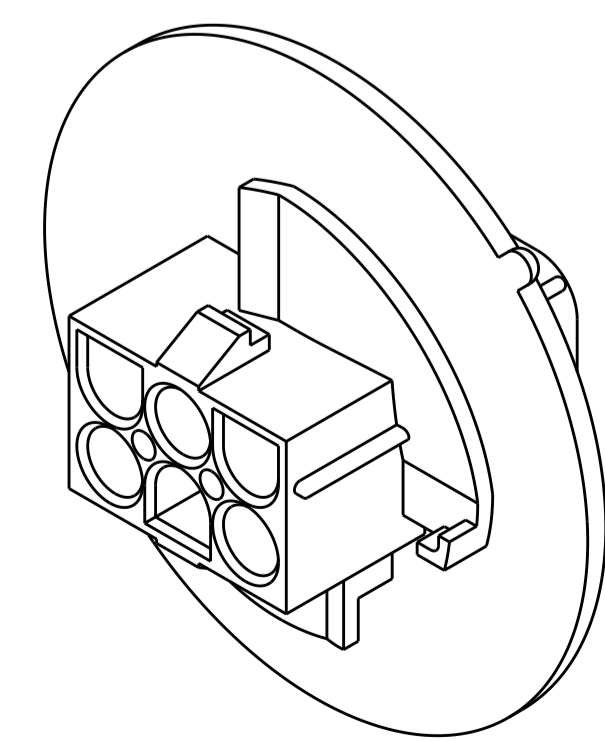


- MATES WITH APPROPRIATE UNIVERSAL MATE-N-LOK™ PLUG.
- RECOMMENDED PANEL THICKNESS 0.76 - 2.29 [0.030 - .090].
- PANEL MUST BE PUNCHED SO THAT THE HOUSING ENTERS THE PANEL IN THE SAME DIRECTION AS THE PUNCH.
- DIMENSIONS INDICATED ARE REFERENCE. ADDITIONAL GROWTH DUE TO SUBSEQUENT MOISTURE ABSORPTION MAY OCCUR.
- NOTE DELETED.
- UL AND CSA LOGOS LOCATED APPROXIMATELY AS SHOWN

RECOMMENDED CUT OUT



SUPERSEDED BY	COLOR	PART NUMBER
1586887-1	NATURAL	9-794714-0
	BLACK	1-794714-9
	GRAY	1-794714-8
	BLUE	1-794714-6
	GREEN	1-794714-5
	YELLOW	1-794714-4
	ORANGE	1-794714-3
794714-3	RED	1-794714-2
	BROWN	1-794714-1
	RED	794714-3
	NATURAL	794714-1
	COLOR	PART NUMBER



3-DIMENSIONAL MODEL SCALE 2:1

THIS DRAWING IS A CONTROLLED DOCUMENT.

DIMENSIONS: mm [INCHES]	TOLERANCES UNLESS OTHERWISE SPECIFIED:	DWN: R. WHITAKER 06-OCT-1999	CHK: M. TRULL 06-OCT-1999	APVD: M. TRULL 06-OCT-1999
0 PLC ±	1 PLC ±	2 PLC ±0.511(.020)	3 PLC ±	4 PLC ±
ANGLES	FINISH	40° 30'	PRODUCT SPEC	
MATERIAL: NYLON UL 94V-2, NATURAL	FINISH		APPLICATION SPEC	
WEIGHT			CUSTOMER DRAWING	

NAME: CAP. 6 CIRCUIT, UNIVERSAL MATE-N-LOK(TM), SPECIAL

SIZE: A1 CAGE CODE: 00779 DRAWING NO: 794714

SCALE: 4:1 SHEET 1 OF 1 REV M

单击下面可查看定价，库存，交付和生命周期等信息

[>>TE Connectivity\(泰科\)](#)