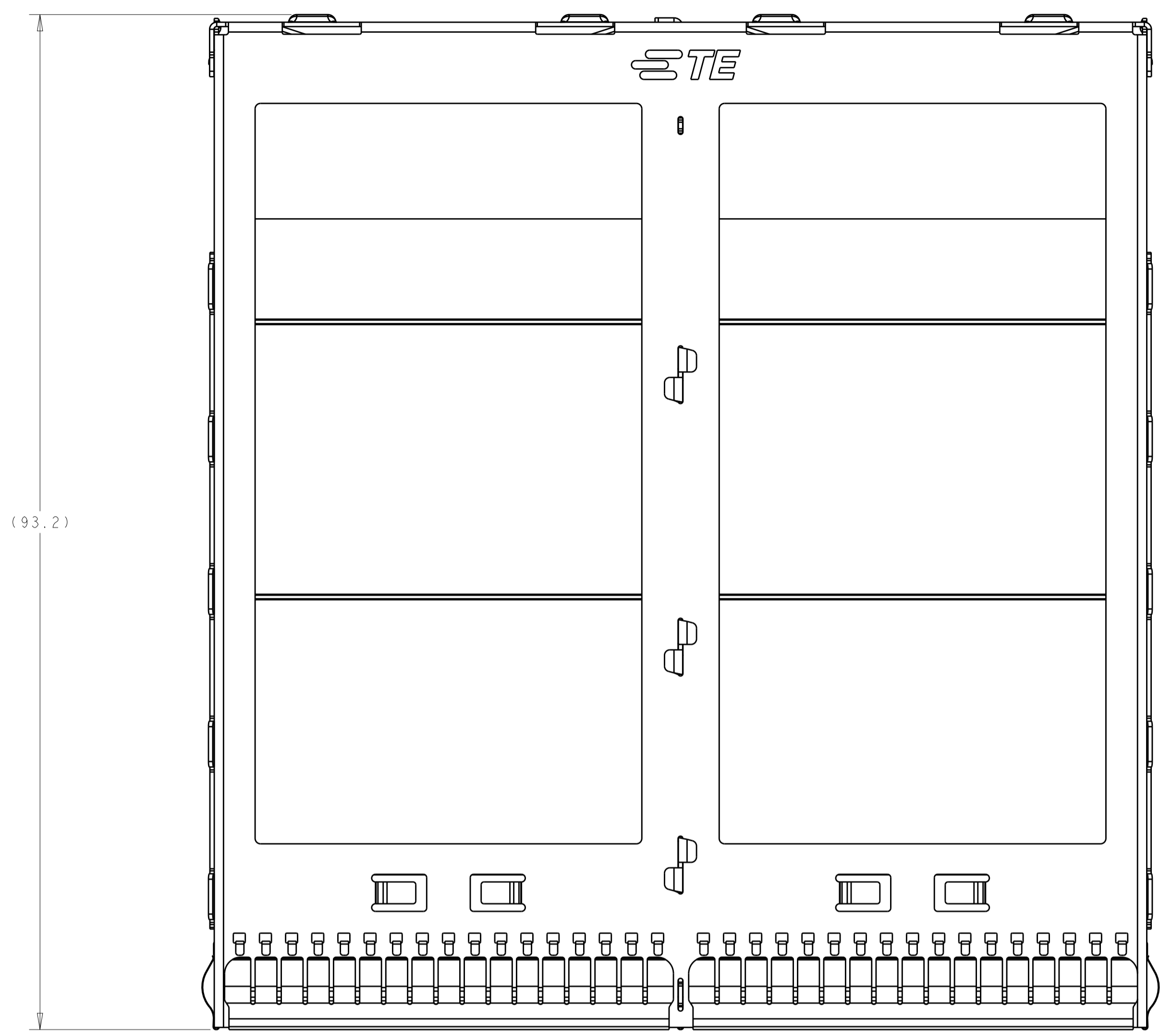
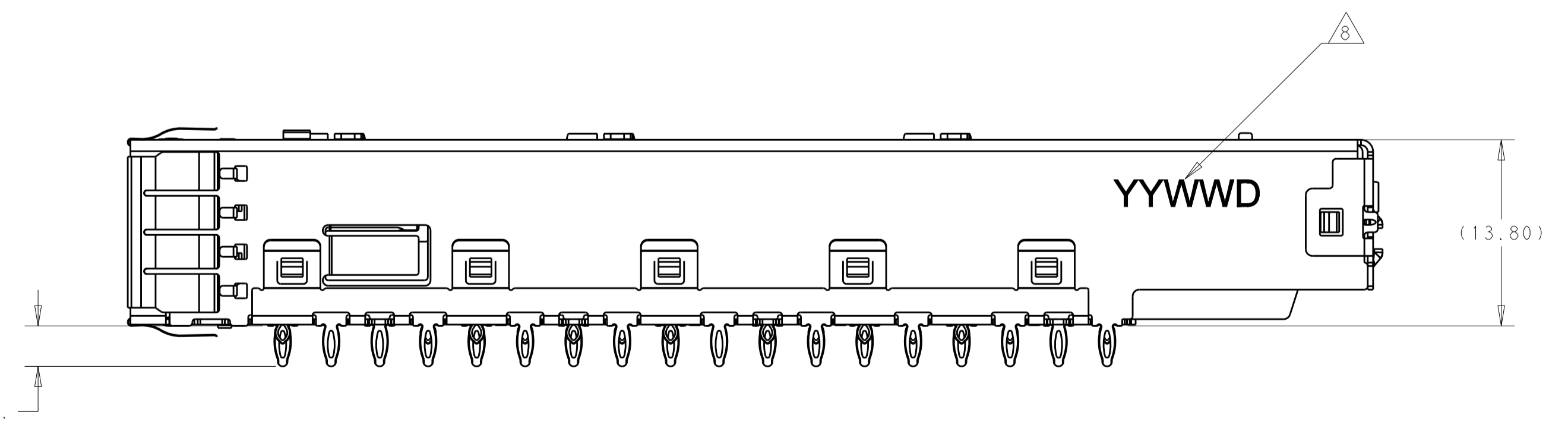
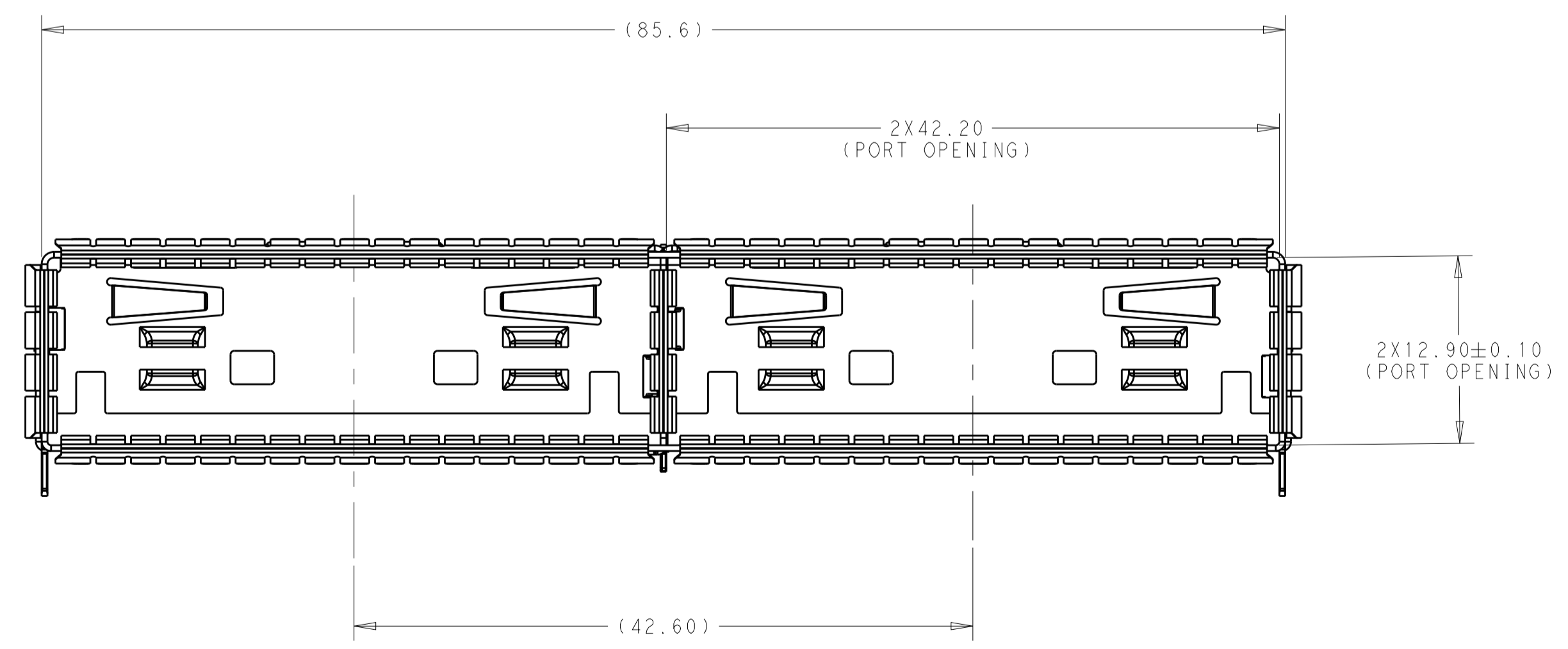
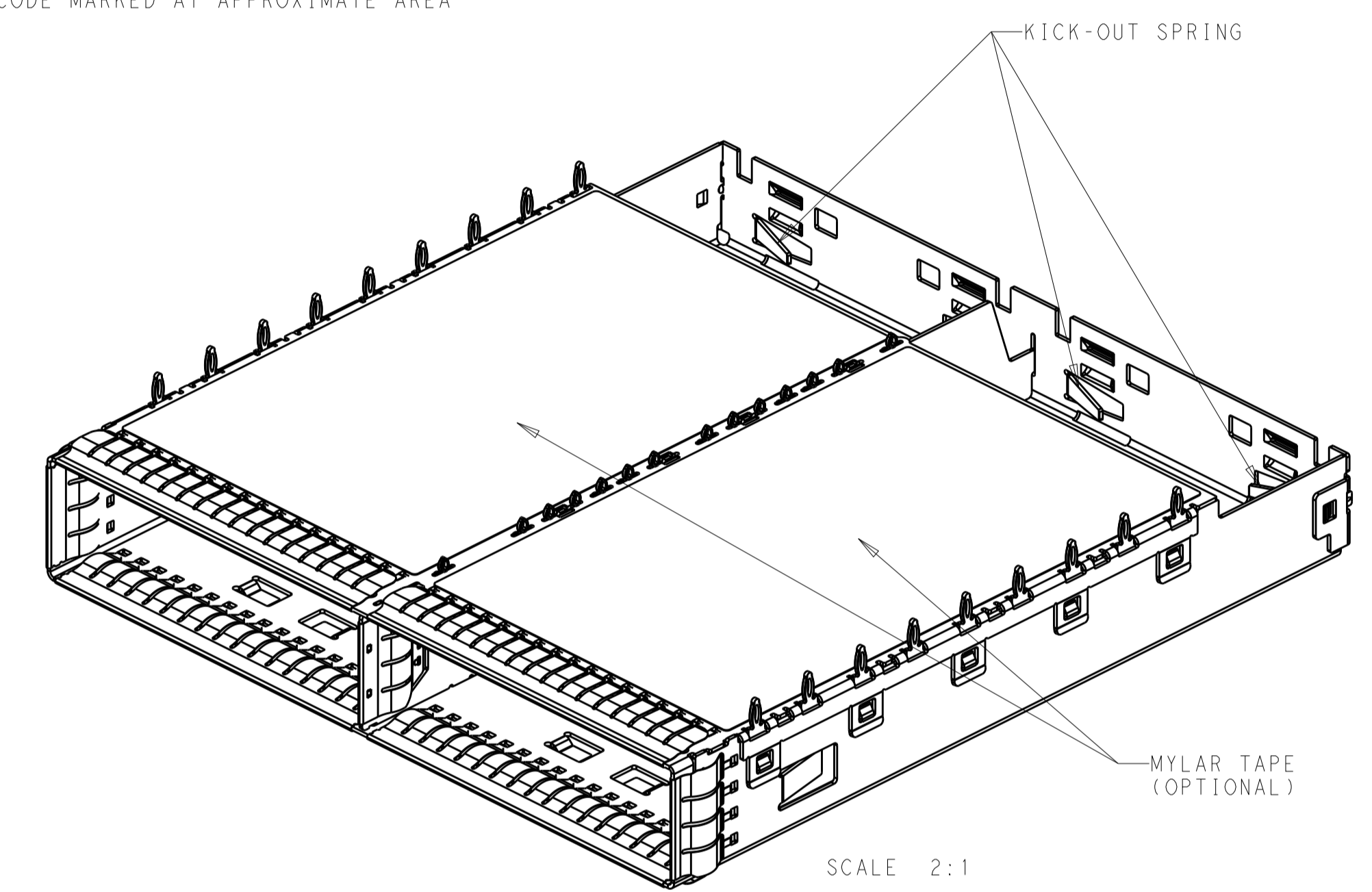


REVISIONS				
P.	LTN	DESCRIPTION	DATE	DWN. APVD.
A		RELEASED FOR MASS PRODUCTION	27AUG2018	TX SH



- 1 MATERIAL : CAGE :0.4MM THICK NICKEL SILVER ALLOY;
EMI SPRING: COPPER ALLOY;
- 2 FINISH: EMI SPRING 1.27um NICKEL PALTING OVER ALL;
3.MATES WITH CFP MSA COMPLIANT TRANSCEIVERS.
- 4 DATUM AND BASIC DIMENSION ESTABLISHED BY CUSTOMER.
5.MINIMUM PC BOARD THICKNESS: SIGLE SIDE APPLICATIONS:2.0mm.
BELLY TO BELLY APPLICAITON:3.0MM
- 6.PADS AND VIAS CHASSIS GROUND;
- 7:REFFERENCE APPLICATION SPEC 114-32146. FOR
RECOMMENDED DRILL HOLE DIAMETER AND PLATING THICKNESS.
- 8:DATE CODE MARKED AT APPROXIMATE AREA

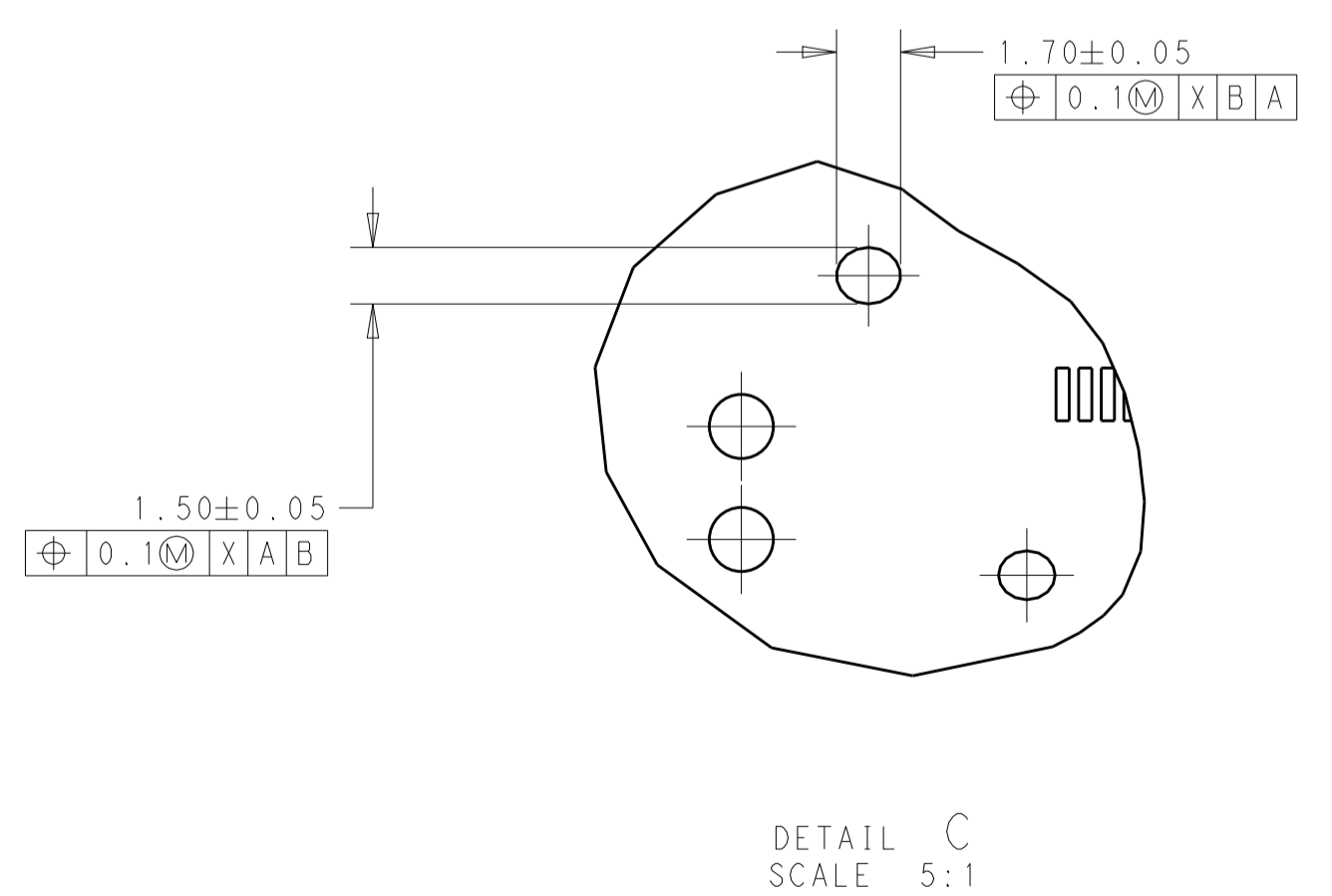
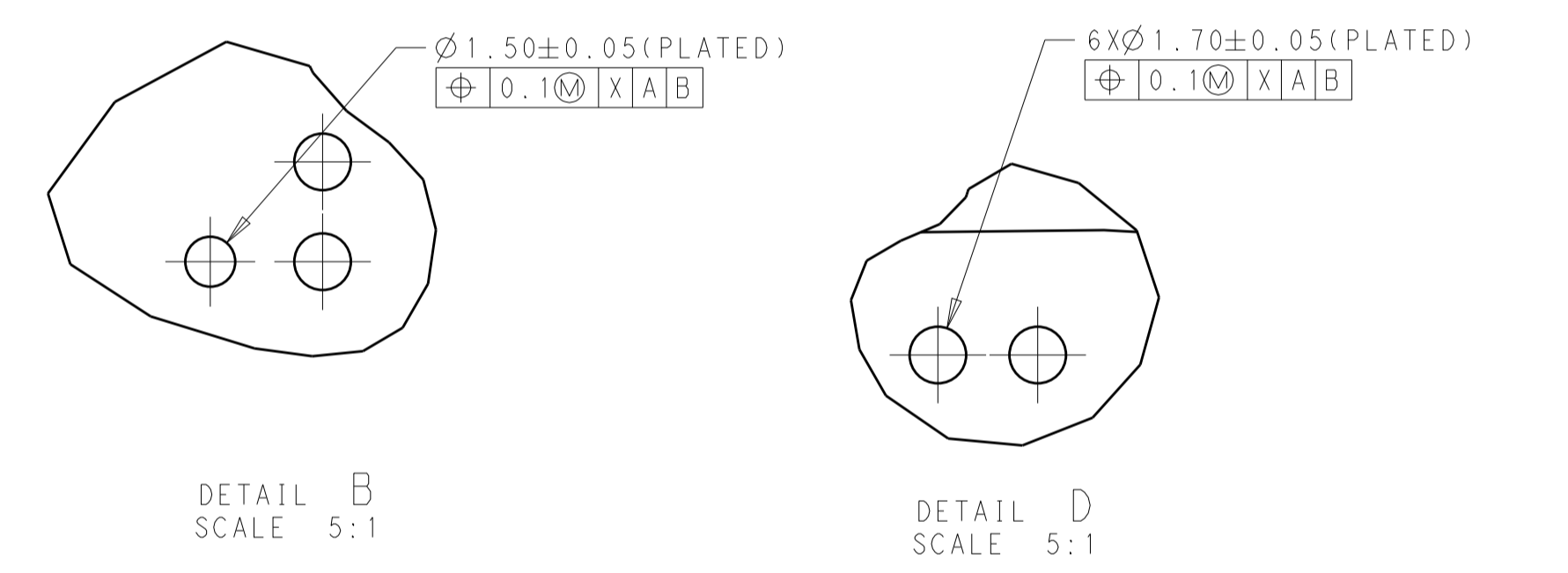
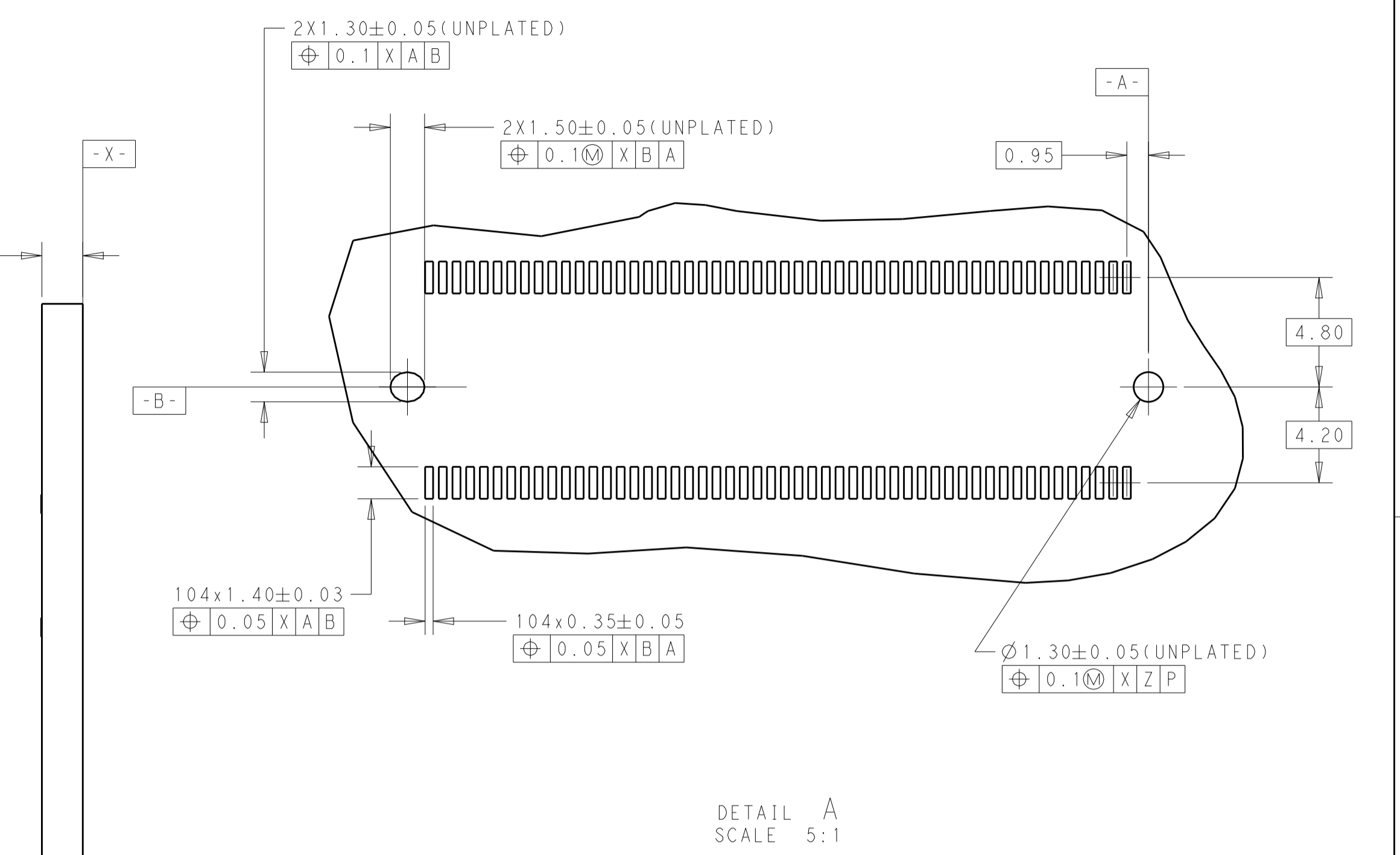
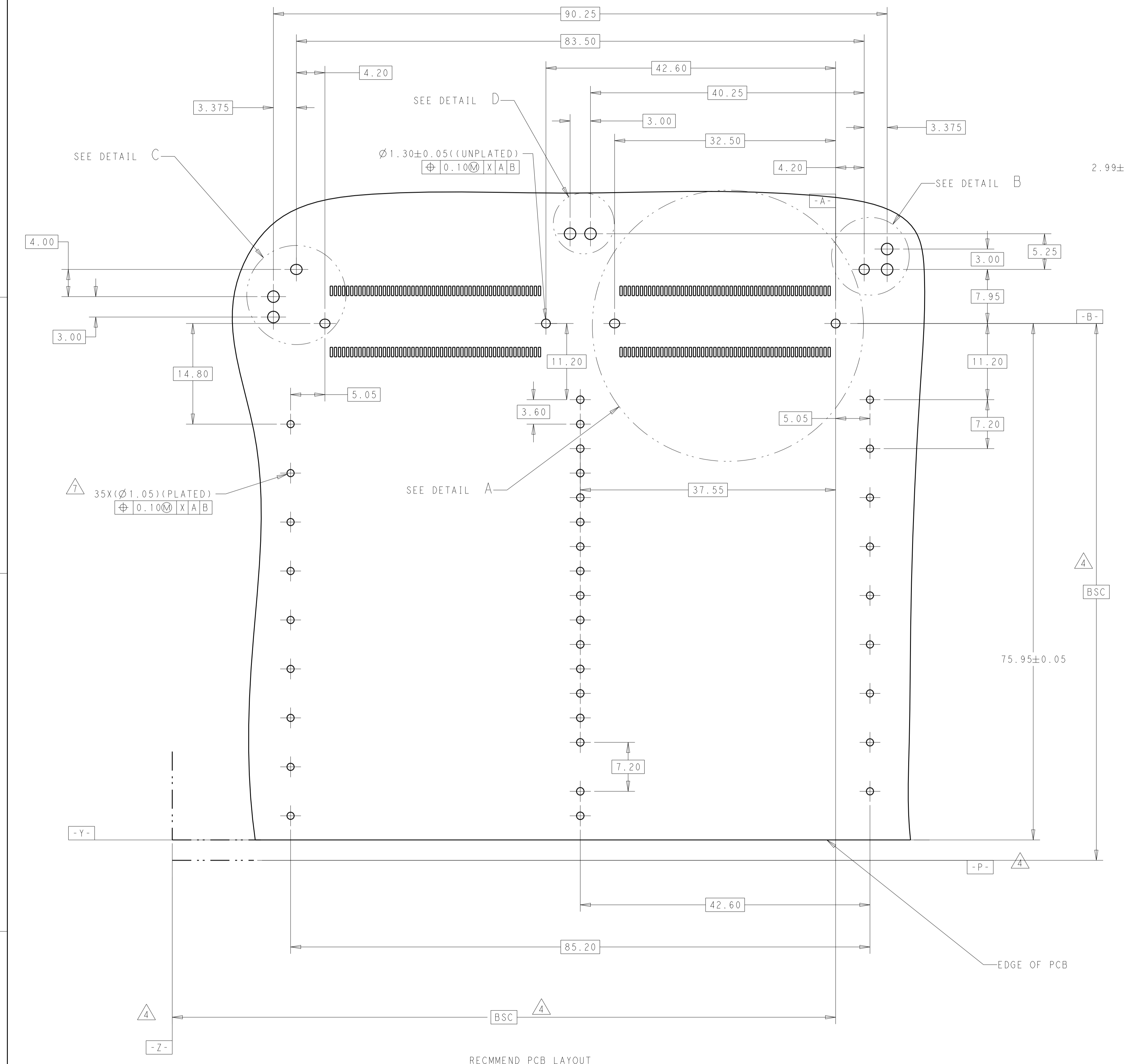


WITHOUT	WITHOUT	2287076-6
WITH	WITH	2287076-4
WITH	WITHOUT	2287076-2
KICK-OUT SPRING	MYLAR TAPE	PART NUMBER

THIS DRAWING IS A CONTROLLED DOCUMENT.		DWN: ANDY.XIE Z1MAR2016	STE TE Connectivity	
DIMENSIONS: mm		CHK: SEAN HAN Z1MAR2016	NAME: CAGE ASSEMBLY CFP2 1X2	
TOLERANCES UNLESS OTHERWISE SPECIFIED:		APVD: SEAN HAN Z1MAR2016	SIZE: A1	
0 PLC ±0.25		PRODUCT SPEC: 108-32103	CAGE CODE: C=2287076	
1 PLC ±0.15		APPLICATION SPEC: 114-32146	SCALE: 1:1	
2 PLC ±0.10		ANGLES: °	SHEET 1 OF 4	
3 PLC ±0.10		FINISH: °	REV A	
4 PLC ±0.10		WEIGHT: °		
MATERIAL: °		CUSTOMER DRAWING		

LOC	DIST	REV	DATE	OWN	APVD
GP	00				

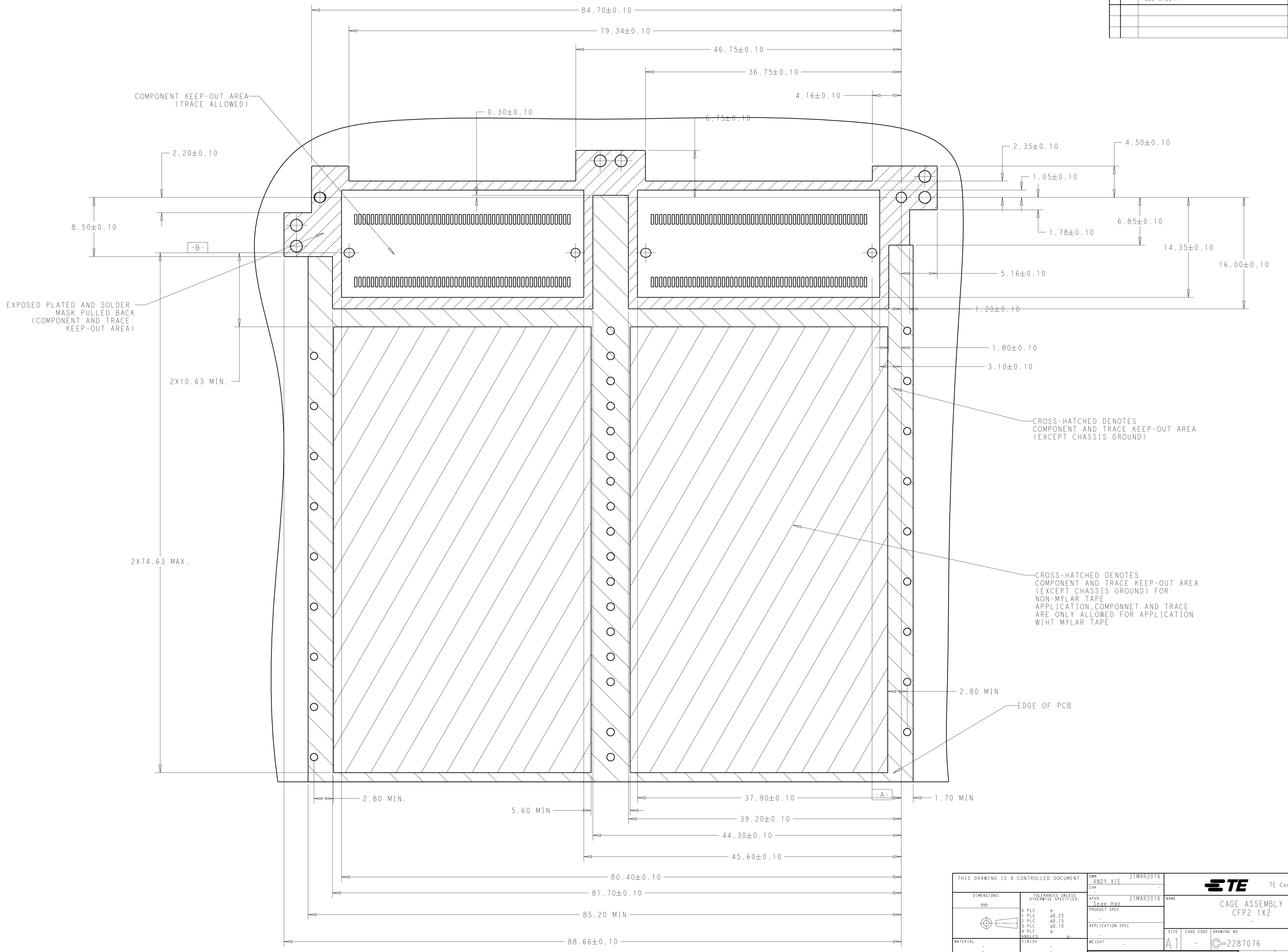
REVISIONS			
NO.	DESCRIPTION	DATE	OWN
1	SEE SHEET 1	-	-



RECOMMEND PCB LAYOUT

THIS DRAWING IS A CONTROLLED DOCUMENT.		OWN: ANDY.XIE ZIMAR2016		TE Connectivity	
DIMENSIONS: mm		CHK: -		NAME: CAGE ASSEMBLY CFP2 1X2	
TOLERANCES UNLESS OTHERWISE SPECIFIED:		APVD: Sean Han ZIMAR2016	PRODUCT SPEC		
0 PLC ±.25		APPLICATION SPEC	SIZE: A1 CAGE CODE: DRAWING NO: C=2287076		
1 PLC ±0.25		RESTRICTED TO	SCALE: 1:1 SHEET 2 OF 4 REV A		
2 PLC ±0.15		Customer Drawing			
3 PLC ±0.10					
4 PLC ±.1					
ANGLES ±.1					
FINISH					

LOC		DIST		REVISIONS			
GP	00	P	LTN	DESCRIPTION	DATE	DMN	APVD
-	-	-	-	SEE SHEET 1	-	-	-



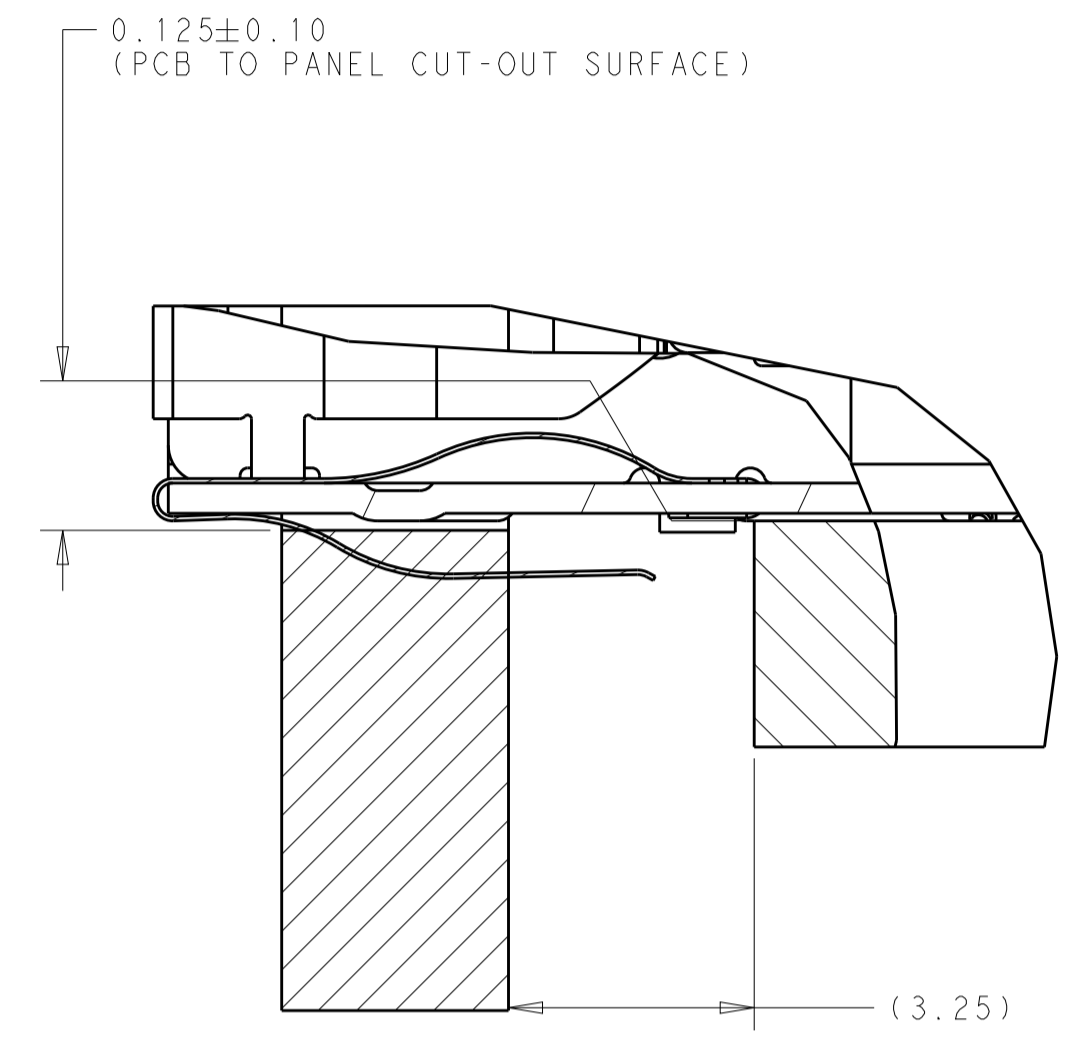
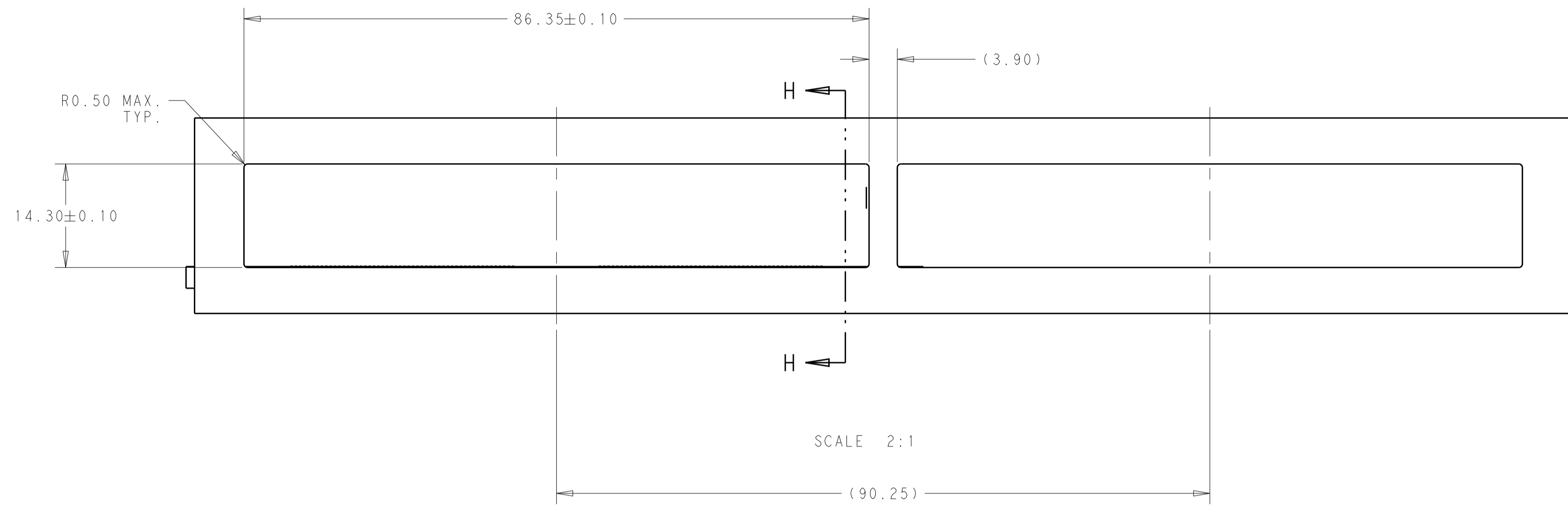
CROSS-HATCHED DENOTES COMPONENT AND TRACE KEEP-OUT AREA (EXCEPT CHASSIS GROUND)

CROSS-HATCHED DENOTES COMPONENT AND TRACE KEEP-OUT AREA (EXCEPT CHASSIS GROUND) FOR NON-MYLAR TAPE. APPLICATION, COMPONENT AND TRACE ARE ONLY ALLOWED FOR APPLICATION WITH MYLAR TAPE

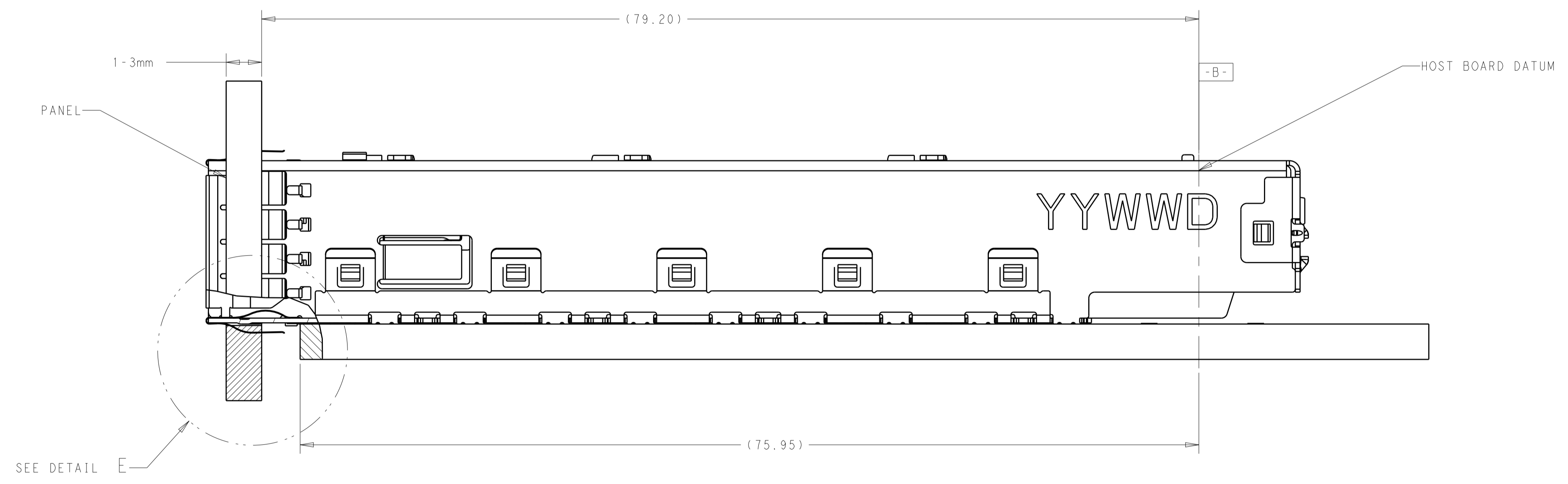
EDGE OF PCB

THIS DRAWING IS A CONTROLLED DOCUMENT.		DMN	ANDY.XIE	Z1MAR2016	TE Connectivity
		CHK	-	-	
DIMENSIONS:		TOLERANCES UNLESS OTHERWISE SPECIFIED:		NAME	CAGE ASSEMBLY
mm	0 PLC ±0.25	1 PLC ±0.15		PRODUCT SPEC	CFP2 1X2
	2 PLC ±0.10	3 PLC ±0.10		APPLICATION SPEC	-
	4 PLC ±0.10	ANGLES ±0.10		SIZE	A1
MATERIAL	FINISH	WEIGHT	-	CAGE CODE	2287076
		Customer Drawing	SCALE	1:1	SHEET 3 OF 4
				REV	A

LOC	DIST	REVISIONS			
P	LTN	DESCRIPTION	DATE	DMN	APVD
GP	00	SEE SHEET 1	-	-	-



DETAIL E
 SCALE 10:1



SECTION H-H
 SCALE 4:1

THIS DRAWING IS A CONTROLLED DOCUMENT.		DMN	ANDY.XIE	ZIMAR2016	TE Connectivity
DIMENSIONS:		CHK	-	-	
mm	0 PLC ±	APVD	Sean Han	ZIMAR2016	NAME
	1 PLC ±0.25	PRODUCT SPEC	CAGE ASSEMBLY		
	2 PLC ±0.15	APPLICATION SPEC	CFP2 1X2		
	3 PLC ±0.10	RESTRICTED TO	SIZE	CAGE CODE	DRAWING NO
	4 PLC ±	Customer Drawing	A1	-	C=2287076
MATERIAL	FINISH	WEIGHT	-	-	SCALE 1:1 SHEET 4 OF 4 REV A

单击下面可查看定价，库存，交付和生命周期等信息

[>>TE Connectivity\(泰科\)](#)