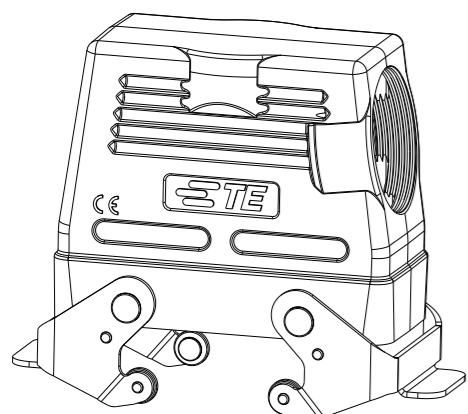
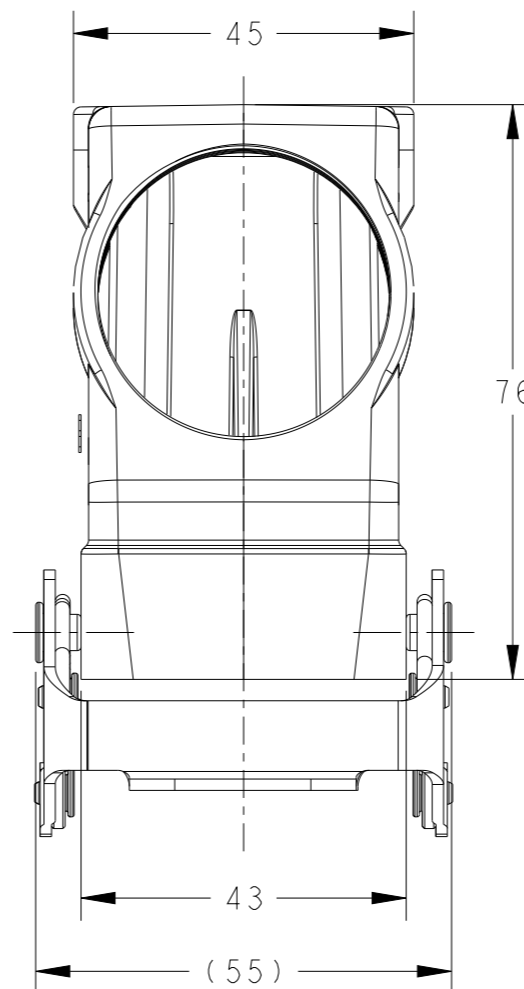
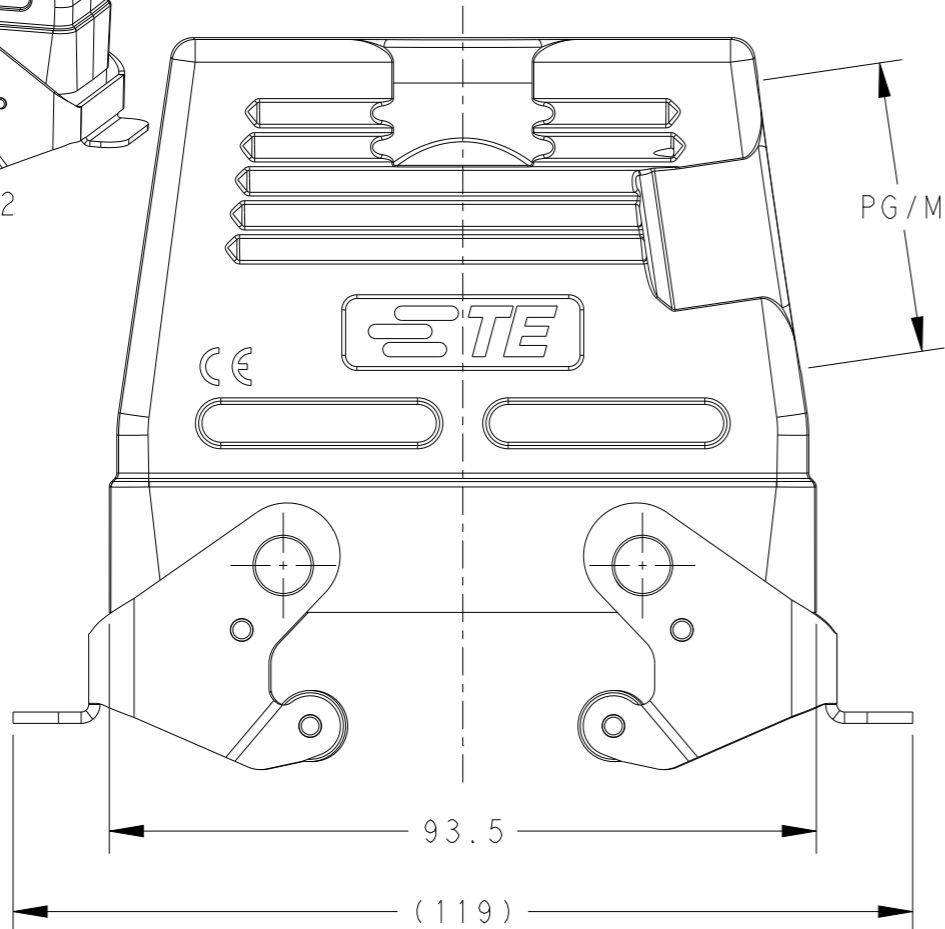


REVISIONS

P	LTR	DESCRIPTION	DATE	DWN	APVD
	A	INITIAL	19NOV2014	DW	CW
	B	ECR-20-008190	18AUG2020	WQR	CW
	B1	ECR-21-105138	29JUN2021	WQR	CW



SCALE 1:2

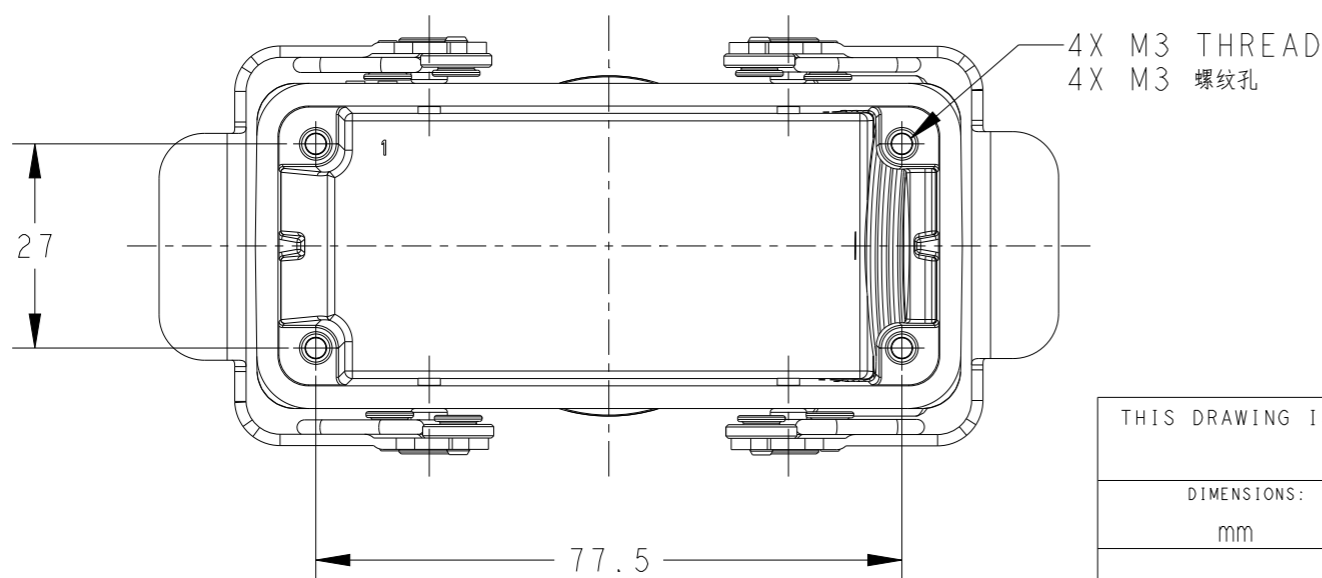


NOTES:

1. TECHNICAL CHARACTERISTICS:
 HOOD MATERIAL: DIE CAST ALUMINIUM ALLOY
 SURFACE: POWDER COATED, RAL7037
 DEGREE OF PROTECTION: IP65 (MATED)

注释:

1. 技术参数:
 上壳材料: 铝合金
 表面处理: 粉末涂层, RAL7037
 防护等级: IP65(配合)



4X M3 THREAD
 4X M3 螺纹孔

PART NUMBER	DESCRIPTION	TYPE	THREAD PG/M
T1270163121-000	H16B-TSBHS-PG21	HIGH CONSTRUCTION	PG21
T1270163129-000	H16B-TSBHS-PG29		PG29
T1270163125-000	H16B-TSBHS-M25		M25
T1270163132-000	H16B-TSBHS-M32		M32
T1270163140-000	H16B-TSBHS-M40		M40

THIS DRAWING IS A CONTROLLED DOCUMENT.

DIMENSIONS:	TOLERANCES UNLESS OTHERWISE SPECIFIED:
mm	
	0 PLC ±-
	1 PLC ±-
	2 PLC ±-
	3 PLC ±-
	4 PLC ±-
	ANGLES ±-
MATERIAL	FINISH
-	-
-	-

DWN	19NOV2014
David Wang	
CHK	19NOV2014
Chris Wang	
APVD	19NOV2014
Xiang Xu	
PRODUCT SPEC	108-137013
APPLICATION SPEC	114-137013
WEIGHT	-
Customer Drawing	



NAME		H16B-TSBHS-PG/M	
SIZE	CAGE CODE	DRAWING NO	RESTRICTED TO
A3	00779	©-T12701631XX000	-
SCALE	SHEET	OF	REV
1:1	1	1	B1

单击下面可查看定价，库存，交付和生命周期等信息

[>>TE Connectivity\(泰科\)](#)