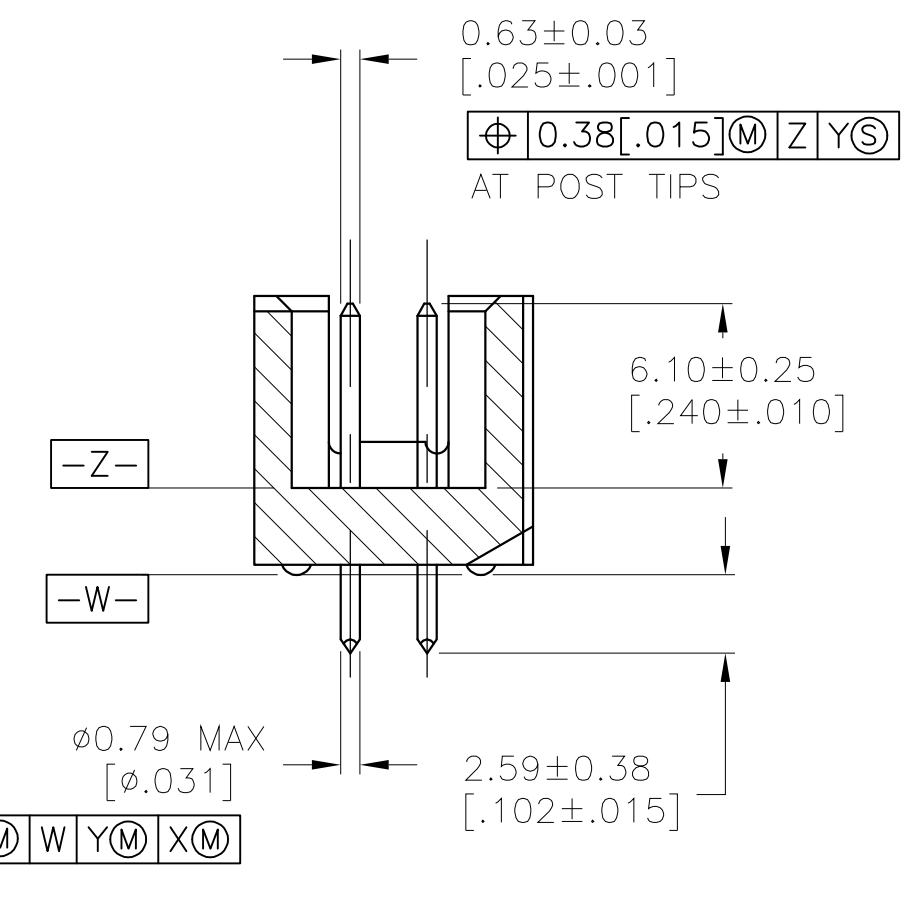
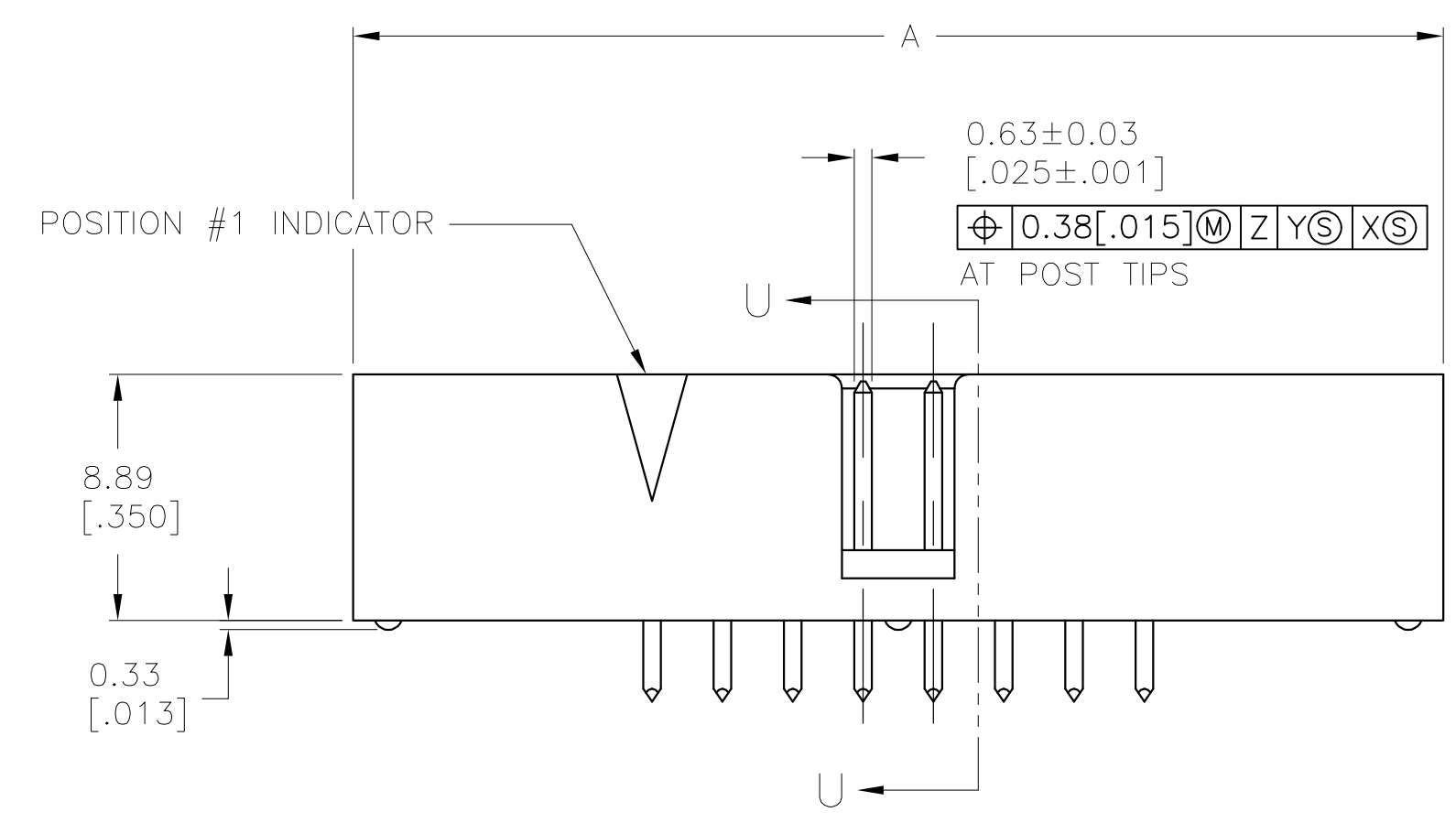
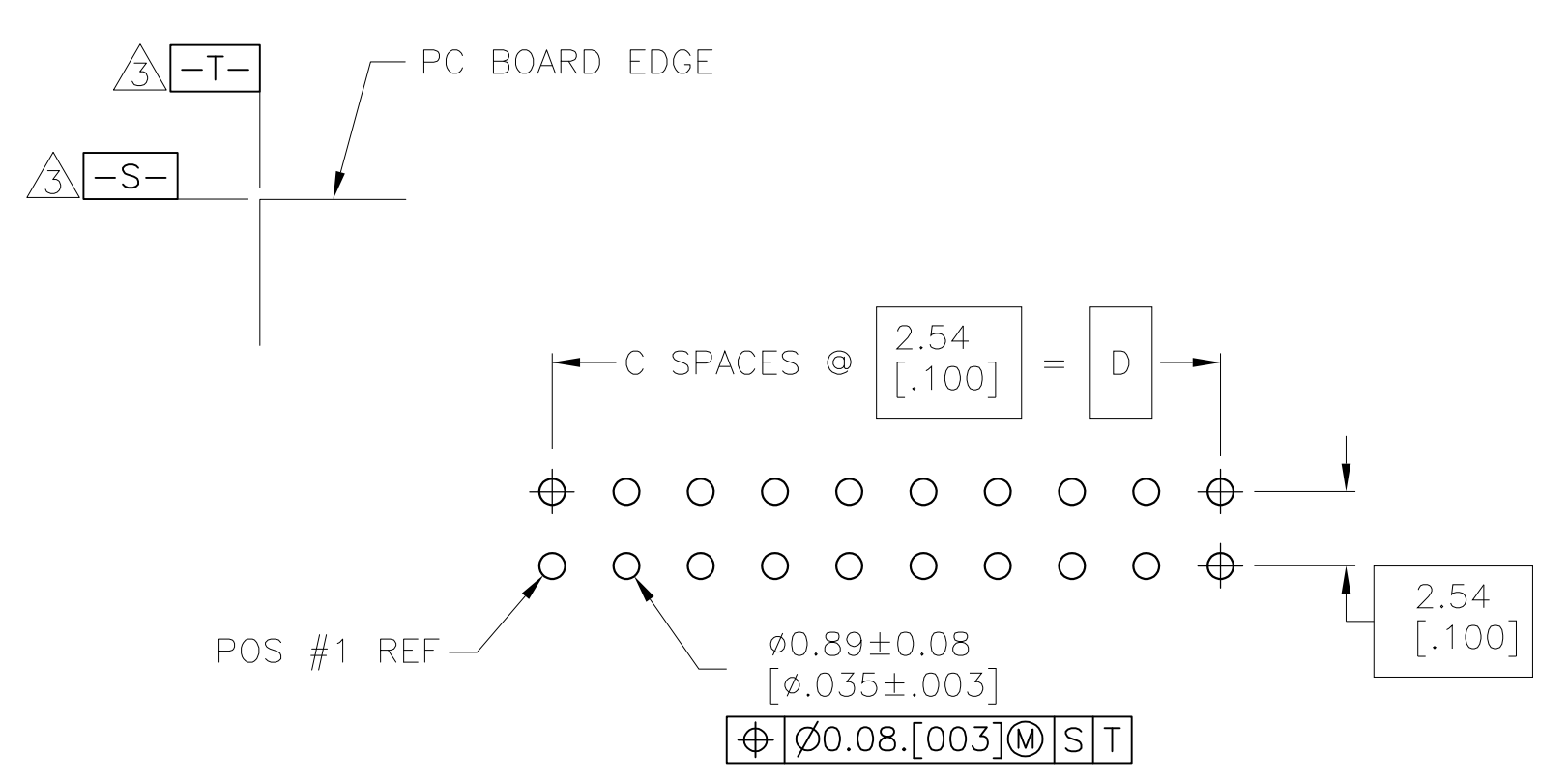


- △ HOUSING: PBT, UL94V-0, COLOR BLUE.
POSTS: PHOSPHOR BRONZE.
- △ POSTS: 0.00076[.000030] MIN GOLD ON MATING AREA,
0.00254[.000100] MIN TIN ON SOLDER END, ALL OVER
0.00127[.000050] MIN NICKEL ON ENTIRE POST.
- △ TIN DATUMS S & T TO BE ESTABLISHED BY CUSTOMER.



SECTION U-U



RECOMMENDED PC BOARD LAYOUT
(VIEWED FROM CONNECTOR SIDE)

OBsolete	78.74 [3.100]	31	86.36 [3.400]	100.33 [3.950]	64	1-1761693-7
	73.66 [2.900]	29	81.28 [3.200]	95.25 [3.750]	60	1-1761693-6
OBsolete	48.26 [1.900]	19	55.88 [2.200]	69.85 [2.750]	40	1-1761693-3
	40.64 [1.600]	16	48.26 [1.900]	62.23 [2.450]	34	1-1761693-1
	27.94 [1.100]	11	35.56 [1.400]	49.53 [1.950]	24	1761693-8
OBsolete	22.86 [.900]	9	30.48 [1.200]	44.45 [1.750]	20	1761693-7
OBsolete	17.78 [.700]	7	25.40 [1.000]	39.37 [1.550]	16	1761693-6
OBsolete	15.24 [.600]	6	22.86 [.900]	36.83 [1.450]	14	1761693-5
	10.16 [.400]	4	17.78 [.700]	31.75 [1.250]	10	1761693-3
	D	C	B	A	NO OF POS	PART NUMBER

THIS DRAWING IS A CONTROLLED DOCUMENT.

DIMENSIONS:	TOLERANCES UNLESS OTHERWISE SPECIFIED:	APPROVED:	DATE:
mm	0. PLC ± - 1. PLC ± - 2. PLC ± - 3. PLC ± 0.13(.005) 4. PLC ± - ANGLES ± -	B. CRISAMORE/DI S. BOLASH	05JUN05 05JUN05
MATERIAL:	FINISH:	APPROVED:	DATE:
		M. WALMSLEY	05JUN05

Customer Drawing

Scale: 4:1

Sheet: 1 of 1

Rev: B

Weight: 1761693

Size: A1

Application Spec: 1761693

Product Spec: 1761693

Header Assembly, Vertical, Low Profile, IDC

Tyco Electronics Corporation
Harrisburg, PA 17105-3608

单击下面可查看定价，库存，交付和生命周期等信息

[>>TE Connectivity\(泰科\)](#)