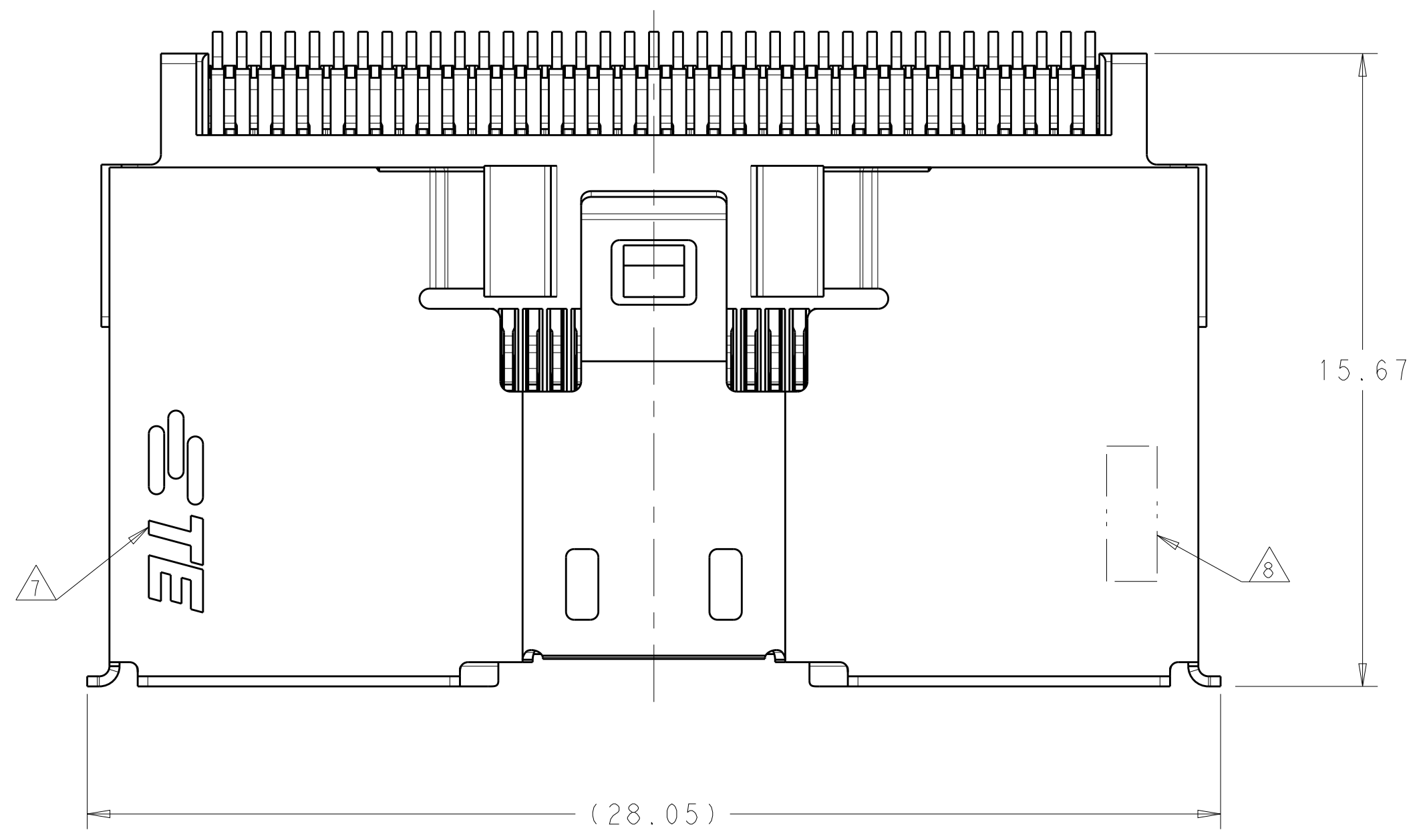
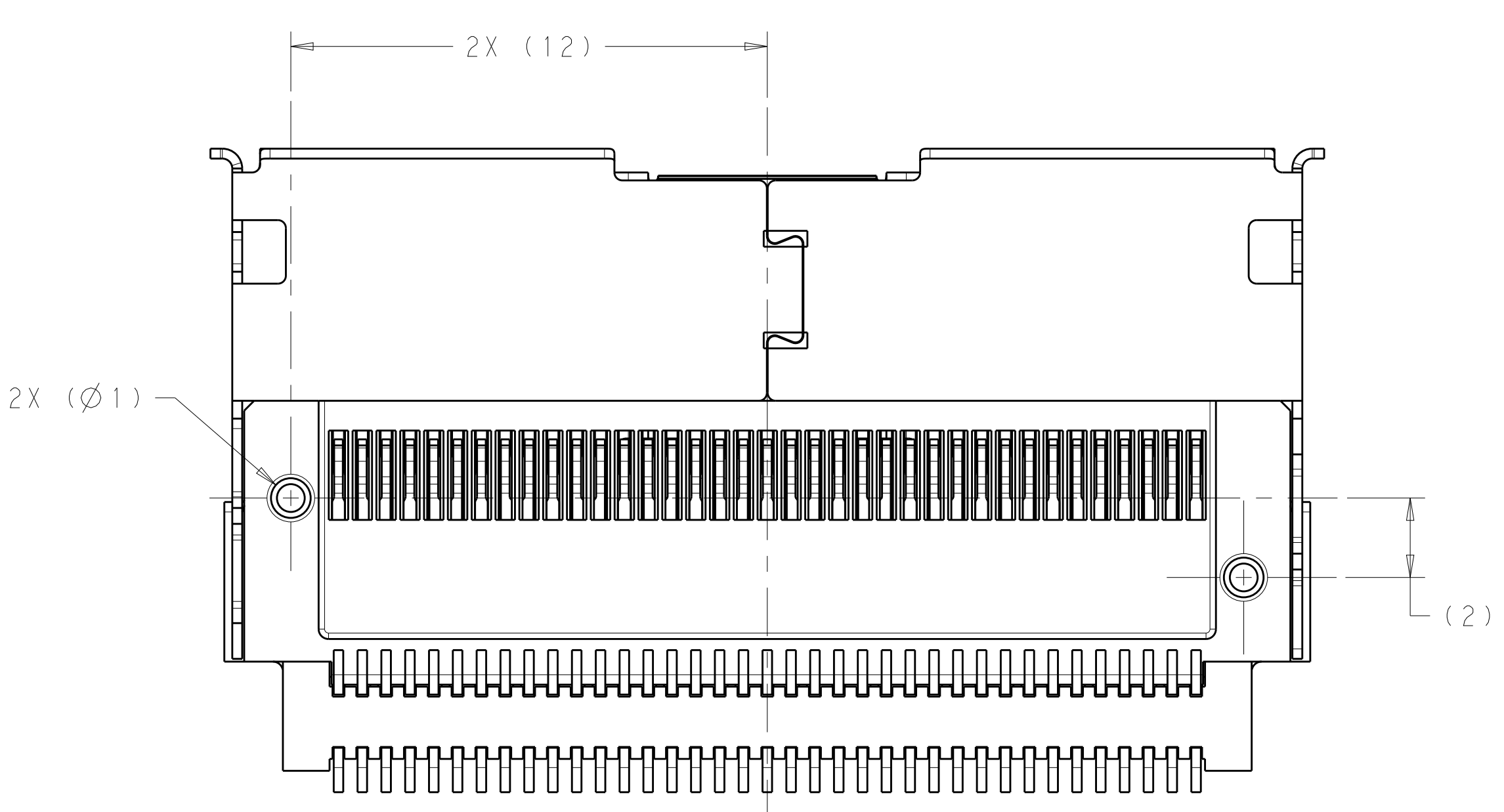
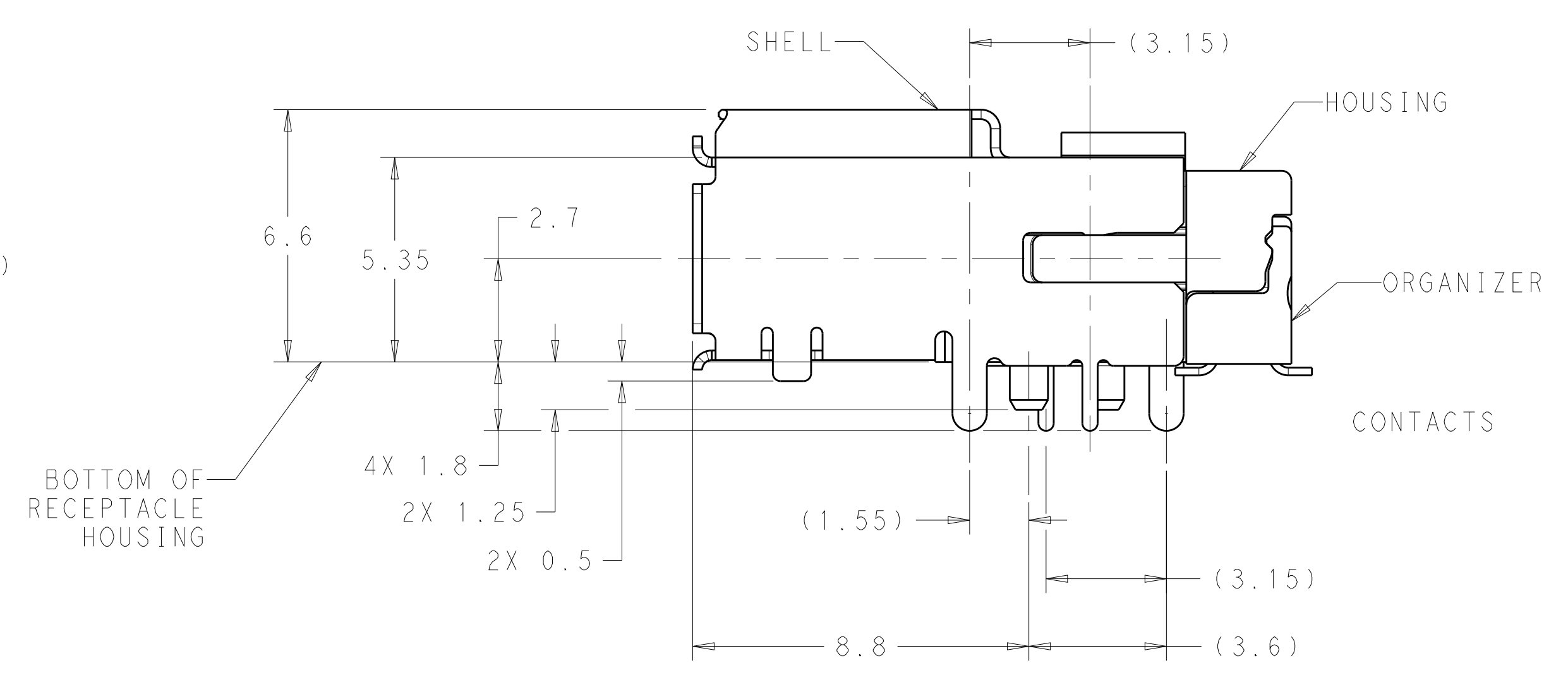
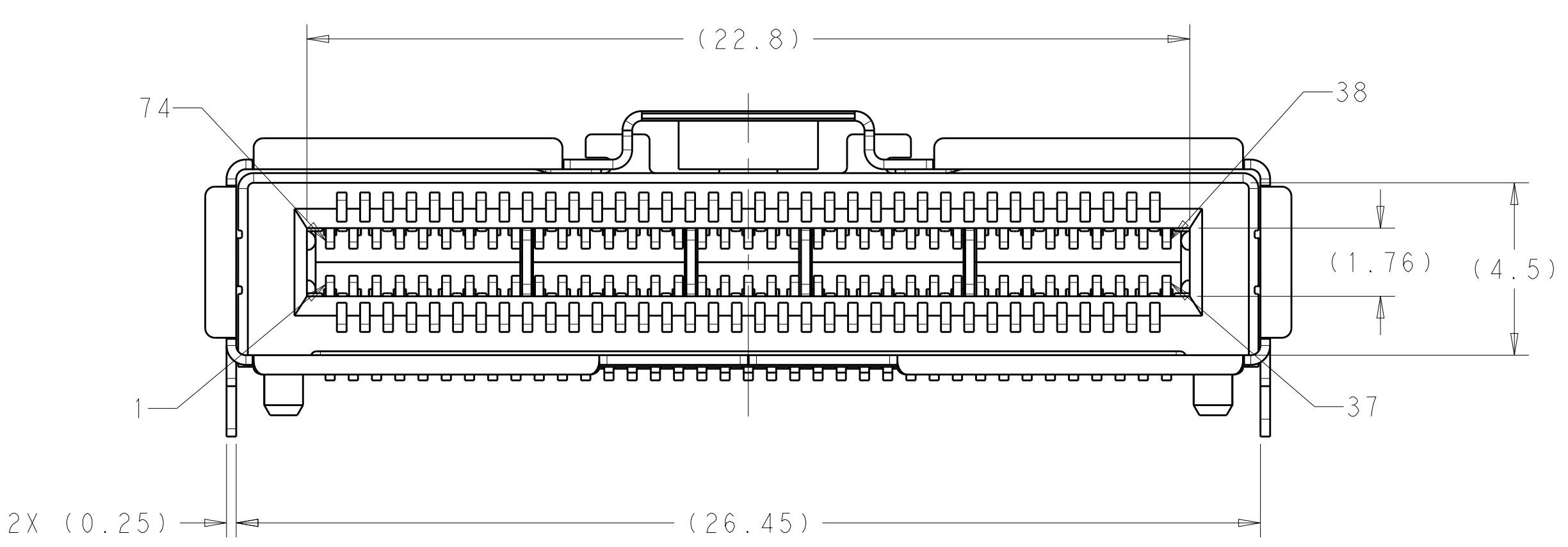


REVISIONS				
P.	LTN	DESCRIPTION	DATE	APVD
A		RELEASED PER ECO-17-008656	15JUN2017	CJV EDB
B		REVISED PER ECO-17-014247	21SEP2017	MS MP
C		REVISED PER ECO-19-011393	10FEB2020	TX DZ



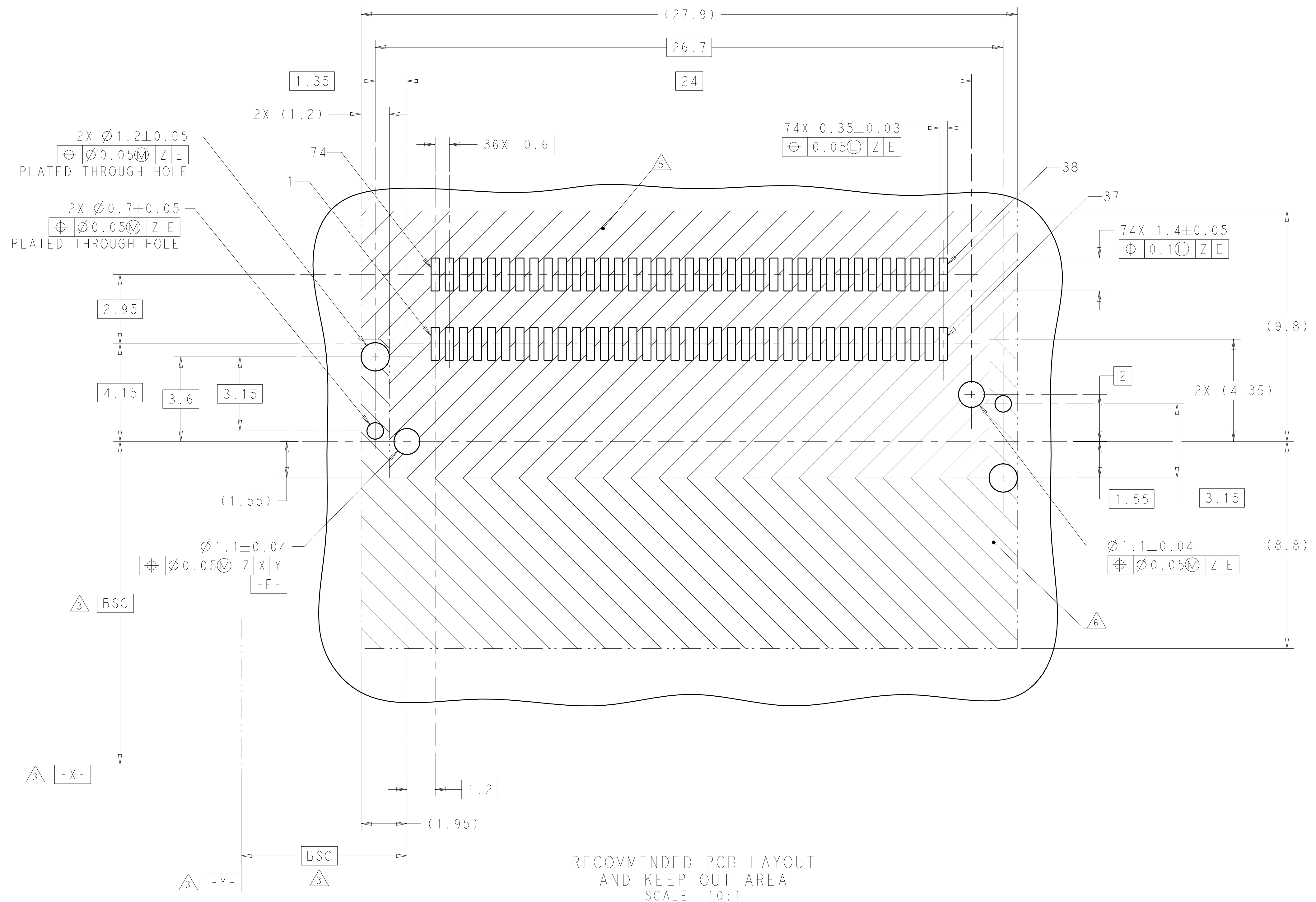
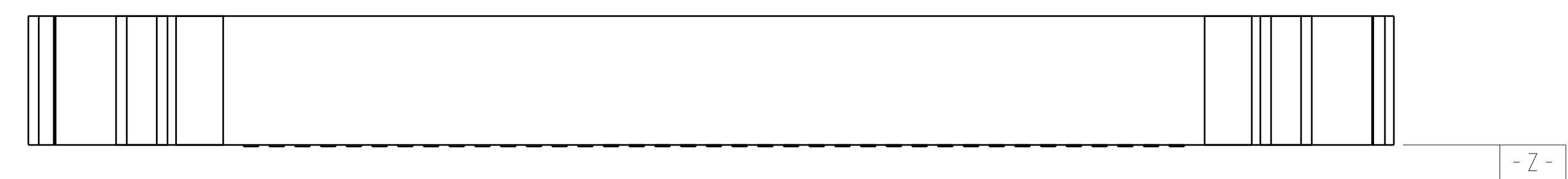
- △1 HOUSING, ORGANIZER AND CONTACT OVERMOLD: LCP, BLACK, UL94 V-0 RATED. CONTACTS: COPPER ALLOY. SHELL: COPPER ALLOY, NICKEL PLATED. TIN PLATED ON HOLD DOWNS.
- △2 0.76µm GOLD PLATED ON MATING INTERFACE. 2.54µm TIN PLATED ON SOLDER TAILS. 1.27µm MIN NICKEL UNDERPLATING OVERALL
- △3 DATUM AND BASIC DIMENSION ESTABLISHED BY CUSTOMER.
- 4. MINIMUM PC BOARD THICKNESS:
 SINGLE SIDED = 1.42 MIN.
 DOUBLE SIDED = 2 MIN.
- △5 RECOMMENDED COMPONENT KEEP OUT AREA.
- △6 RECOMMENDED COMPONENT AND TRACES KEEP OUT AREA.
- △7 TE CONNECTIVITY LOGO MARKED IN APPROXIMATE AREA SHOWN.
- △8 PART NUMBER AND DATE CODE MARKED IN APPROXIMATE AREA SHOWN.



2292069-1
 PART NUMBER

THIS DRAWING IS A CONTROLLED DOCUMENT.		DWN: M. SHIRK 06APR2015	TE Connectivity
		CHK: M. PHILLIPS 06APR2015	
DIMENSIONS:		NAME: RECEPTACLE CONNECTOR, RIGHT ANGLE, 74 POSITION, SLIVER	
TOLERANCES UNLESS OTHERWISE SPECIFIED:		PRODUCT SPEC: -	
mm		APPLICATION SPEC: -	
0 PLC	±0.15	SIZE: A1	
1 PLC	±0.15	CAGE CODE: -	
2 PLC	±0.15	DRAWING NO: 2292069	
3 PLC	±	RESTRICTED TO: -	
4 PLC	±	SCALE: 8:1	
ANGLES	±	SHEET: 1 OF 2	
MATERIAL	FINISH	REV: C	
CUSTOMER DRAWING			

REVISIONS				
P.	LTN	DESCRIPTION	DATE	APVD
-	-	SEE SHEET 1	-	-



PIN #	DESCRIPTION	PIN #	DESCRIPTION
1	SIGNAL GROUND	74	SIGNAL GROUND
2	SIGNAL	73	SIGNAL
3	SIGNAL	72	SIGNAL
4	SIGNAL GROUND	71	SIGNAL GROUND
5	SIGNAL	70	SIGNAL
6	SIGNAL	69	SIGNAL
7	SIGNAL GROUND	68	SIGNAL GROUND
8	SIGNAL	67	SIGNAL
9	SIGNAL	66	SIGNAL
10	SIGNAL GROUND	65	SIGNAL GROUND
11	SIGNAL	64	SIGNAL
12	SIGNAL	63	SIGNAL
13	SIGNAL GROUND	62	SIGNAL GROUND
14	SIGNAL	61	SIGNAL
15	SIGNAL	60	SIGNAL
16	SIGNAL GROUND	59	SIGNAL GROUND
17	SIGNAL	58	SIGNAL
18	SIGNAL	57	SIGNAL
19	SIGNAL GROUND	56	SIGNAL GROUND
20	SIGNAL	55	SIGNAL
21	SIGNAL	54	SIGNAL
22	SIGNAL GROUND	53	SIGNAL GROUND
23	SIGNAL	52	SIGNAL
24	SIGNAL	51	SIGNAL
25	SIGNAL GROUND	50	SIGNAL GROUND
26	SIGNAL	49	SIGNAL
27	SIGNAL	48	SIGNAL
28	SIGNAL GROUND	47	SIGNAL GROUND
29	SIGNAL	46	SIGNAL
30	SIGNAL	45	SIGNAL
31	SIGNAL GROUND	44	SIGNAL GROUND
32	SIGNAL	43	SIGNAL
33	SIGNAL	42	SIGNAL
34	SIGNAL GROUND	41	SIGNAL GROUND
35	SIGNAL	40	SIGNAL
36	SIGNAL	39	SIGNAL
37	SIGNAL GROUND	38	SIGNAL GROUND

THIS DRAWING IS A CONTROLLED DOCUMENT. DWN M_SHIRK 06APR2015
 CHK M_PHILLIPS 06APR2015

STE TE Connectivity

NAME: RECEPTACLE CONNECTOR, RIGHT ANGLE, 74 POSITION, SLIVER

SIZE: A1 CAGE CODE: C=2292069 DRAWING NO: 2292069

MATERIAL: FINISH: WEIGHT: CUSTOMER DRAWING

SCALE: 8:1 SHEET 2 OF 2 REV C

单击下面可查看定价，库存，交付和生命周期等信息

[>>TE Connectivity\(泰科\)](#)