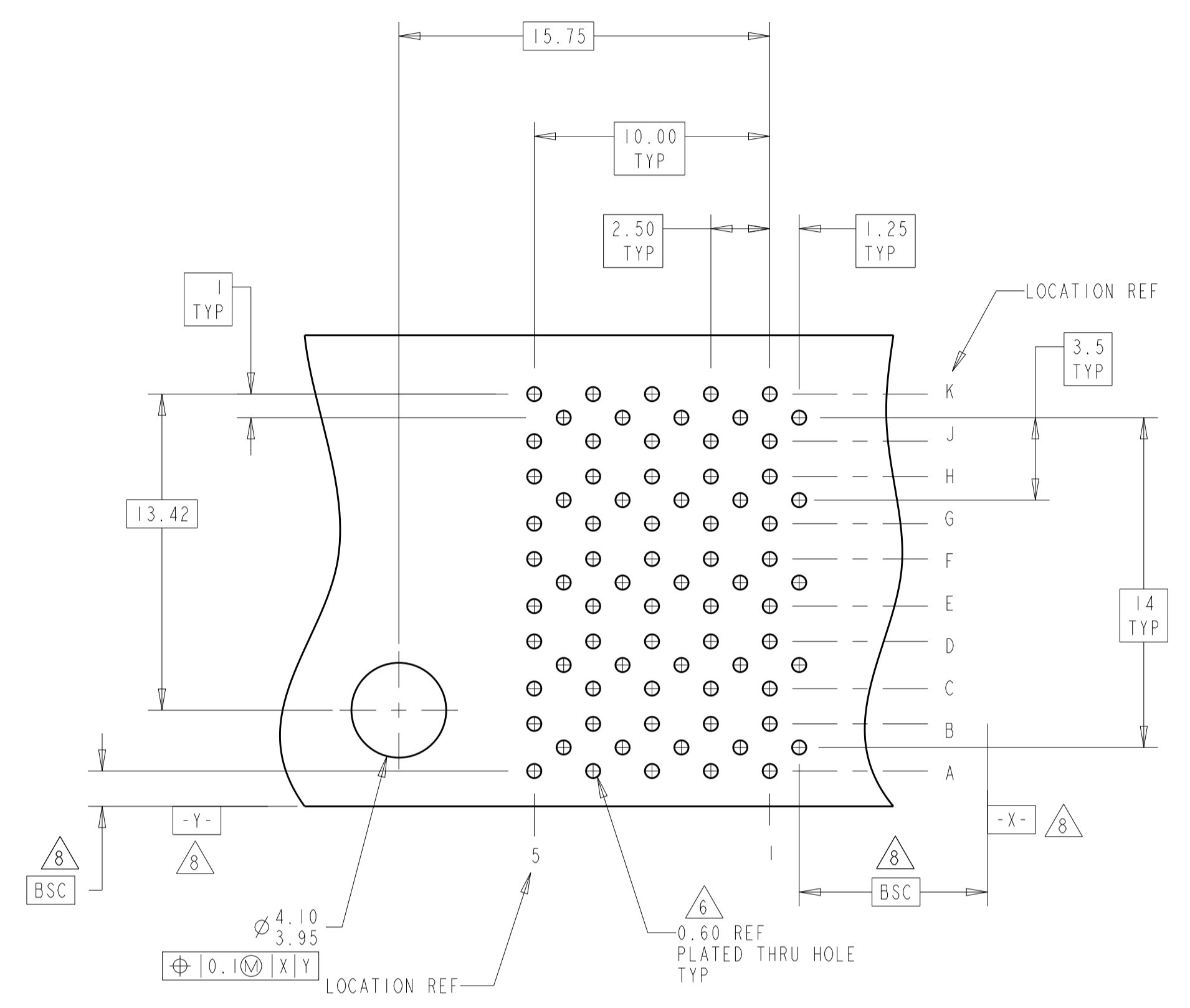
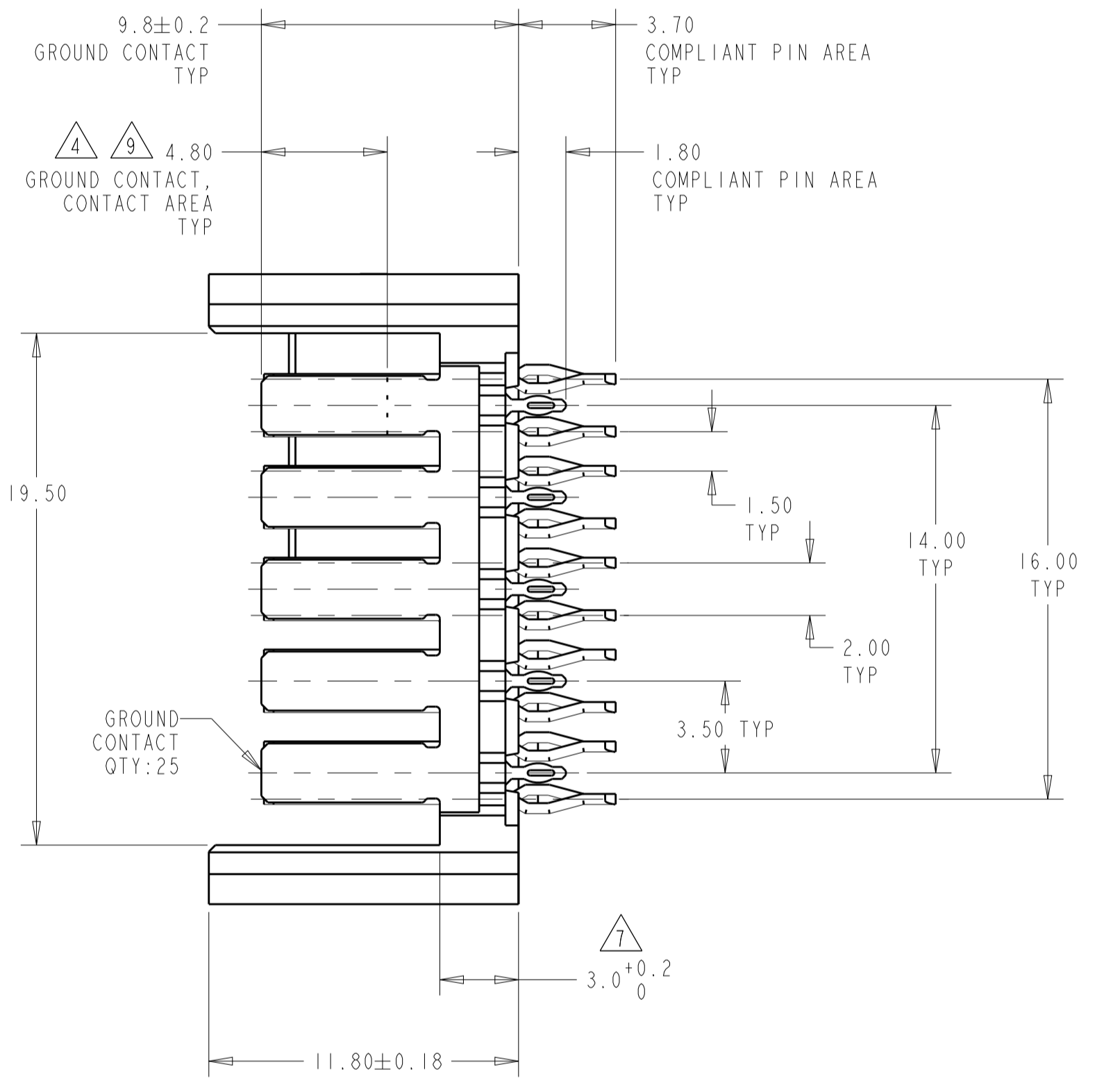
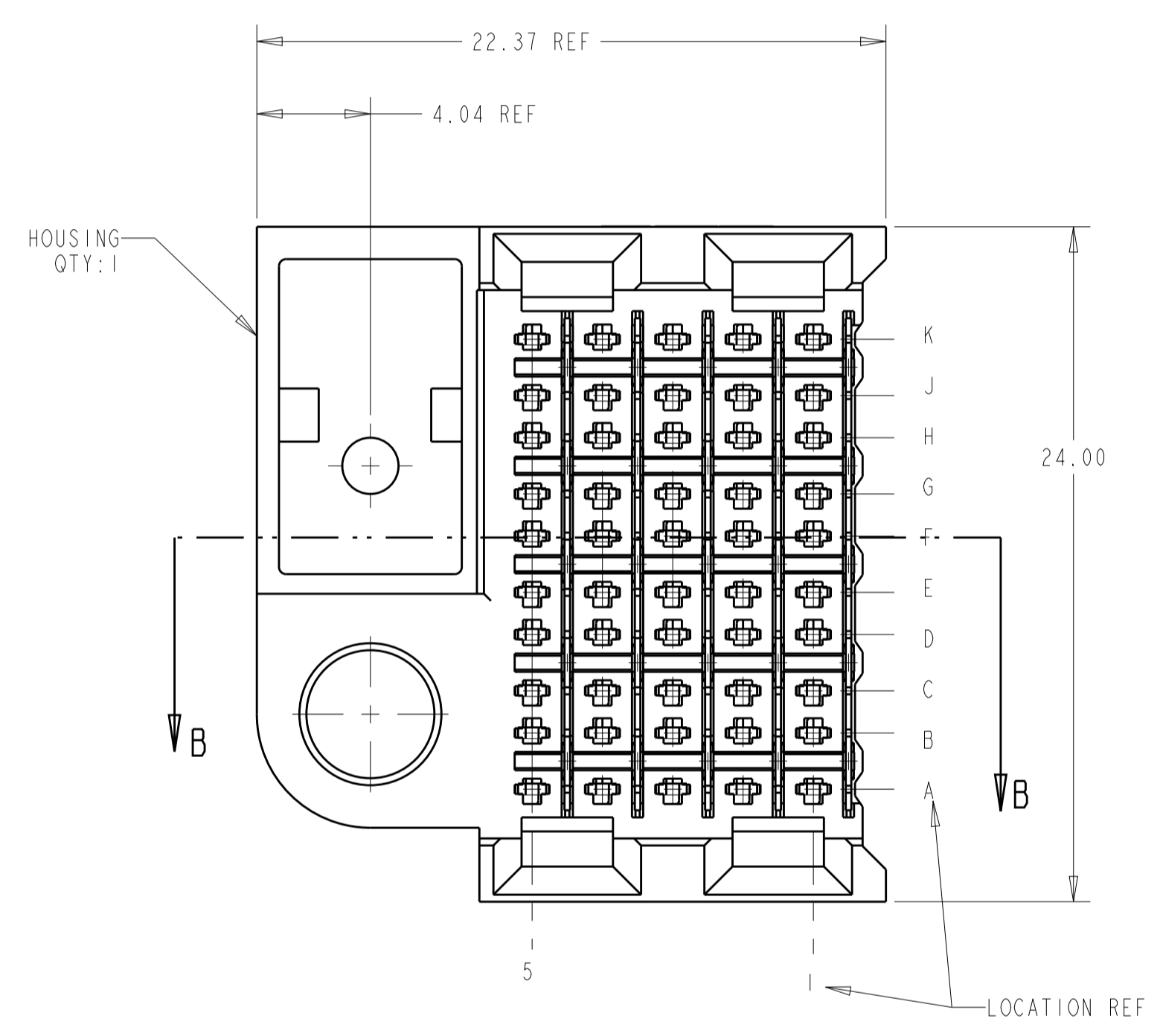
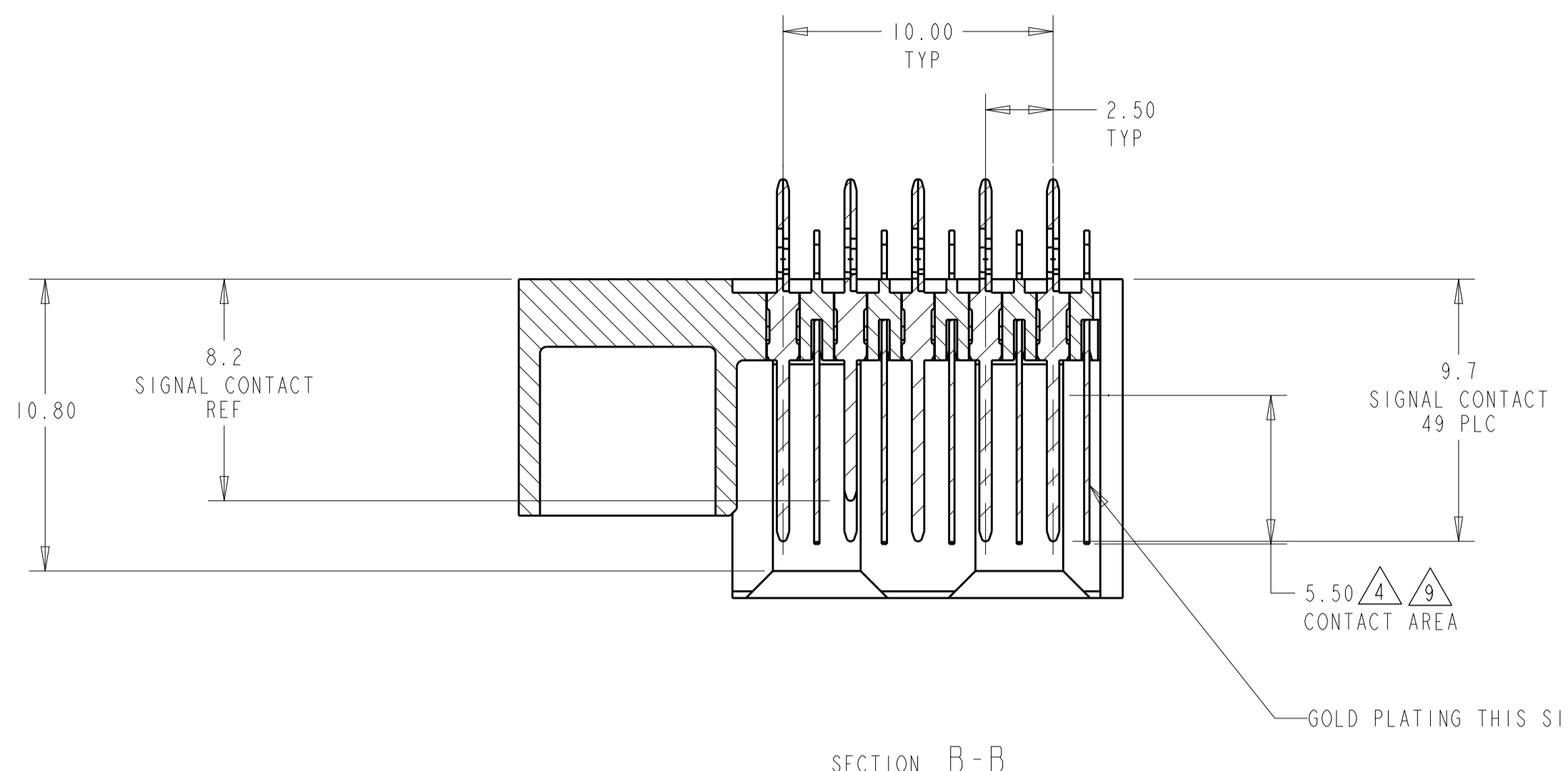
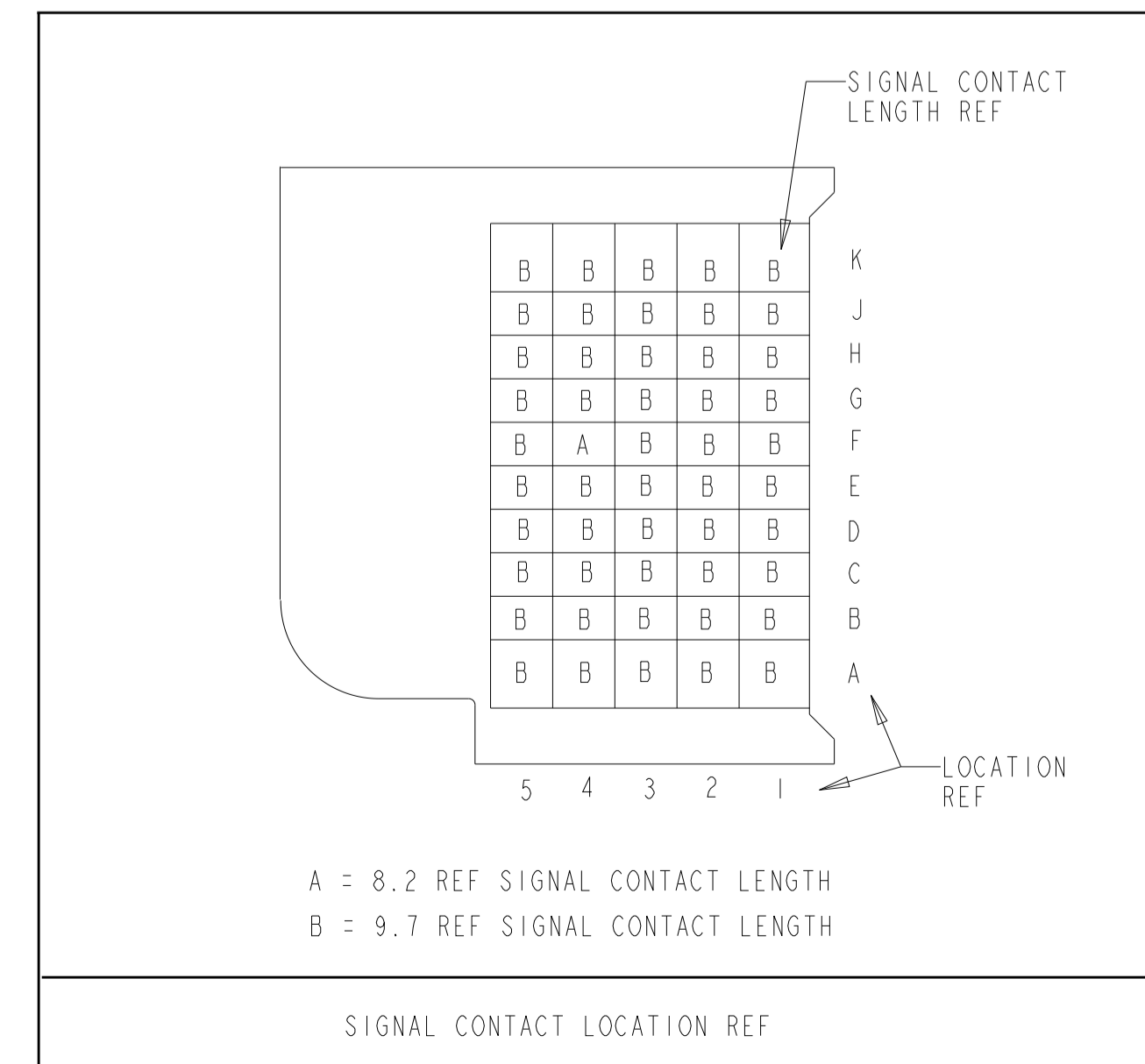
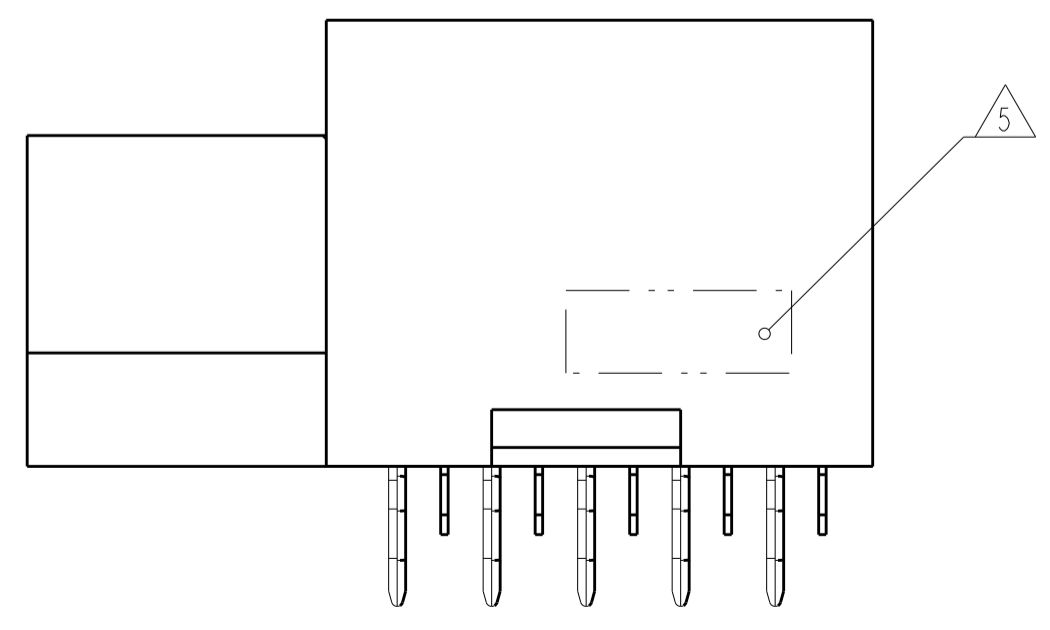


LOC	DIST	REV	DATE	BY	CHK	APP'D
AD	00	B	23AUG2012	KH	JE	

- 2 PHOSPHOR BRONZE
- 3 LCP, UL94V-0
- 4 FINISH:
CONTACT MATING AREA MEETS THE PERFORMANCE REQUIREMENTS OF
TE CONNECTIVITY PRODUCT SPECIFICATION 108-1957; BASED ON
TELCORDIA GR-1217-CORE; APPLICATIONS IN UNCONTROLLED ENVIRONMENTS.
COMPLIANT PIN AREA: 0.5µm MIN MATTE TIN OVER BASE PLATING.
- 5 CONNECTOR MARKED WITH PART NUMBER AND DATE CODE
- 6 REFERENCE APPLICATION SPEC 114-13020 FOR RECOMMENDED
PLATED THRU HOLE DIAMETER AND PLATING THICKNESS.
- 7 APPLICATION SEATING HEIGHT TO PRINTED CIRCUIT BOARD
- 8 DATUMS AND BASIC DIMENSIONS ESTABLISHED BY CUSTOMER
- 9 CONTACT AREA LUBRICATED WITH BELLCORE APPROVED LUBRICANT
TECHNICAL REFERENCE: GR-1217-CORE, ISSUE 1, NOVEMBER 1995



RECOMMENDED
PRINTED CIRCUIT BOARD
LAYOUT
COMPONENT SIDE OF PRINTED CIRCUIT BOARD



ROWS A-E: 1-5	ROW F: 1-3, 5	5120755-1
ROWS G-K: 1-5	ROW F: 4	
PIN LOCATION	PIN LOCATION	PART NUMBER
SIGNAL CONTACT TYPE B QTY: 49	SIGNAL CONTACT TYPE A QTY: 1	

THIS DRAWING IS A CONTROLLED DOCUMENT.		OWN: B. CARBO 07DEC04	NAME: HEADER ASSEMBLY, 50 POSITION, SEQUENCED, RIGHT HAND, 10 ROW, Z-PACK HS3
DIMENSIONS: mm		CHK: R. PATTERSON 07DEC04	SIZE: A1
TOLERANCES UNLESS OTHERWISE SPECIFIED:		APP'D: R. PATTERSON 07DEC04	SCALE: 5:1
0 PLC ±		PRODUCT SPEC	SHEET 1 OF 1
1 PLC ±		APPLICATION SPEC	REV B
2 PLC ±0.13		WEIGHT	
3 PLC ±0.05		CAGE CODE DRAWING NO	
4 PLC ±		RESTRICTED TO	
ANGLES ±		00779	
FINISH		©=5120755	
CONTACTS: 2		CUSTOMER DRAWING	
SIGNAL CONTACT: 4			

单击下面可查看定价，库存，交付和生命周期等信息

[>>TE Connectivity\(泰科\)](#)