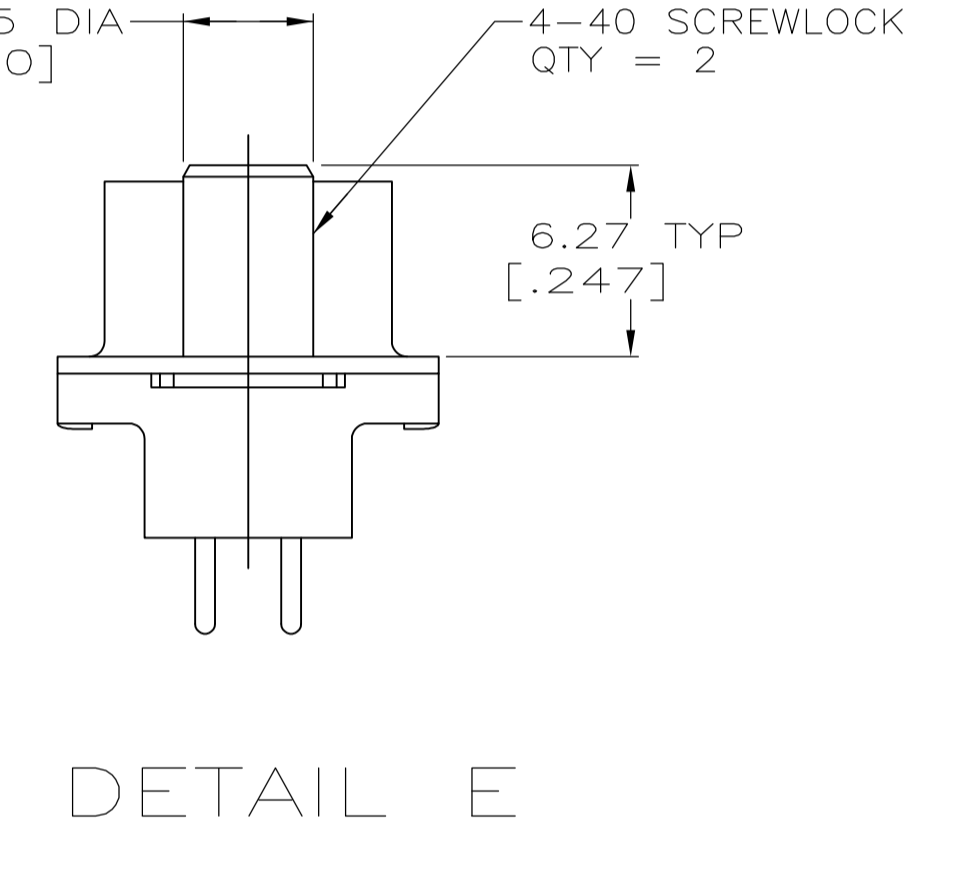
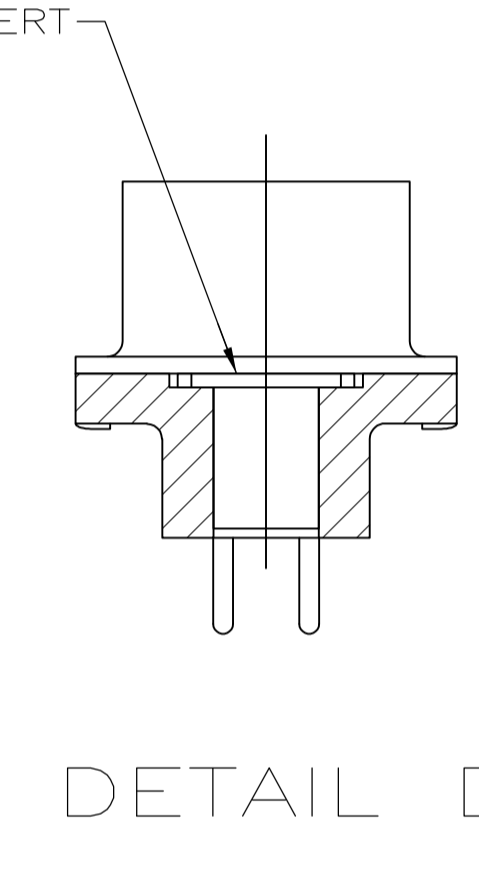
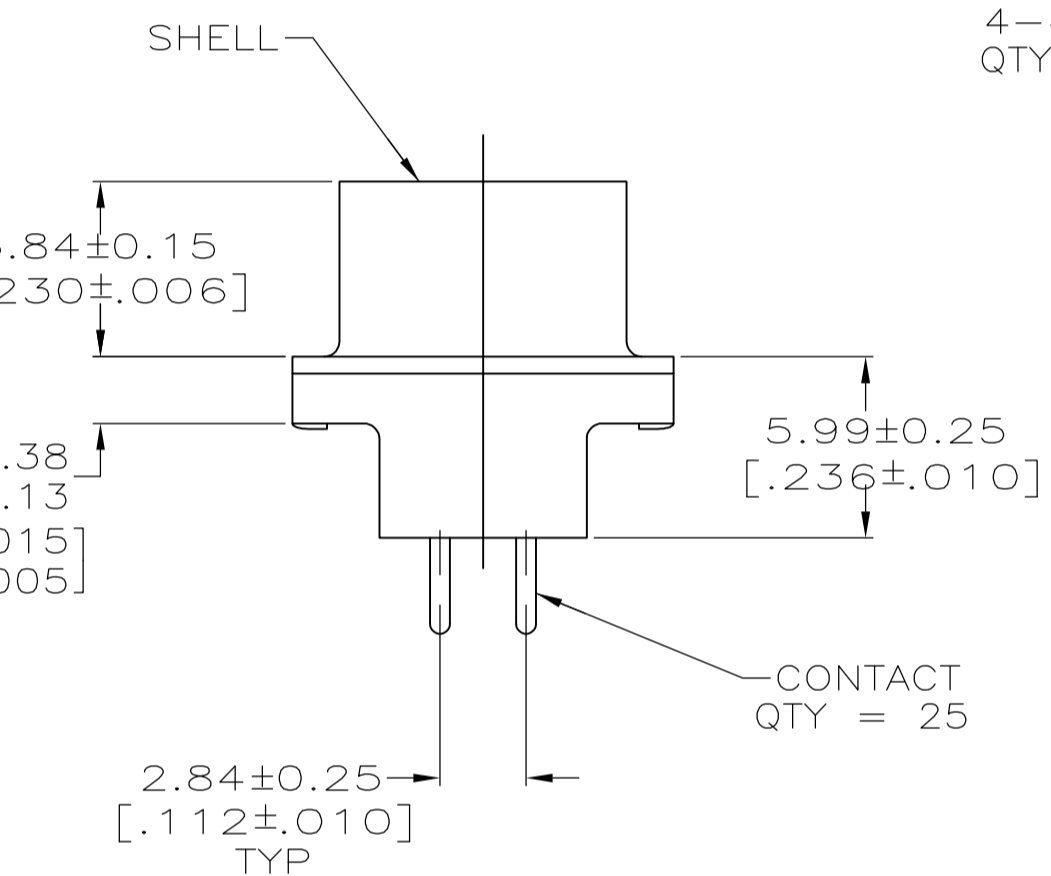
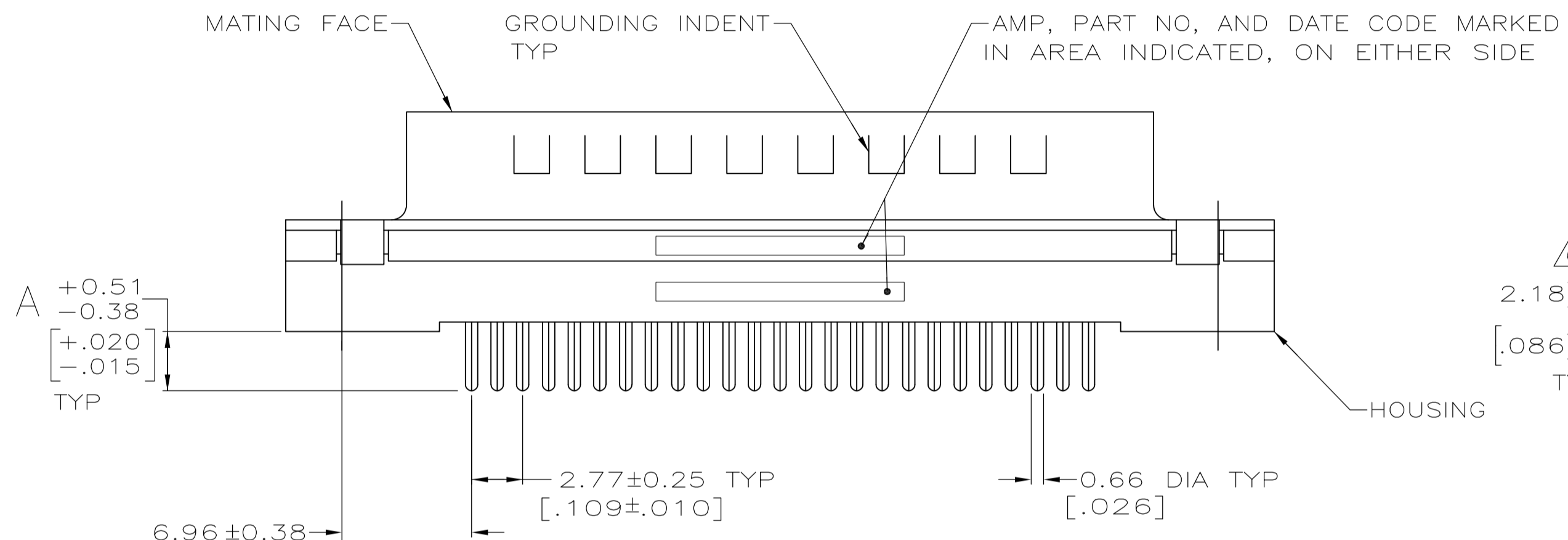
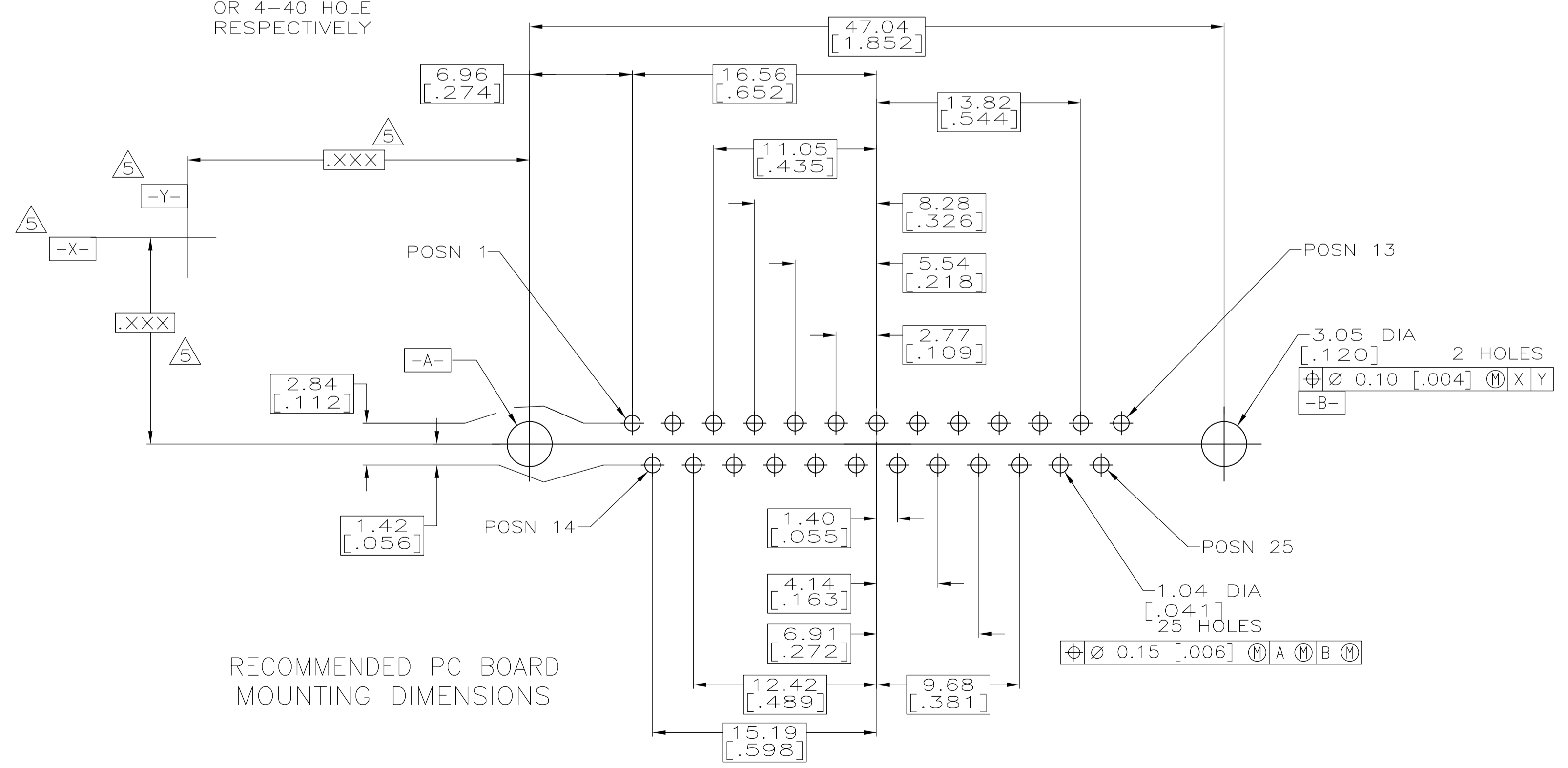


- ① HOUSING: BLACK POLYESTER, UL 94V-0 RATED;
CONTACTS: BRASS
SHELLS: CARBON STEEL
SCREWLOCK: ZINC
INSERTS: BRASS
- ② GOLD PLATED FOR LENGTH OF 3.81 [.150] MIN FROM MATING END, GOLD FLASH IN MATED AREA, 2.54μm [.000100] MIN TIN OR TIN-LEAD FOR A LENGTH OF DIMENSION A FROM OPPOSITE END, BOTH OVER 1.27μm [.000050] MIN NICKEL.
- ③ GOLD PLATED FOR LENGTH OF 3.81 [.150] MIN FROM MATING END, 0.76μm [.000030] MIN GOLD IN MATED AREA, 2.54μm [.000100] MIN TIN OR TIN-LEAD FOR A LENGTH OF DIMENSION A FROM OPPOSITE END, BOTH OVER 1.27μm [.000050] MIN NICKEL.
-OR-
GOLD FLASH OVER PALLADIUM NICKEL PLATED FOR A LENGTH OF 3.81 [.150] MIN FROM MATING END, 0.76μm [.000030] MIN GOLD IN MATED AREA, 2.54μm [.000100] MIN TIN OR TIN-LEAD FOR A LENGTH OF DIMENSION A FROM OPPOSITE END, BOTH OVER 1.27μm [.000050] MIN NICKEL.
- ④ SHELLS: 5.08μm [.000200] MIN TIN OVER 2.54μm [.000100] MIN COPPER
CONTACTS: SEE TABLE.
- ⑤ DATUMS AND BASIC DIMENSIONS ESTABLISHED BY CUSTOMER.
- ⑥ 2.79[.110] MAX IN SHELL TAB CLINCH AREAS.



DETAIL D

DETAIL E



RECOMMENDED PC BOARD MOUNTING DIMENSIONS

OBSELETE	DIMENSION A	MOUNTING HARDWARE	CONTACT FINISH	PART NUMBER
OBSELETE	6.35 [.250]	4-40 SCREWLOCK (DETAIL E)	③	1-745968-8
OBSELETE	6.35 [.250]	4-40 SCREWLOCK (DETAIL E)	②	1-745968-7
OBSELETE	4.32 [.170]	4-40 SCREWLOCK (DETAIL E)	③	1-745968-6
OBSELETE	4.32 [.170]	4-40 SCREWLOCK (DETAIL E)	②	1-745968-5
OBSELETE	3.18 [.125]	4-40 SCREWLOCK (DETAIL E)	③	1-745968-4
OBSELETE	3.18 [.125]	4-40 SCREWLOCK (DETAIL E)	②	1-745968-3
OBSELETE	6.35 [.250]	4-40 INSERT (DETAIL D)	③	1-745968-2
OBSELETE	6.35 [.250]	4-40 INSERT (DETAIL D)	②	1-745968-1
OBSELETE	4.32 [.170]	4-40 INSERT (DETAIL D)	④	1-745968-0
OBSELETE	4.32 [.170]	4-40 INSERT (DETAIL D)	②	745968-9
OBSELETE	3.18 [.125]	4-40 INSERT (DETAIL D)	③	745968-8
OBSELETE	3.18 [.125]	4-40 INSERT (DETAIL D)	②	745968-7
OBSELETE	6.35 [.250]	-	③	745968-6
OBSELETE	6.35 [.250]	-	②	745968-5
OBSELETE	4.32 [.170]	-	③	745968-4
SUPERSEDED BY 745968-4	4.32 [.170]	-	②	745968-3
SUPERSEDED BY 745968-2	3.18 [.125]	-	③	745968-2
SUPERSEDED BY 745968-2	3.18 [.125]	-	②	745968-1

THIS DRAWING IS A CONTROLLED DOCUMENT.

DIMENSIONS: mm [INCHES]	TOLERANCES UNLESS OTHERWISE SPECIFIED:	0 PLC ± -	1 PLC ± -	2 PLC ± 0.13 [.005]	3 PLC ± -	4 PLC ± -	ANGLES ± -
-------------------------	--	-----------	-----------	---------------------	-----------	-----------	------------

MATERIAL	FINISH	WEIGHT	SIZE	CAGE CODE	DRAWING NO	RESTRICTED TO
①	④	-	A1	00779	745968	-

CUSTOMER DRAWING SCALE 4:1 SHEET 1 OF 1 REV P1

单击下面可查看定价，库存，交付和生命周期等信息

[>>TE Connectivity\(泰科\)](#)