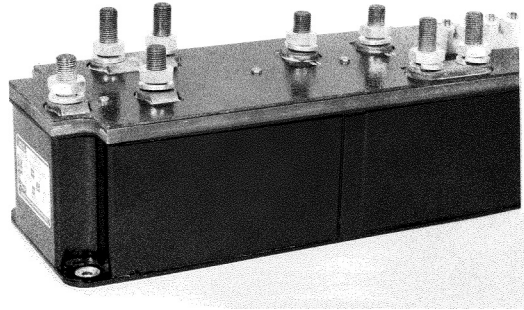


**A-882 Series, Rated up to 600 Amps, 28/48 Vdc**

**Product Facts**

- 2PDT, Double break
- Gasket sealed
- Auxiliary contacts available
- Meets many requirements of MIL-PRF-6106



**Performance Data**

**Electrical Characteristics**

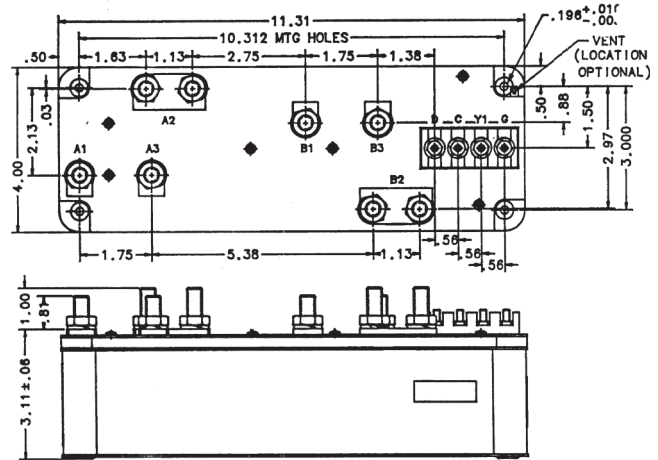
- Main Contacts —**
- Contact Arrangement —**  
2PDT, Double Break
- Rated Operating Voltage —**  
28/48 Vdc
- Resistive Rating —** 600 Amps
- Resistive for 30 sec —** 1,000 Amps
- Motor Rating —** 1,500 Amps, Inrush only
- Auxiliary Contacts —**
- Aux. Contact Arrangement —**  
SPST NO
- Resistive Rating —** 5 Amps
- Inductive Rating —** 5 Amps

**General Characteristics**

- Temperature Range —**  
-65°C to +160°C
- Operating Cycles (Life) at Rated Resistive Load, Min. —** 50,000 cycles
- Operating Cycles (Life) Mechanical, Min. —** 100,000 cycles
- Dielectric Strength —**
- All Circuits to Ground — 1,250 Vrms
- Circuit to Circuit — 1,250 Vrms
- Coil to Ground and Aux. Contacts — 1,000 Vrms
- Altitude, Max. —** 50,000 ft
- Weight —** 8.75 lbs

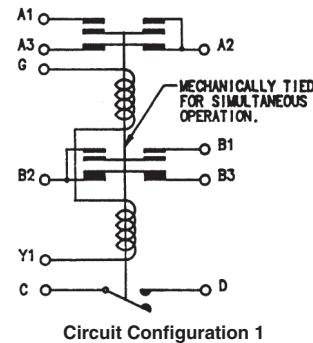
**Coil Characteristics**

- Duty Cycle —** Intermittent
- Operating Voltage, Max. —** 29 Vdc
- Operating Voltage, Min. —** 18 Vdc
- Pickup Voltage, Max., Hot —** 18 Vdc
- Dropout Voltage, Max., Hot —** 7 Vdc
- Coil Current, Max. @ 70°F —**  
8 Amps
- Coil Current, Max. @ -65°F —**  
9.6 Amps



Mounting Style A

**Circuit Configurations** (Consult factory for other available circuit configurations)



Circuit Configuration 1

For factory-direct application assistance, phone 419-521-9500 or fax 419-526-2749.

| HARTMAN Part Number | Construction Type | Mounting Style | Coil Type    | Circuit Config. | TE Part Number |
|---------------------|-------------------|----------------|--------------|-----------------|----------------|
| A-882DL             | Gasket/Vented     | A              | Intermittent | 1               | 1616102-6      |

单击下面可查看定价，库存，交付和生命周期等信息

[>>TE Connectivity\(泰科\)](#)