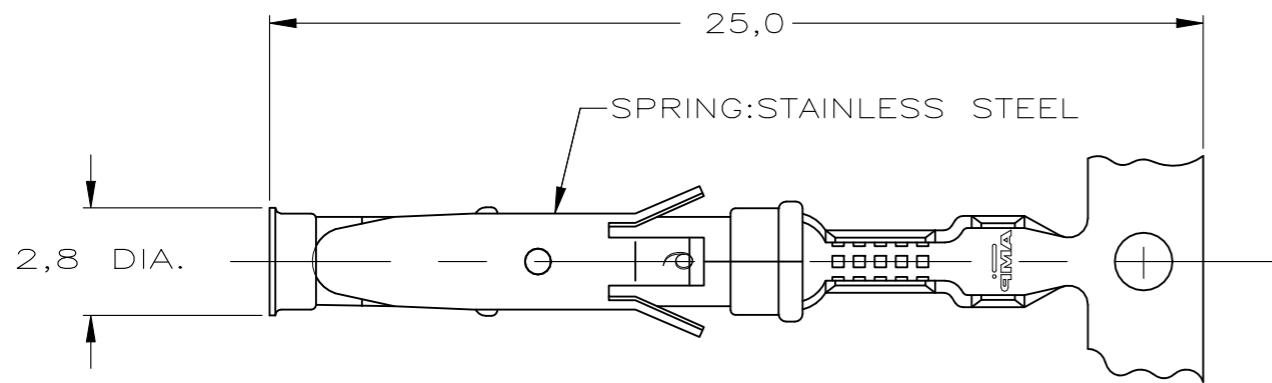
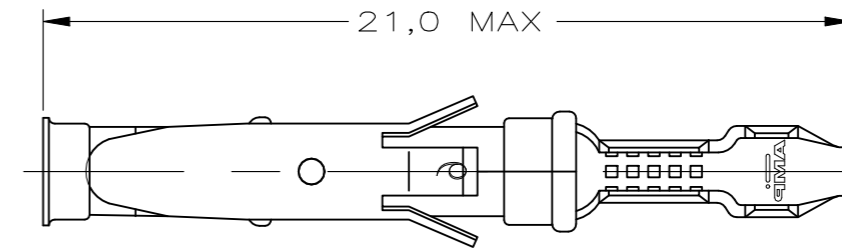


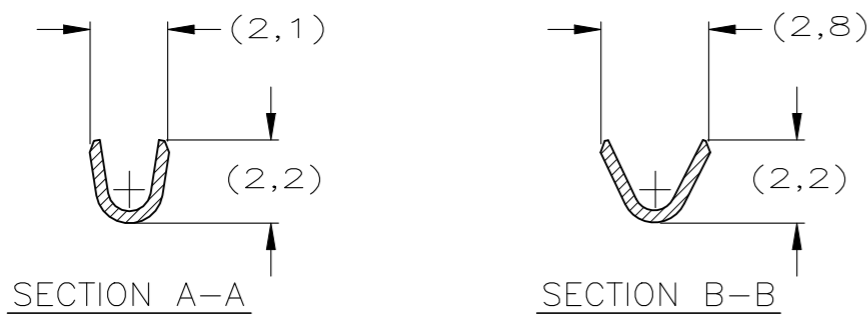
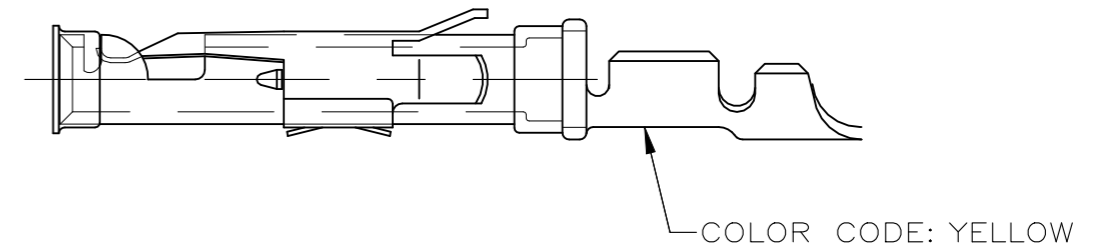
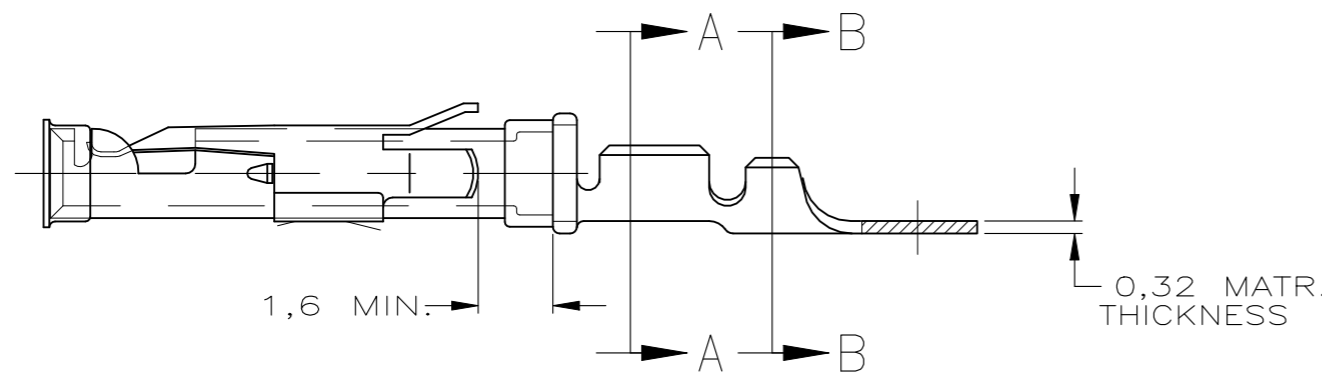
P	LTR	DESCRIPTION	DATE	DWN	APVD
	AE	ECO-21-006960	26JUL2021	RK	MZ



STRIP

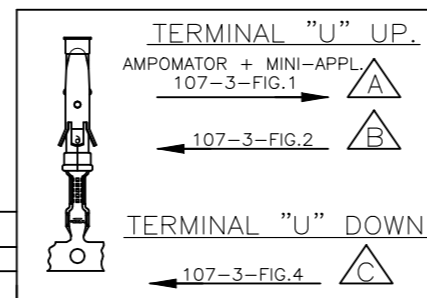


LOOSE-PIECE



WIRE RANGE : 0,2-0,50 mm² (24-20 AWG)
 INSUL. RANGE : 1,1 -1,8 mm (.080-.100)

REVISION	DESCRIPTION	DATE	MATERIAL	PLATING
1	1-163087-5	21JUL2015	BRASS	SILVER
2	1-163087-4	21JUL2015	BRASS	EL.TIN
3	1-163087-3	21JUL2015	BRASS	BR.TIN/LEAD
4	5-163087-3	21JUL2015	BRASS	ECON.GOLD
5	5-163087-2	21JUL2015	BRASS	SEL.GOLD
6	5-163087-1	21JUL2015	BRASS	EL.TIN
7	1-163087-2	21JUL2015	BRASS	GOLD
8	1-163087-1	21JUL2015	BRASS	ECON.GOLD
9	1-163087-0	21JUL2015	BRASS	ECON.GOLD
10	163087-9	21JUL2015	BRASS	EL.TIN
11	163087-8	21JUL2015	BRASS	SEL.GOLD
12	163087-2	21JUL2015	BRASS	SEL.GOLD
13	163087-1	21JUL2015	BRASS	EL.TIN



- NOTES :
- 1 UL RECOGNIZED UNDER E28476 VOL VI SEC I
 - 2 FOR CRIMP DETAILS SEE SPEC. 114-19000
 - 3 MEETS PRODUCT SPECIFICATION 108-10042
 - 4 SPECIAL REEL WITH 200PCS FOR REEL-FED HAND-TOOL
 - 5 OBSOLETE PARTS: OBSOLETE CIS STREAMLINING PER D.RENAUD/D.SINISI
 - 6 OBSOLETE
 - 7 OMISSION OF 6 CONTACTS MAX PER REEL OF 5000PCS
 - 31 LUBRICATED

NOTES	MATERIAL	THICKNESS	AREA
20	TIN	2,0 μm	ALL OVER
21	NICKEL GOLD TIN	.76 μm .76 μm 1.01 μm	ALL OVER CONTACT AREA BARREL
22	NICKEL GOLD TIN	1.27 μm .76 μm 1.01 μm	ALL OVER CONTACT AREA BARREL
23	NICKEL GOLD GOLD	1,2 μm	ALL OVER CONTACT AREA ALL OVER
27	NICKEL SILVER TIN	2,5 μm	ALL OVER CONTACT AREA BARREL
28	SILVER NICKEL	1,5-2,5 μm 0,76 μm	ALL OVER
29	SILVER	2,5 μm	ALL OVER
30	NICKEL BR TIN	1,27 μm 1,27 μm	ALL OVER ALL OVER

THIS DRAWING IS A CONTROLLED DOCUMENT.

DIMENSIONS:	TOLERANCES UNLESS OTHERWISE SPECIFIED:
mm	0 PLC ± -
	1 PLC ± -
	2 PLC ± -
	3 PLC ± -
	4 PLC ± -
	ANGLES ± -
MATERIAL	FINISH
REFER TABLE	REFER TABLE

DWN M THAJUDEEN 21JUL2015	TE Connectivity TYPE III+, SIZE 16, SOCKET ASS'Y, 24-20 AWG, 1.1-1.8mm DIA INSULATION			
CHK GANI NIMBENNAPPA 21JUL2015				
APVD PRASHANTH S 21JUL2015				
NAME				
PRODUCT SPEC 108-10042	SIZE	CAGE CODE	DRAWING NO	RESTRICTED TO
APPLICATION SPEC 114-19000	A3	00779	C-163087	-
WEIGHT 0.539g	CUSTOMER DRAWING			
SCALE -		SHEET 1 OF 1		REV AE

单击下面可查看定价，库存，交付和生命周期等信息

[>>TE Connectivity\(泰科\)](#)