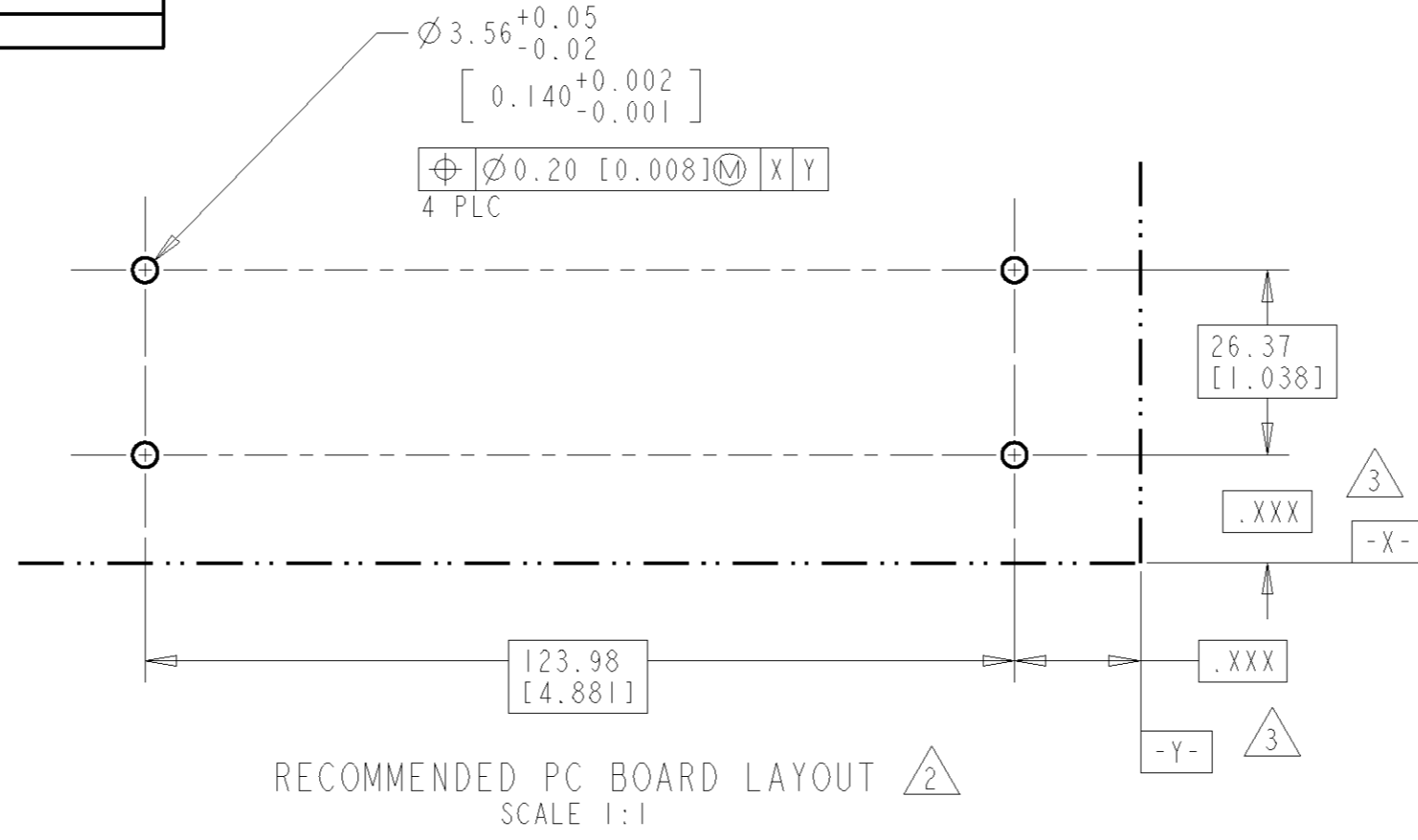
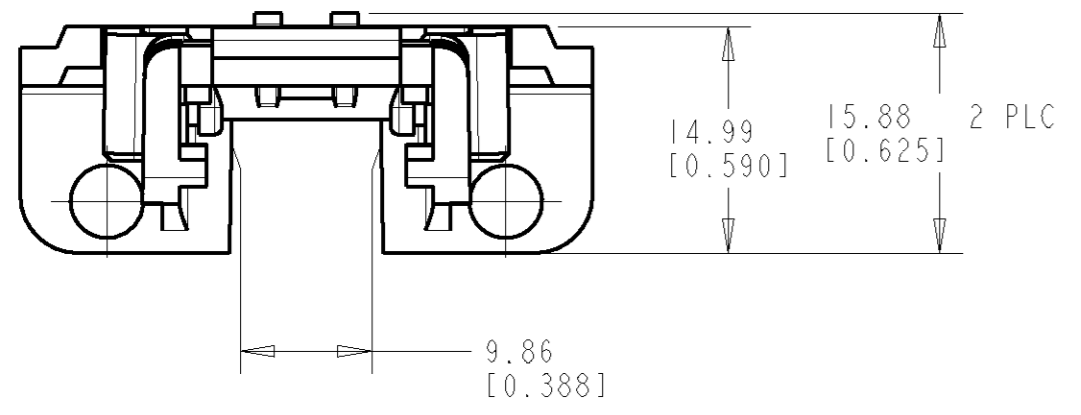
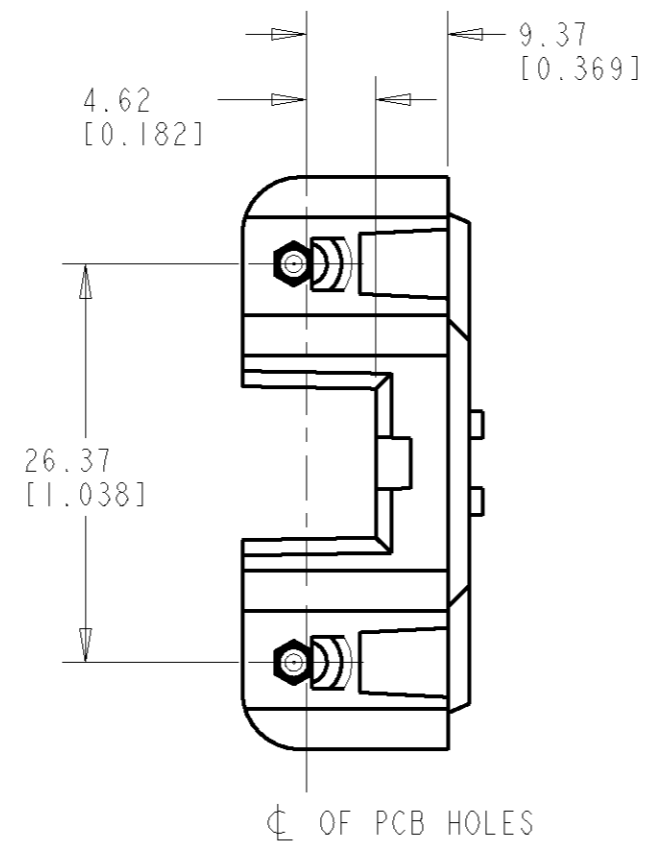
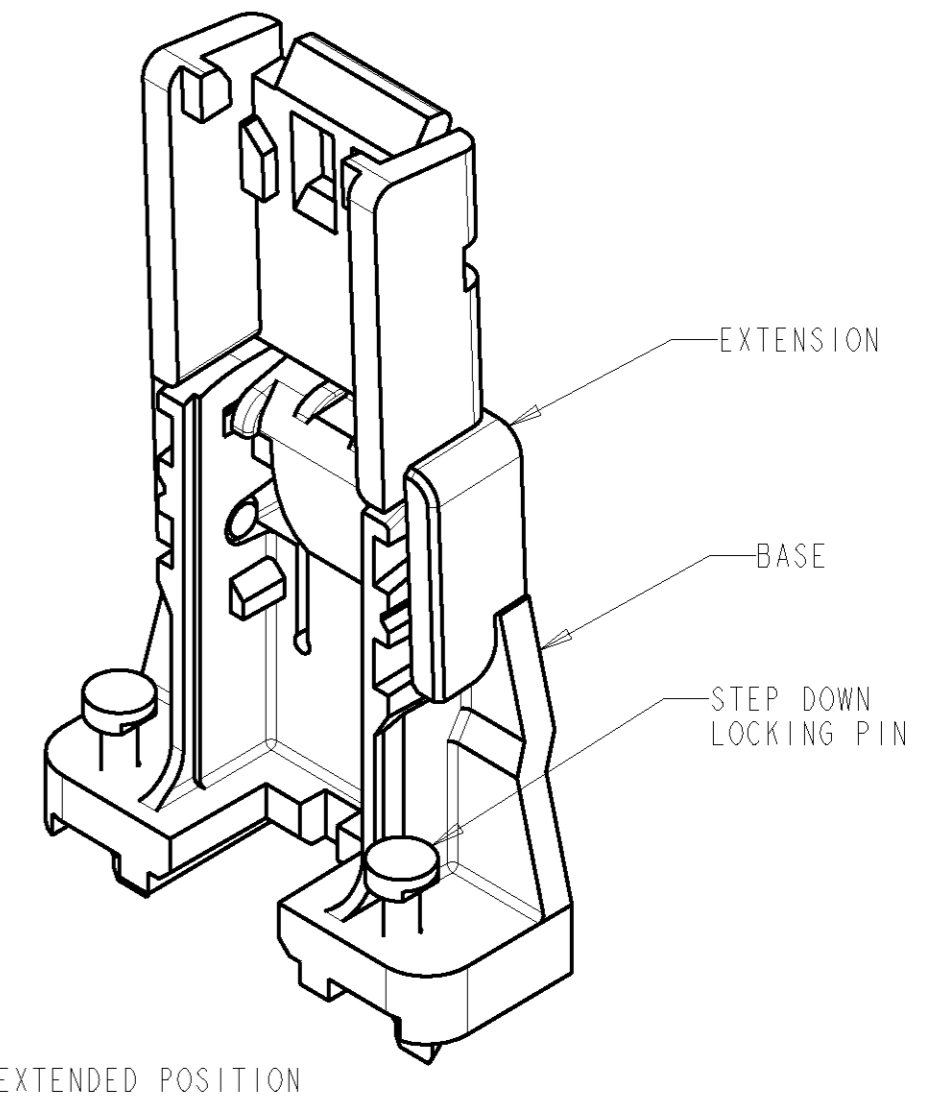
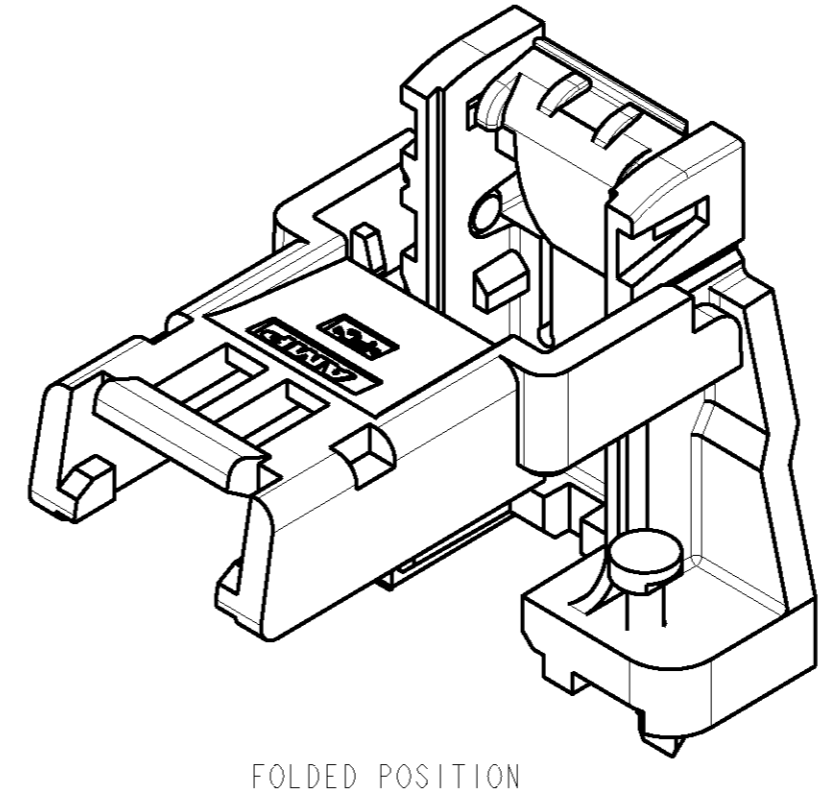
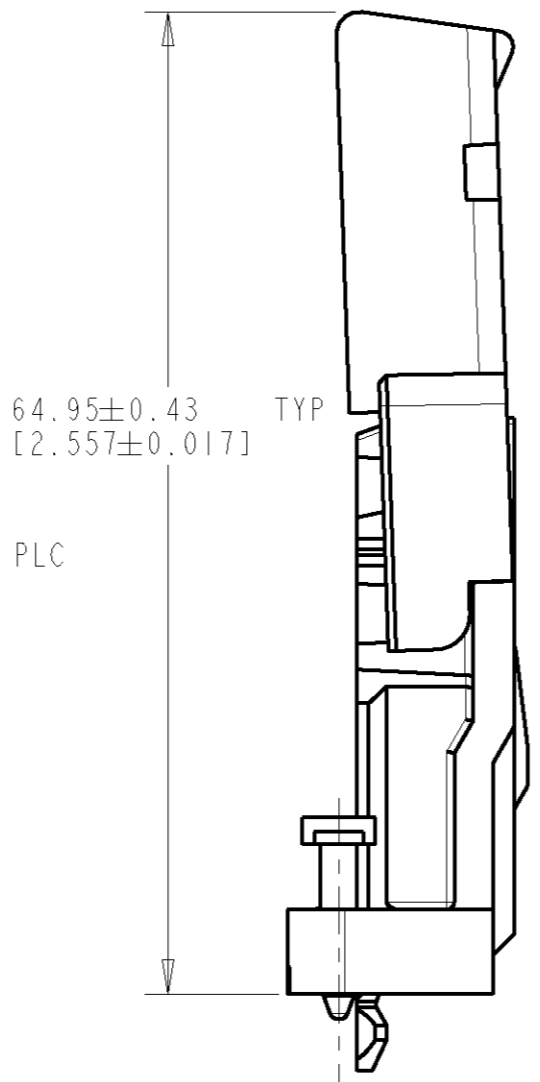
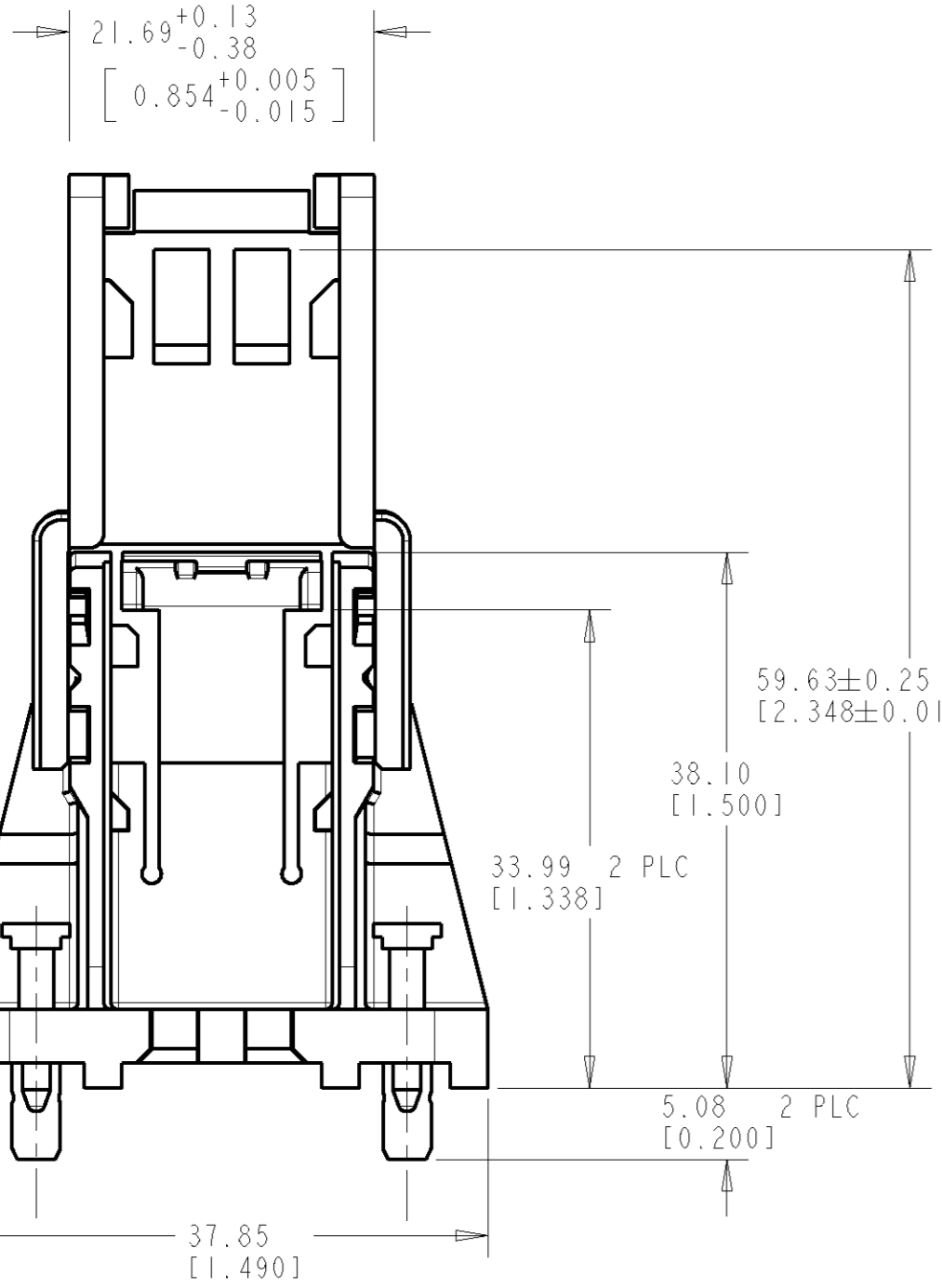


THIS DRAWING IS UNPUBLISHED. RELEASED FOR PUBLICATION .19  
 © COPYRIGHT 19 BY AMP INCORPORATED. ALL RIGHTS RESERVED.

LOC	DIST	REVISIONS					
		P	LTR	DESCRIPTION	DATE	DWN	APVD
AD	14	0		RELEASED	04DEC98	RB	EL
		-		-	-	-	-



- 1 ALL COMPONENTS- UL 94-VO RATED POLYCARBONATE, BLACK.
- 2 RECOMMENDED PC BOARD THICKNESS OF 1.57±0.15[.062±.006].
- 3 DATUM AND BASIC DIMENSIONS ESTABLISHED BY CUSTOMER.
- 4 BULK PACKAGED IN PARTITIONED BOXES IN THE EXTENDED POSITION
- 5 EACH PROCESSOR INSTALLATION REQ'S TWO RETENTION MODULES.



2 MODULES WITH STEP DOWN PINS	145438-2
1 MODULE WITH STEP DOWN PINS	145438-1
DESCRIPTION	5 PART NUMBER

THIS DRAWING IS A CONTROLLED DOCUMENT FOR AMP INCORPORATED. IT IS SUBJECT TO CHANGE AND THE CONTROLLING ENGINEERING ORGANIZATION SHOULD BE CONTACTED FOR THE LATEST REVISION.		DWN R BROWN 04DEC98 CHK E LOTTER 04DEC98 APVD V RUMINSKI 04DEC98	AMP Incorporated Harrisburg, PA 17105-3608
DIMENSIONS: mm [INCHES]	TOLERANCES UNLESS OTHERWISE SPECIFIED: 0 PLC ± 1 PLC ± 2 PLC ±0.20[.008] 3 PLC ± 4 PLC ± ANGLES ±° FINISH -	NAME UNIVERSAL RETENTION MODULE ASSEMBLY KIT, PIN FASTENER RECESSED LATCH PRODUCT SPEC 108-1826 APPLICATION SPEC -	SIZE A2 CAGE CODE 00779 DRAWING NO. 145438 RESTRICTED TO -
MATERIAL		WEIGHT	SCALE 2:1 SHEET 1 OF 1 REV 0
CUSTOMER DRAWING			

单击下面可查看定价，库存，交付和生命周期等信息

[>>TE Connectivity\(泰科\)](#)