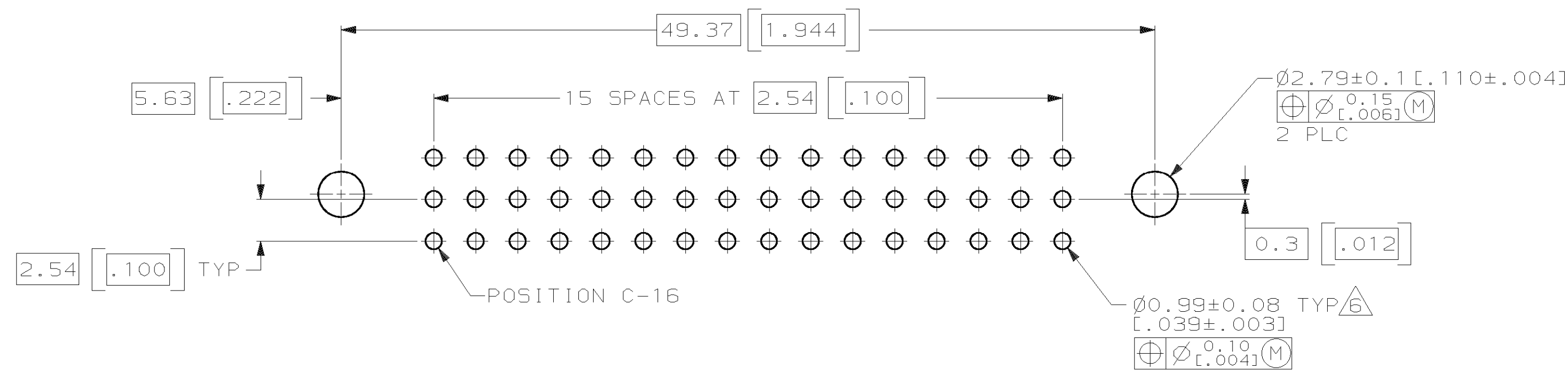
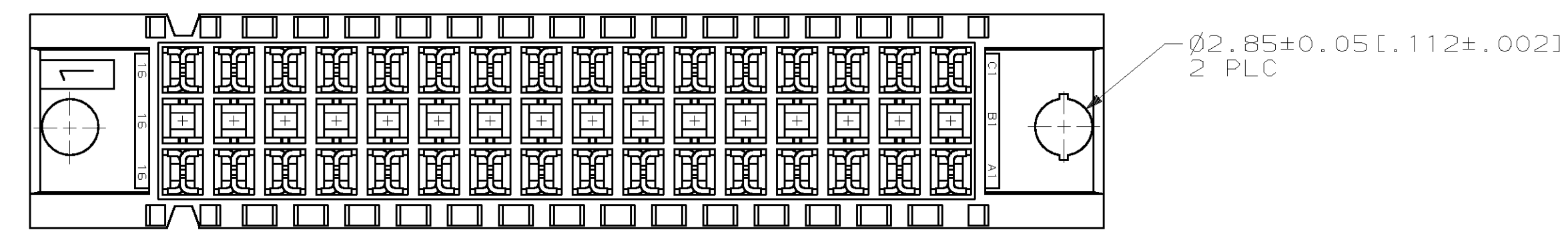
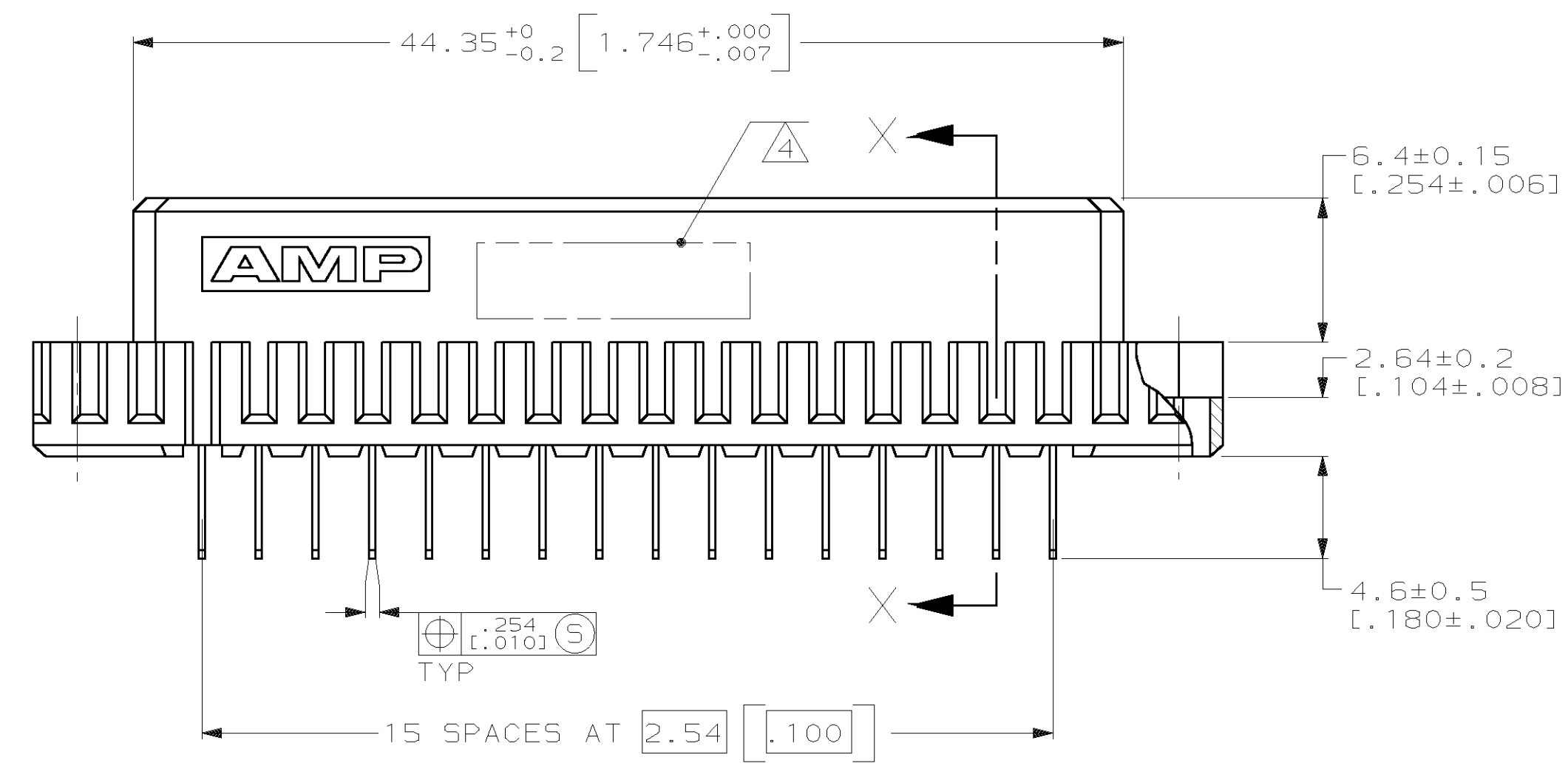
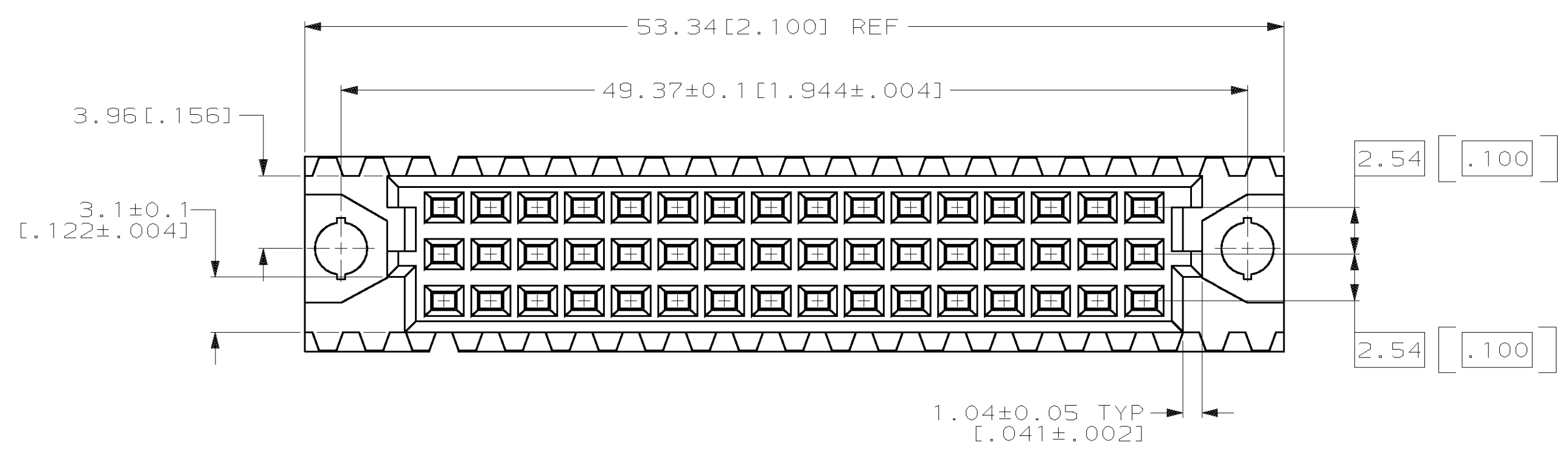
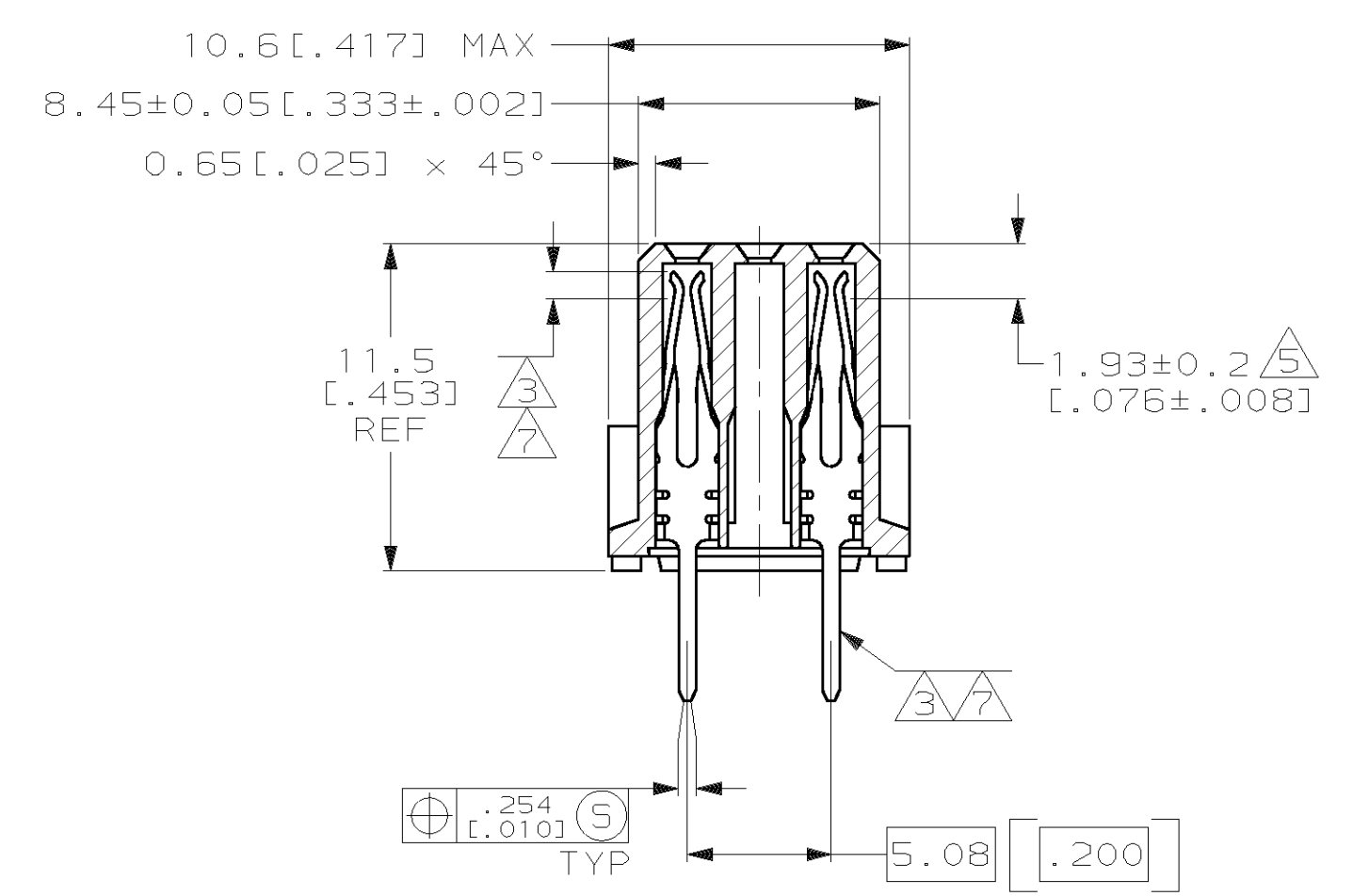


| LOC | | DIST | | P | | ZONE | | LTR | | REVISIONS | | | |
|-----|----|------|--|---|--|------|--|-----|--|-------------|-------------------------|-----------|----|
| AD | 25 | | | | | | | | | DESCRIPTION | DATE | APPD | |
| | | | | | | | | | | E | EC 0504-0113-96 | 12/13/96 | CR |
| | | | | | | | | | | F | REV PER EC 0U1B-0367-00 | 09 JAN 01 | CR |



- 1 HOUSING MATERIAL: GLASS-FILLED POLYESTER. COLOR: GRAY.
- 2 CONTACT MATERIAL: PHOSPHOR BRONZE.
- 3 CONTACT FINISH: 0.00076[.000030] GOLD IN CONTACT AREA. 0.00127[.000050] NICKEL UNDERPLATE ALL OVER. TIN-LEAD ON POSTS.
- 4 PART NUMBER, DATE CODE IDENTIFICATION, CSA LOGO IN THIS APPROXIMATE AREA ON REVERSE SIDE.
- 5 POINT OF MEASUREMENT FOR GOLD.
- 6 RECOMMENDED HOLE SIZE FOR MANUAL APPLICATION OF CONNECTOR ONTO PC BOARD.
- 7 CONTACT FINISH: DIN 41612 CLASS 2 IN CONTACT AREA. TIN-LEAD ON POSTS.



SECTION X-X

| POSITIONS LOADED | C | B | A | NO. OF LOADED POSITION | ASSY PART NUMBER |
|------------------|---|---|---|------------------------|------------------|
| | X | - | X | | |
| 1 THRU 16 | X | - | X | 32 | 650466-5 |
| 1 THRU 16 | X | - | X | 32 | 650466-4 |

| | | |
|--|---|---|
| DO NOT SCALE PRINT. UNLESS SPECIFIED DIMENSIONS IN mm INCHES. TOLERANCES ON: 1 PLC DEC ±- 2 PLC DEC ±0.13[.005] ANGLES ±- | DR L. BRINER 3/12/90 CHK C. RICHARD 1/23/96 APPD C. RICHARD 1/23/96 MATERIAL HSG CONT | NAME RECEPTACLE ASSEMBLY, EUROCARD, TYPE "C" |
| FINISH CONT | APPLICATION SPEC WEIGHT | SIZE D FSCM NO 00779 DRAWING NO 650466 SCALE 4:1 SHEET 1 OF 1 |

单击下面可查看定价，库存，交付和生命周期等信息

[>>TE Connectivity\(泰科\)](#)