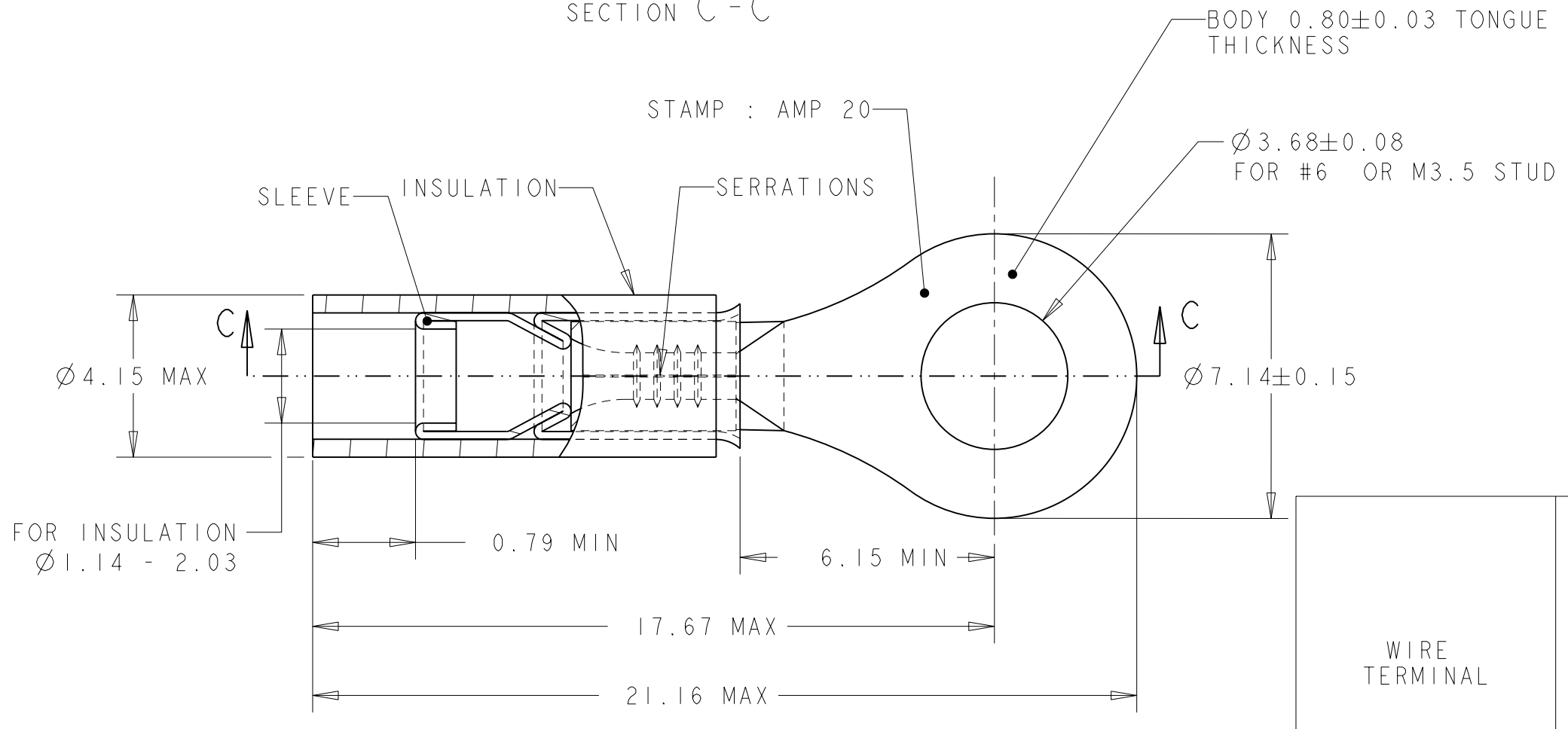
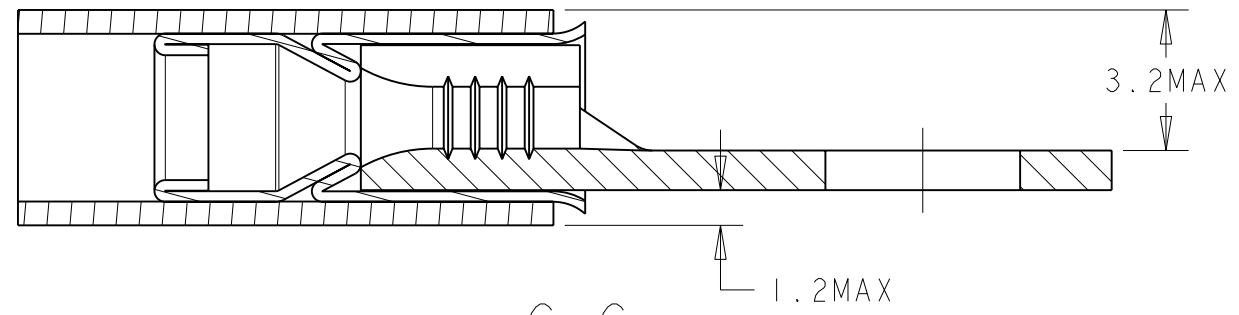
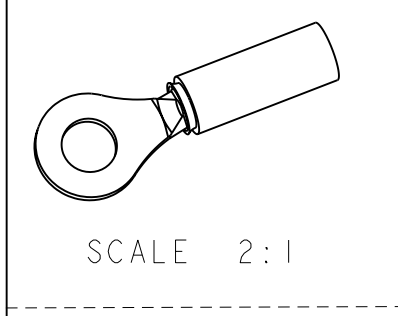


THIS DRAWING IS UNPUBLISHED. RELEASED FOR PUBLICATION 2011
 © COPYRIGHT 2011 ALL RIGHTS RESERVED.

LOC	DIST	REVISIONS			
P	LTR	DESCRIPTION	DATE	DWN	APVD
-	-	A	NEW RELEASE	14JUN2011	SC KRS
-	-	B	ECR-11-020820	14OCT2011	SC KRS



WIRE TERMINAL	2067639-1	BODY : COPPER ANNEALED FINISH : NICKEL PLATED
		SLEEVE : COPPER ANNEALED FINISH : NICKEL PLATED
		INSULATION : PEEK COLOR : GREY
DESCRIPTION	PART NUMBER	MATERIAL & FINISH

THIS DRAWING IS A CONTROLLED DOCUMENT.

DWN	SRIVANI C	14JUN2011	 TE Connectivity	NAME TERMINAL, PEEK PIDG STRATO, 20 AWG					
CHK	SHIVA PRAKASH KR	15JUN2011							
APVD	SHIVAPRAKASH KR	15JUN2011							
PRODUCT SPEC	108-15356								
APPLICATION SPEC	114-15102		SIZE	CAGE CODE	DRAWING NO	RESTRICTED TO			
MATERIAL	SEE TABLE	FINISH	SEE TABLE	WEIGHT	0.67 gr	A300779	C=2067639		
CUSTOMER DRAWING				SCALE	3:1	SHEET	1 OF 1	REV	B

单击下面可查看定价，库存，交付和生命周期等信息

[>>TE Connectivity\(泰科\)](#)