

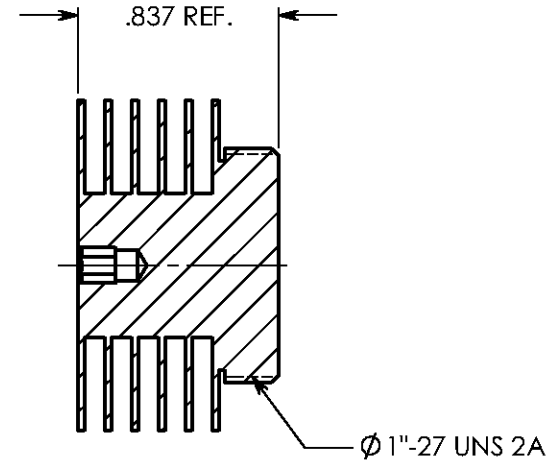
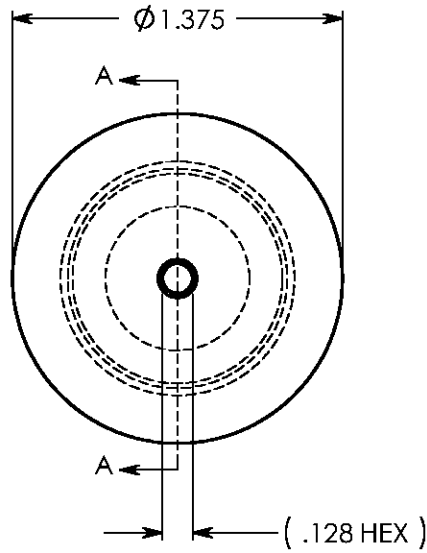
CONFIDENTIAL PROPERTY OF TYCO ELECTRONICS. NOT TO BE DISCLOSED TO OTHERS. REPRODUCED OR USED FOR ANY PURPOSES EXCEPT AS AUTHORIZED IN WRITING BY AN AUTHORIZED OFFICIAL OF TYCO. MUST BE RETURNED TO TYCO ON DEMAND, ON COMPLETION OF ORDERS OR OTHER PURPOSES FOR WHICH LENT.

REF PART NO:

REVISION(S)

LTR	DESCRIPTION	INIT	APP'D
A	NEW RELEASE	K.B 4/11/99	C.R 4/11/99
B	REDRAWN	K.B 9/12/99	C.R 9/12/99
C	ECO#206	K.B 6/16/00	C.R 6/16/00
D	ECN: 0S60-0003-04	E.T 1/8/04	C.R 1/8/04
E	ECN: 0S60-0152-05	E.T 5/25/05	B.P 5/25/05

CUSTOMER DRAWING



SECTION A-A

P/N	FINISH
1542198-4	CLEAR IRIDITE SALEABLE PACKAGED VERSION

TOLERANCES UNLESS OTHERWISE SPECIFIED		CAD GENERATED DRAWING.		tyco / <i>Electronics</i> Attleboro Falls Massachusetts 02783	
ANGLES = ± 1°		DO NOT MANUALLY UPDATE		DESCRIPTION	
FRACTIONS = ± .02		APPROVALS		HEAT SINK (HTS487)	
.XX = ± .010		DATE		DIMENSIONS ARE IN: INCHES	
.XX X = ± .005		DRAWN: K.B 10/23/01		SCALE: 1.25:1	
MATERIAL: ALUM.		CHECKED: C.R 10/23/01		TYCO PART NO: SEE TABLE	
FINISH: SEE TABLE		APP'D BY:		SIZE: A	
				DWG. NO. C-1542198	
				SHEET: 1 OF 1	
				REV: E	

单击下面可查看定价，库存，交付和生命周期等信息

[>>TE Connectivity\(泰科\)](#)