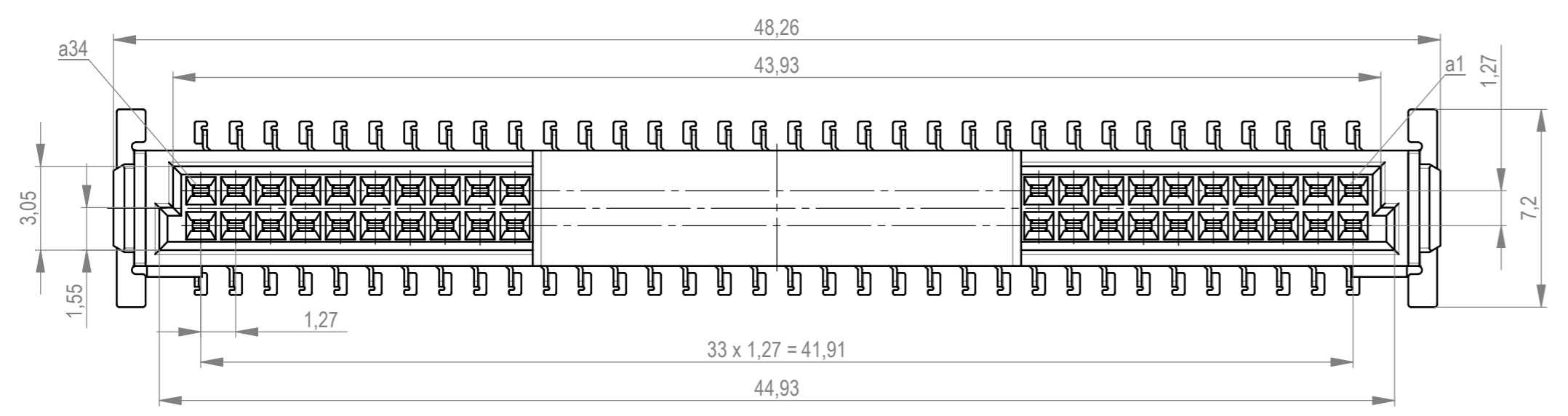
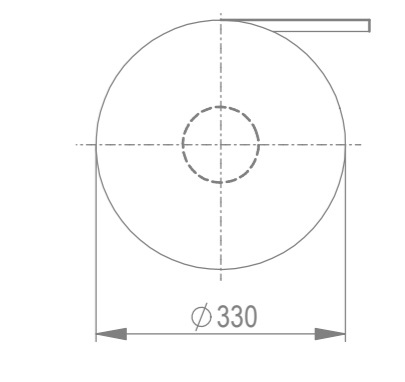
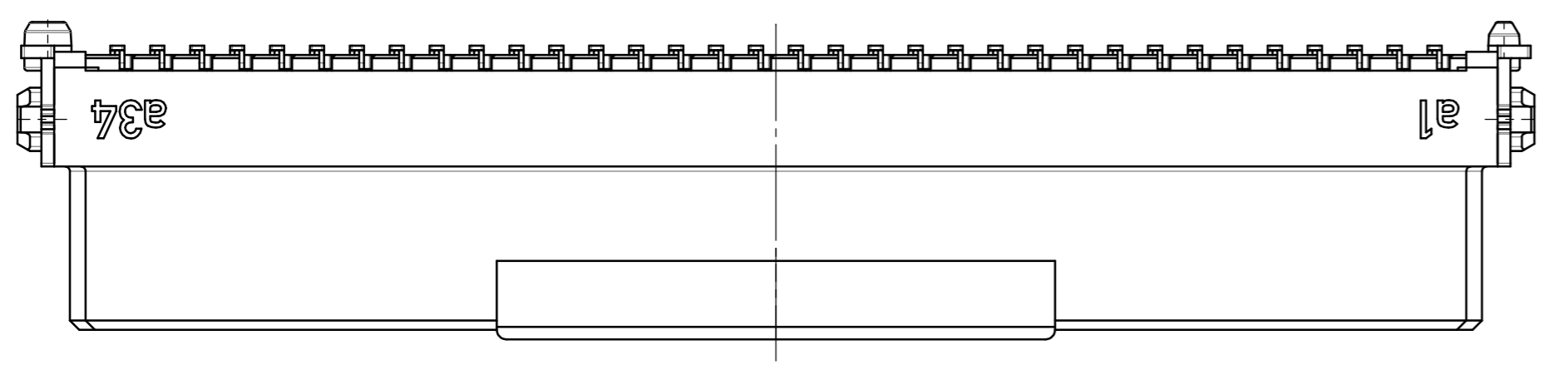
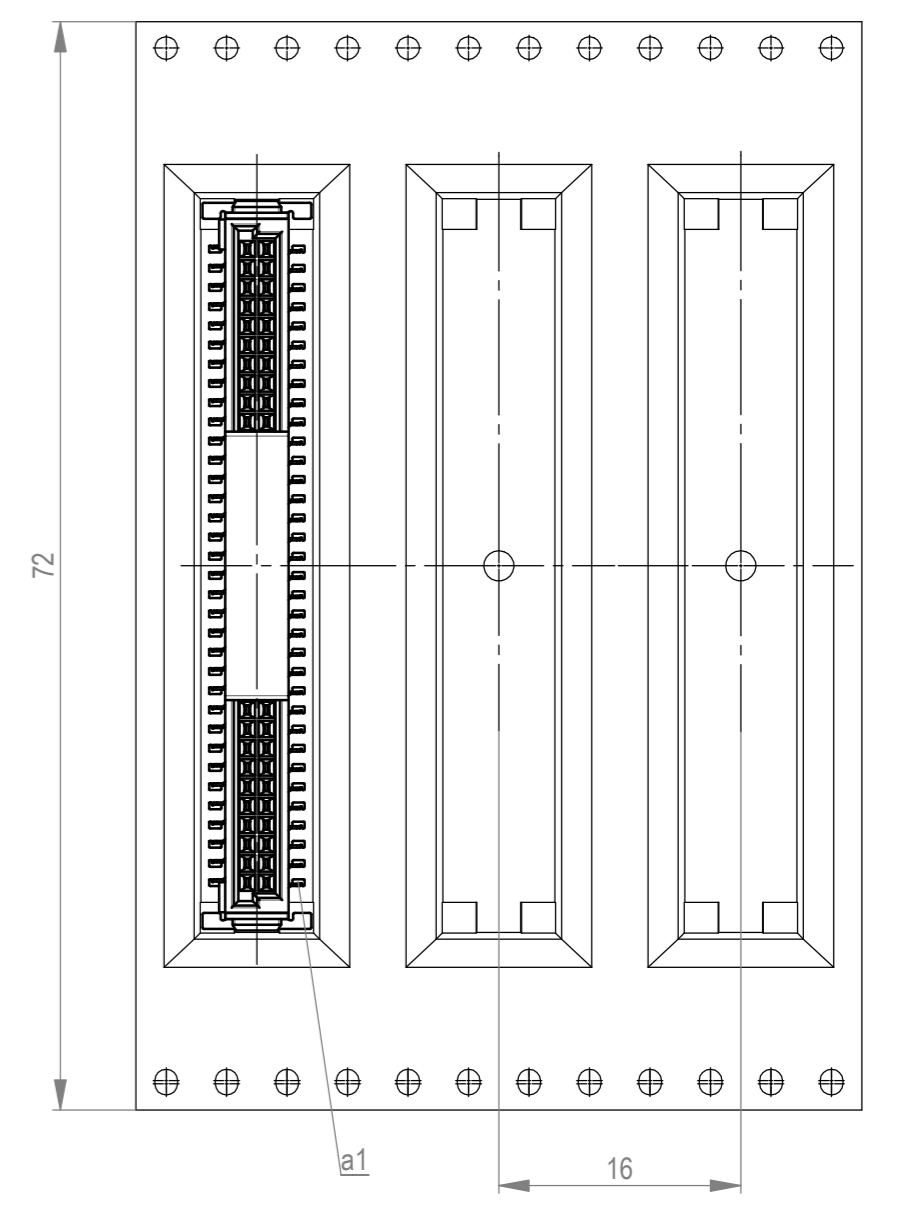


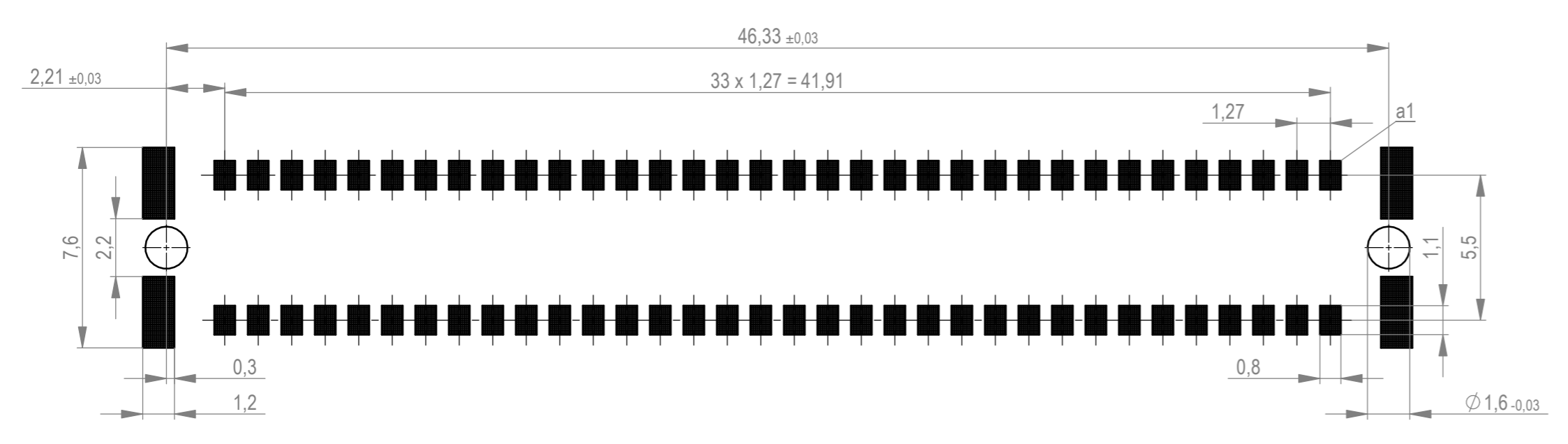
Verpackt im Gurt in Anlehnung an DIN IEC 60286-3  
 tape on reel packaging according to DIN IEC 60286-3  
 Verpackungseinheit: 280 Stück  
 packaging unit: 280 pcs



Abspulrichtung - reel off direction



Leiterplatten-Layout Vorschlag für SMT  
 PCB-Layout Proposal for SMT



Anforderungsstufe 1  
 performance level 1  
 Kontaktbereich vergoldet  
 mating area gold plating  
 Anschlussbereich verzinkt 4-6 µm  
 terminal area 4-6 µm tin plating  
 Koplanarität der Anschlüsse ≤ 0,1 mm  
 coplanarity area of termination ≤ 0,1 mm

BA 7-03 - Standard Bauhöhe  
 type 7-03 - standard assembly height

Die deutsche Version dieser Zeichnung dient nur zur Einweisung der Handlung. Bei Abweichungen vom englischen Original gilt das englische Original. The drawing has been created for convenience only and may deviate from the original. In case of any deviation the English version shall prevail.

Dimension no.	Tolerances	Scale	5:1
	ISO 8015	Material	
Customer drawing:	Subject to modification without prior notice. Drawing will not be updated.		
All rights reserved. Only for information. To ensure that this is the latest version of this drawing, please contact one of the ERNI companies before using.		ERNI International AG Zürichstrasse 72 8306 Brüttisellen - Zürich Switzerland	
f	19.05.2021	<b>Federl. SMC-B 68-SMD-BA7-03</b> <b>Female SMC-B 68-SMD-type7-03</b> <b>154720</b>	
Index	Date	Class	SMCB

单击下面可查看定价，库存，交付和生命周期等信息

[>>TE Connectivity\(泰科\)](#)