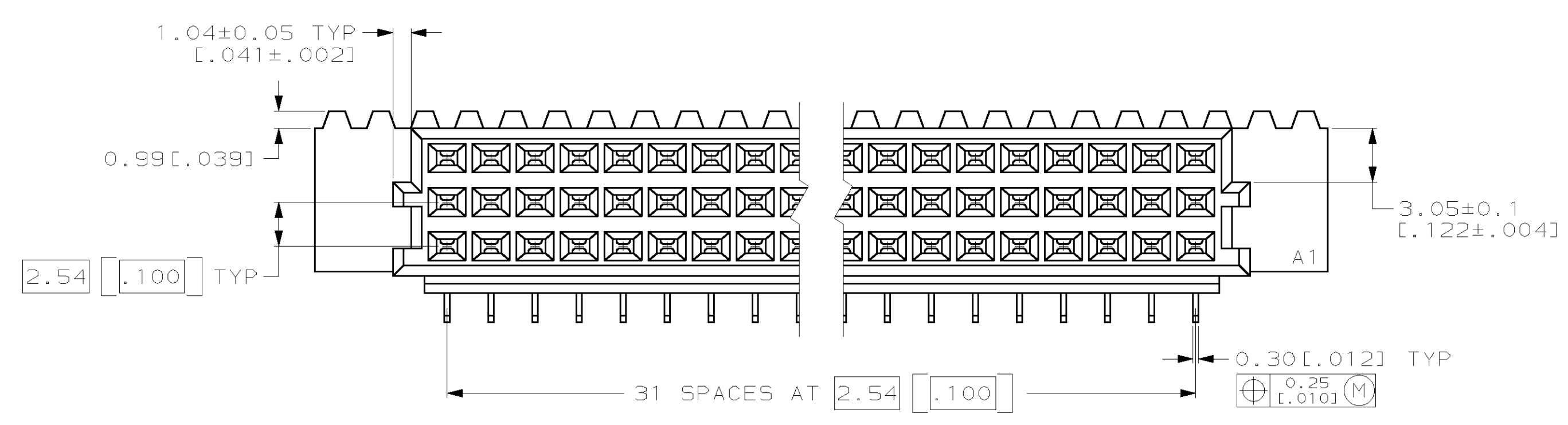
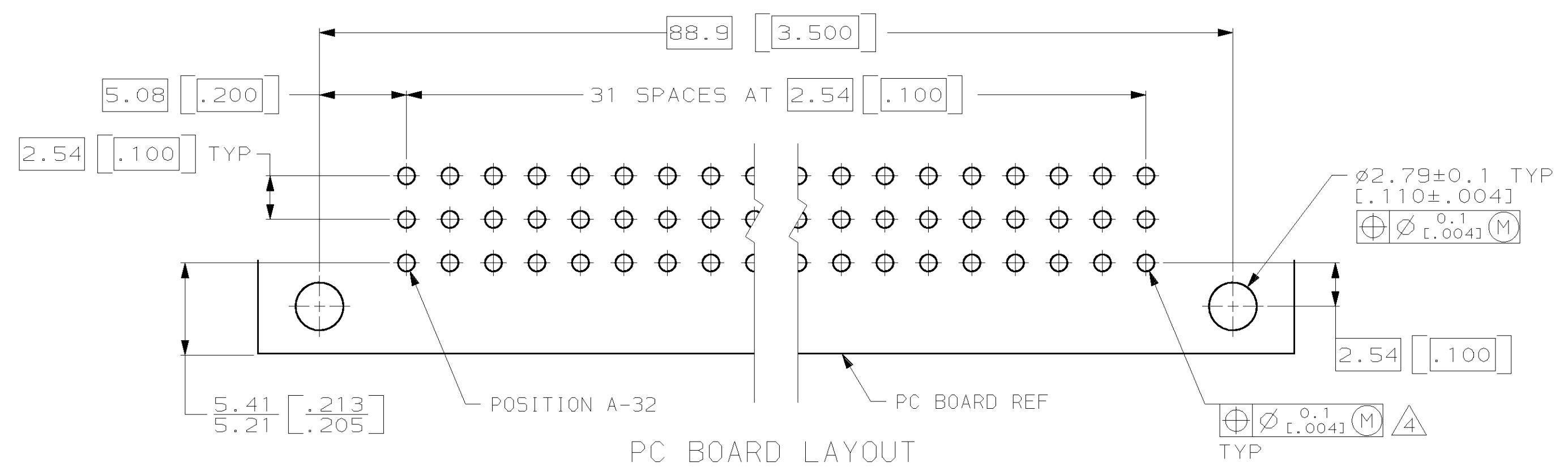
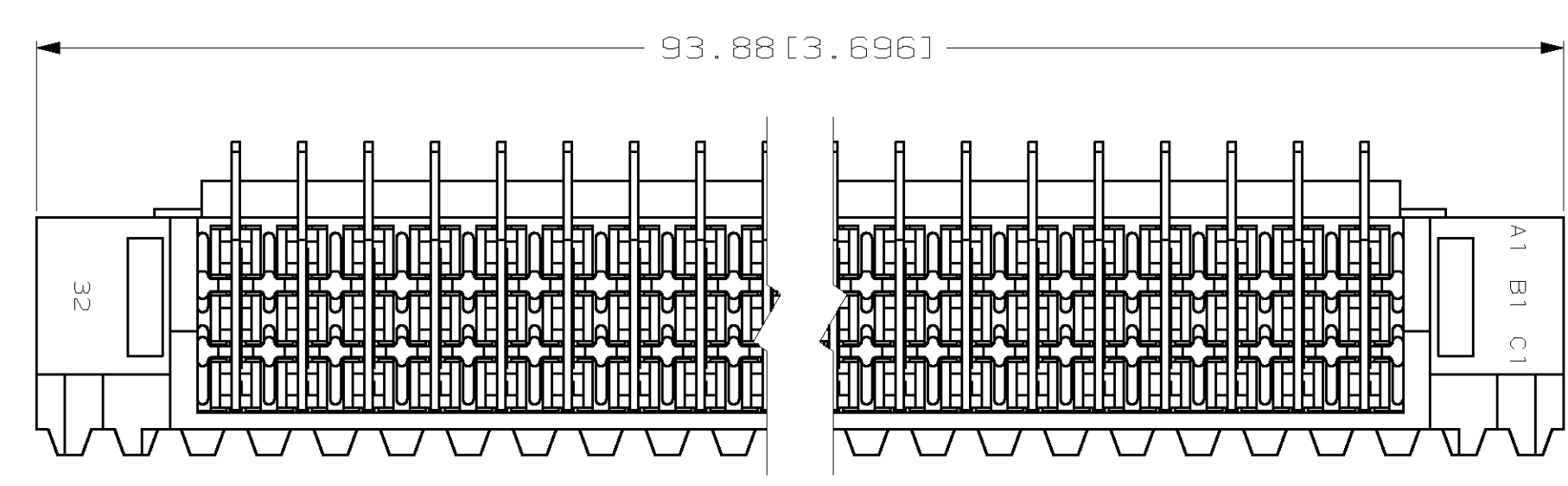
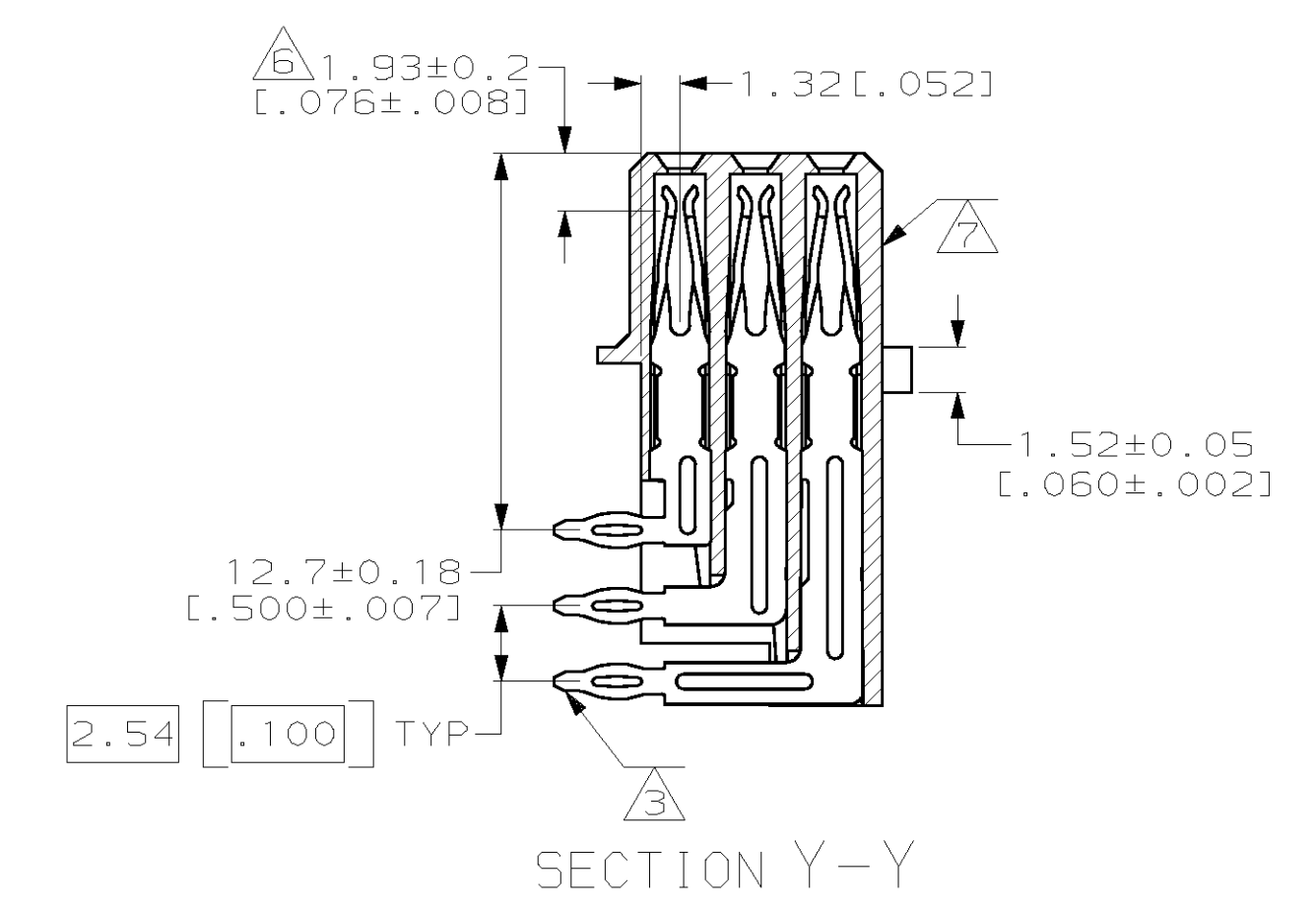
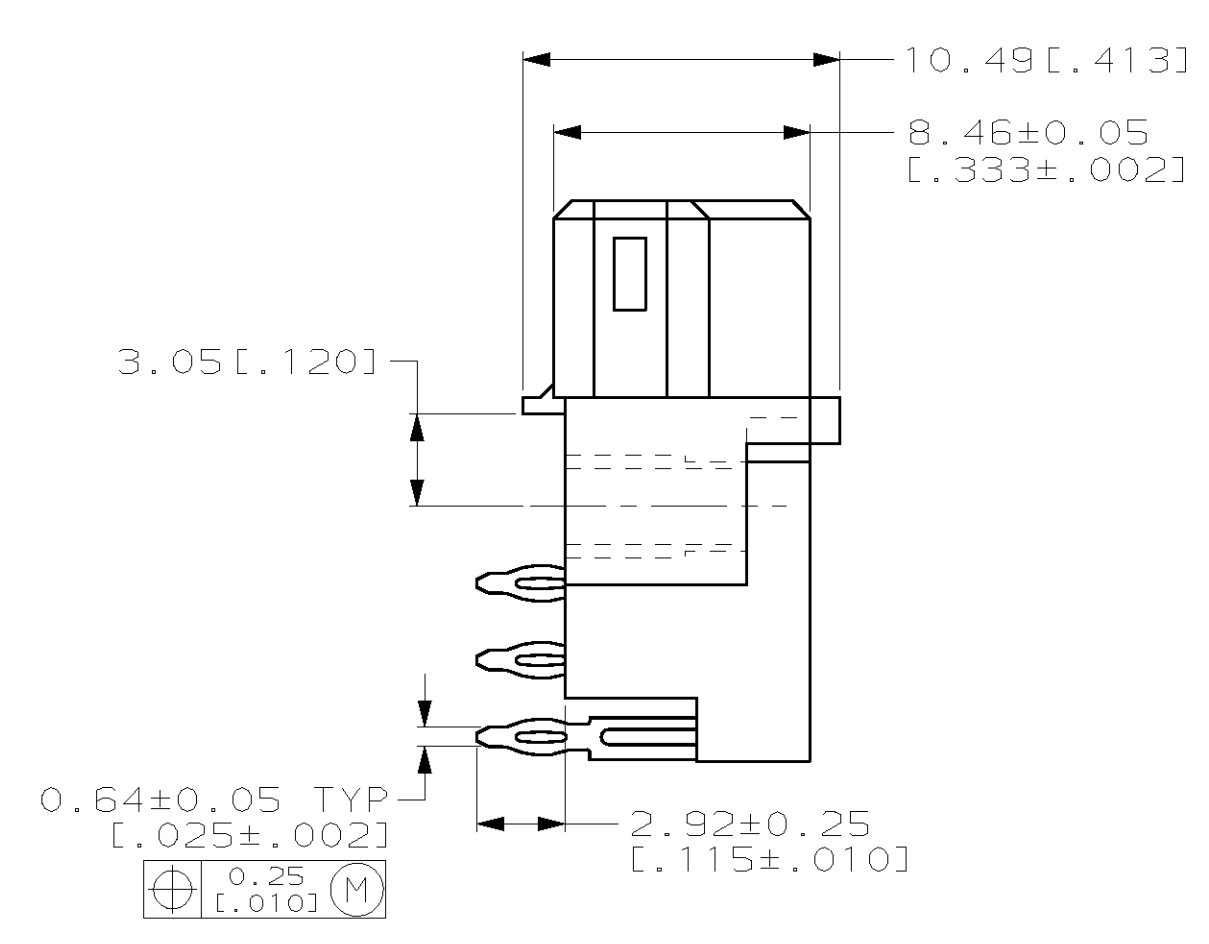
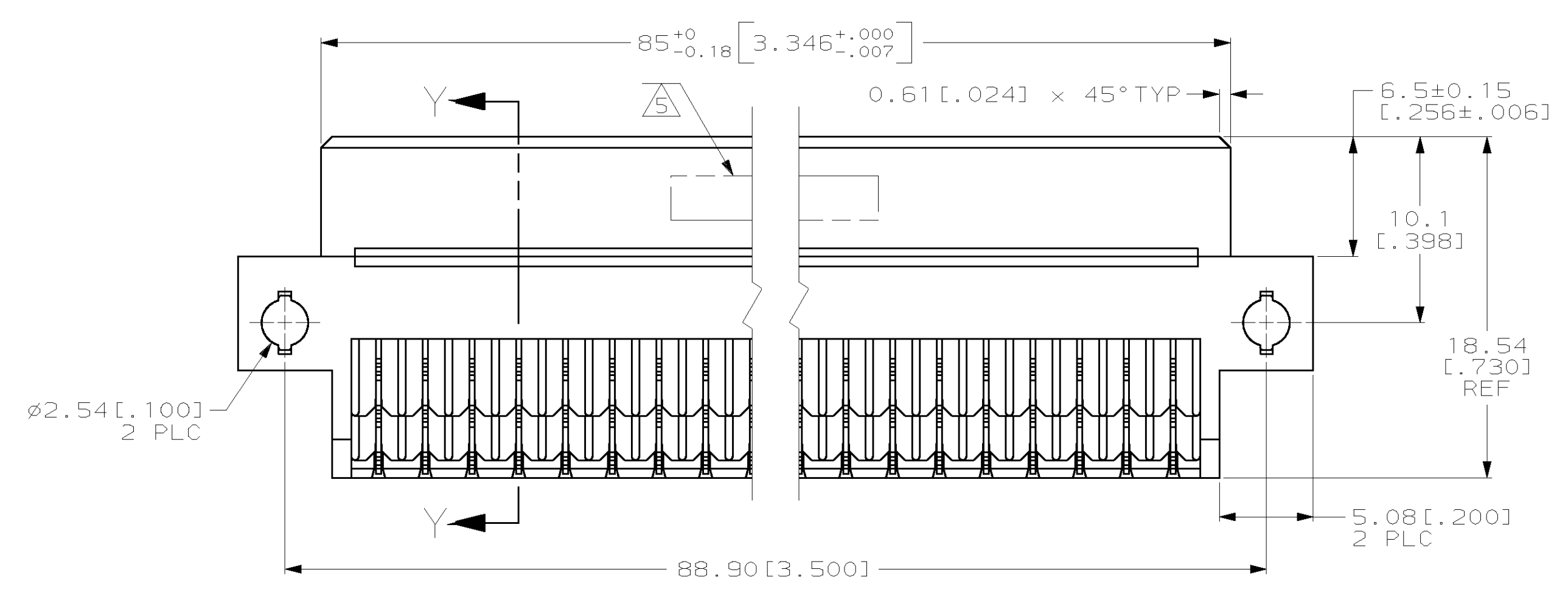


REVISIONS		DATE	OWN	APPROV
AD	25			
0	DRAWN; WAS 96-5653-052-1	-	-	-
A	EC 0504-0145-96	12/18/96	LSB	RAP
B	EC 0504-0058-97	4/10/97	LSB	RAP
C	REV PER EC 0621-50-99	26 MAY 99	BC	CR



- △ HOUSING MATERIAL: GLASS-FILLED POLYESTER. COLOR: GRAY.
- △ CONTACT MATERIAL: PHOSPHOR BRONZE.
- △ CONTACT FINISH: DIN 41612 CLASS 2 IN CONTACT AREA. TIN-LEAD PLATE ON POSTS.
- △ COMPLIANT PIN REQUIRES 1.57[.062] MINIMUM THICK PC BOARD. RECOMMENDED PC BOARD HOLES ARE $\phi 1.151 \pm 0.025$ [.0453±.0010] DRILLED HOLES WITH 0.02-0.08 [.001-.003] COPPER AND 0.008 [.0003] MINIMUM TIN-LEAD PLATING. FINISHED HOLES AFTER PLATING, $\phi 0.94-1.09$ [.037-.043].
- △ PART NUMBER, DATE CODE IDENTIFICATION, CSA LOGO HOT-STAMPED THIS APPROXIMATE AREA.
- △ CONTACT POINT.
- △ HOT-STAMPING ON THIS SIDE.



148292-5
PART NUMBER

THIS DRAWING IS A CONTROLLED DOCUMENT.		DWN L. BRINER 9/5/96	AMP Incorporated Harrisburg, PA 17105-3608
DIMENSIONS mm (INCHES)		CHK R. PATTERSON 9/5/96	NAME RECEPTACLE ASSEMBLY, EUROCARD, TYPE R, PRESS-FIT, 96 POSITION
TOLERANCES UNLESS OTHERWISE SPECIFIED:		APPROV R. PATTERSON 9/5/96	SIZE A1
0 PLC ±	1 PLC ±	PRODUCT SPEC	CAGE CODE 00779
2 PLC ±0.13(.005)	3 PLC ±	APPLICATION SPEC	DRAWING NO 148292
4 PLC ±	5 PLC ±	WEIGHT	SCALE 4:1
ANGLES ±	FINISH	CUSTOMER DRAWING	SHEET 1 OF 1
MATERIAL HOUSING: △ POST: △	FINISH	WEIGHT	REV C

单击下面可查看定价，库存，交付和生命周期等信息

[>>TE Connectivity\(泰科\)](#)