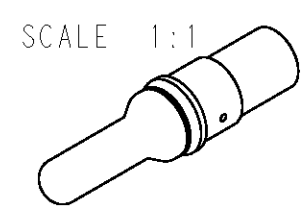
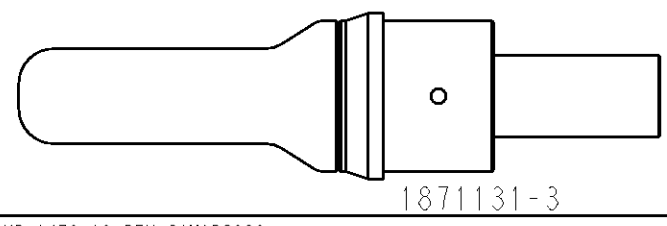
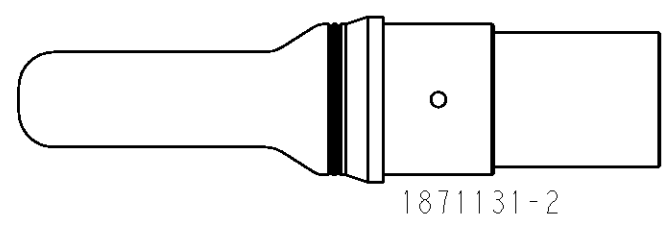
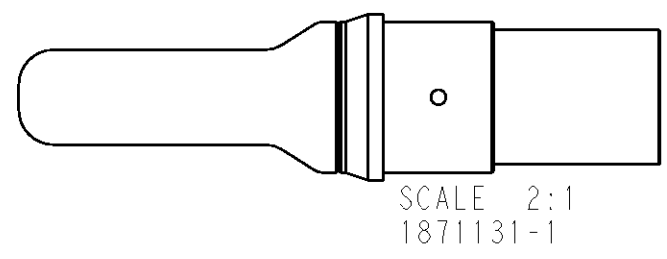
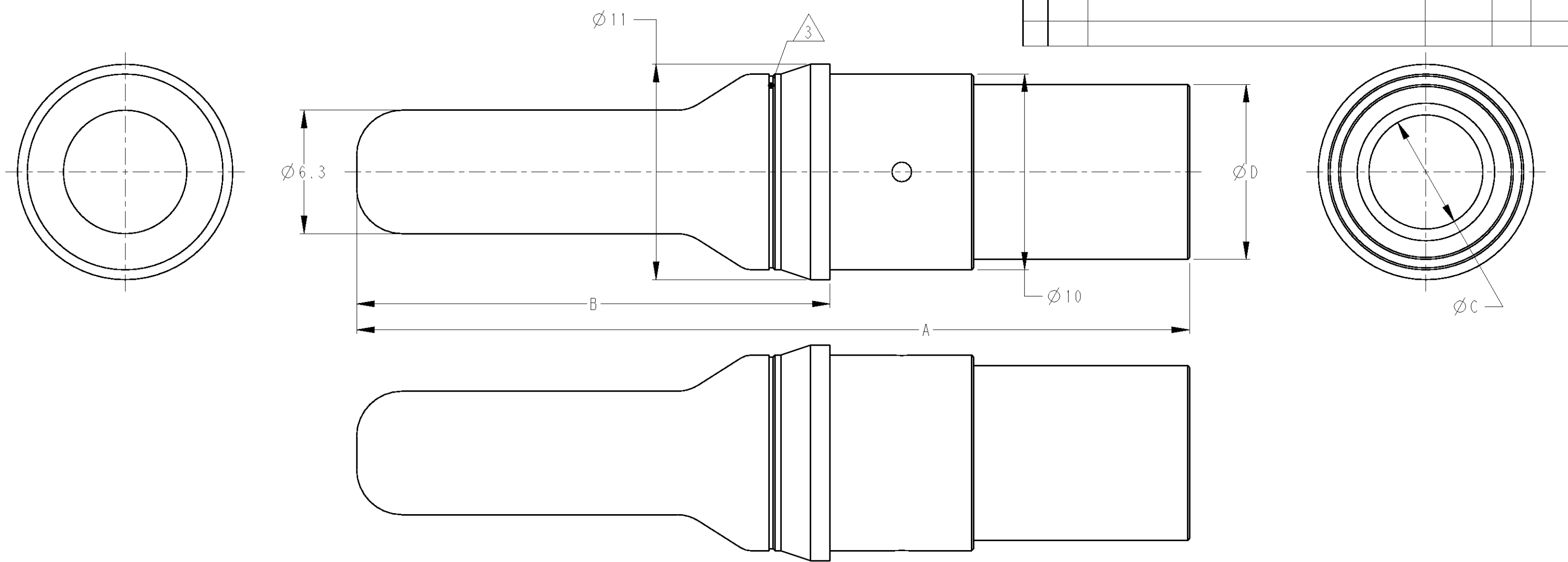


THIS DRAWING IS UNPUBLISHED. RELEASED FOR PUBLICATION 20
 © COPYRIGHT 20 BY TYCO ELECTRONICS CORPORATION. ALL RIGHTS RESERVED.

LOC	DIST	REVISIONS					
J	-	P	LTR	DESCRIPTION	DATE	DWN	APVD
		A		RELEASED	31JUL2010	M.M	N.Y
		B		REVISED	31AUG2010	M.M	N.Y

AS SHOWN : 1871131-1



- ① MATERIAL : COPPER
- ② FINISH : SILVER PLATED ALL OVER 2.54μmMIN AFTER NICKEL PLATED ALL OVER 1.3μmMIN
- ③ ID MARK FOR WIRE SIZE.
- 4 .APPLICATED CRIMP HAND TOOL :
 - -1871131-1 : 59975-1 (SET NO 6)
 - -1871131-2 : 59975-1 (SET NO 6)
 - -1871131-3 : 409777-1 (SET NO 5.5)

2.7~6.6 (AWG #12-10)	1 LINE	5.4	3.4	28.1	46.4	#10 LONG	1-1871131-3
		5.4	3.4	24.1	42.4	#10 NOMAL	1871131-3
6.7~10.5 (AWG #8)	2 LINE	8.9	4.5	28.1	46.4	# 8 LONG	1-1871131-2
		8.9	4.5	24.1	42.4	# 8 NOMAL	1871131-2
10.6~16.7 (AWG #6)	1 LINE	8.9	5.8	28.1	46.4	# 6 LONG	1-1871131-1
		8.9	5.8	24.1	42.4	# 6 NOMAL	1871131-1
WIRE RANGE (mm ²) (AWG # REF)	ID MARK	D	C	B	A	DESCRIPTION	PART NO

THIS DRAWING IS A CONTROLLED DOCUMENT FOR TYCO ELECTRONICS CORPORATION IT IS SUBJECT TO CHANGE AND THE CONTROLLING ENGINEERING ORGANIZATION SHOULD BE CONTACTED FOR THE LATEST REVISION.

DIMENSIONS:	TOLERANCES UNLESS OTHERWISE SPECIFIED:
单位: 毫米	一般公差 ±0.3, ±5°
mm	0 PLC ±
	1 PLC ±
	2 PLC ±
	3 PLC ±
	4 PLC ±
	ANGLES ±
MATERIAL 材料	FINISH 仕上
①	②

DWN M. MAEBASHI 31JUL2010	Tyco Electronics Corporation Kawasaki, Japan	
CHK N. YAMASAKI 31JUL2010	DYNAMIC D7000 SERIES PIN CONTACT	
APVD N. YAMASAKI 31JUL2010	NAME 名称	
PRODUCT SPEC 製品規格 108-78470	SIZE 寸法	A3
APPLICATION SPEC 取付適用規格 114-5452	CAGE CODE 番号	00779
WEIGHT 重量	DRAWING NO 番号	1871131
CUSTOMER DRAWING	RESTRICTED TO	-
SCALE 尺度	SHEET 張	1 OF 1
	REV	B

单击下面可查看定价，库存，交付和生命周期等信息

[>>TE Connectivity\(泰科\)](#)