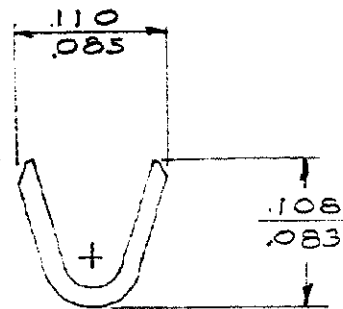
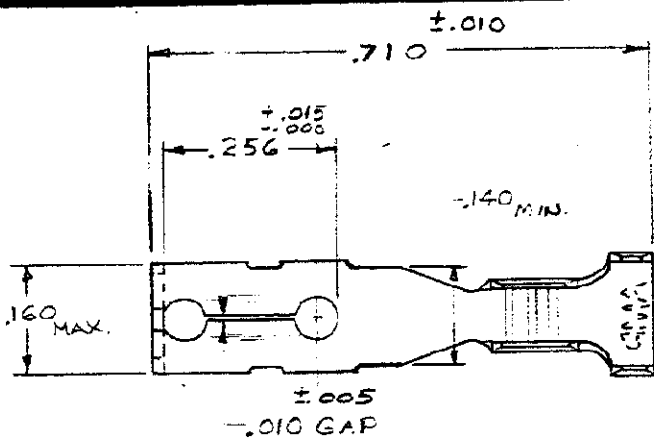
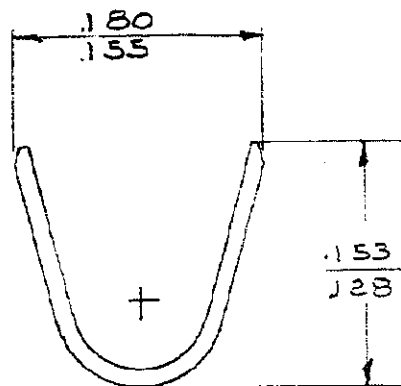
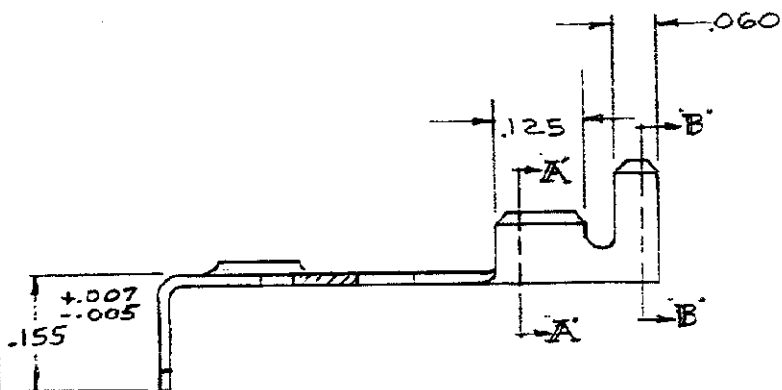


NUMBER  
61656

U

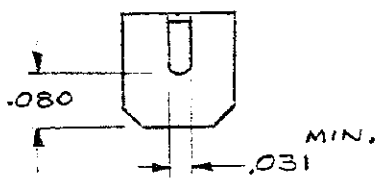


SECT. A-A



SECT. B-B

TERMINAL NUMBER  
61656-1



FRONT VIEW

DIMENSIONS IN INCHES. DO NOT SCALE PRINT.

©1969 BY AMP INCORPORATED. ALL RIGHTS RESERVED. AMP PRODUCTS COVERED BY PATENTS AND/OR PATENTS PENDING.

CUSTOMER COPY  
REFERENCE ONLY

C	Revised A 47	AP	2/18
B	RELEASED REVISED 1600	NEN	4/1/69
A	REVISED	AP	1507 4/24/69

MATERIAL AND FINISH  
.012 PH-BRONZE  
NONE

**AMP** AMP INCORPORATED  
HARRISBURG, PENNA.

CLASS           
TYPE         

WIRE RANGE INSULATION  
22-18 .075-.110

TOLERANCE EXCEPT AS NOTED  
± .015 ± 1°

LOC **AF** NO **61656** REV **C**

PRINT 50	REVISION RECORD	DR	CHK	DATE
	DR <b>N.E. NEFF</b>			5-28-69
	CHK	DE <b>DIM PRITZL-SKY</b>		

NAME **CLIP, TAB**

单击下面可查看定价，库存，交付和生命周期等信息

[>>TE Connectivity\(泰科\)](#)