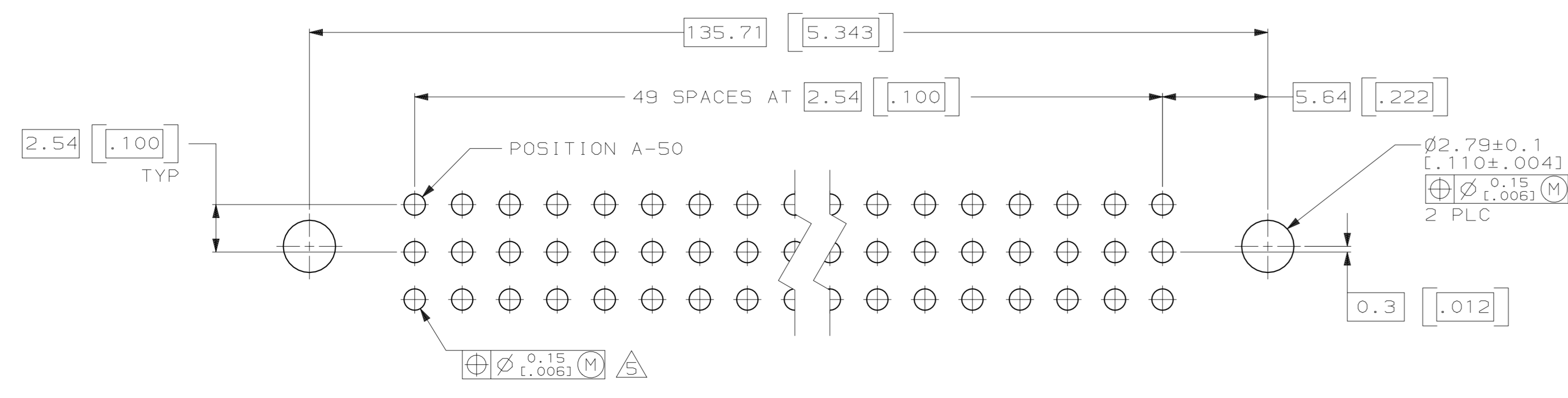
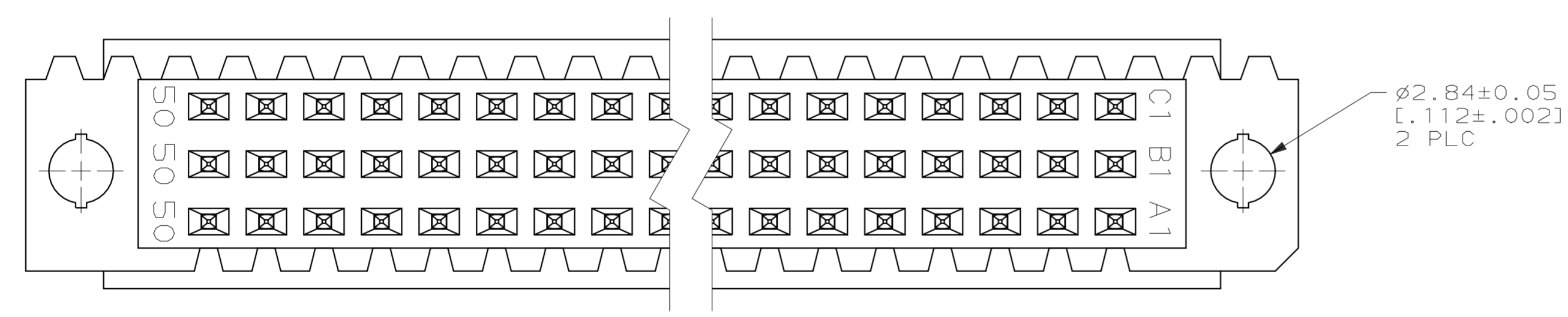
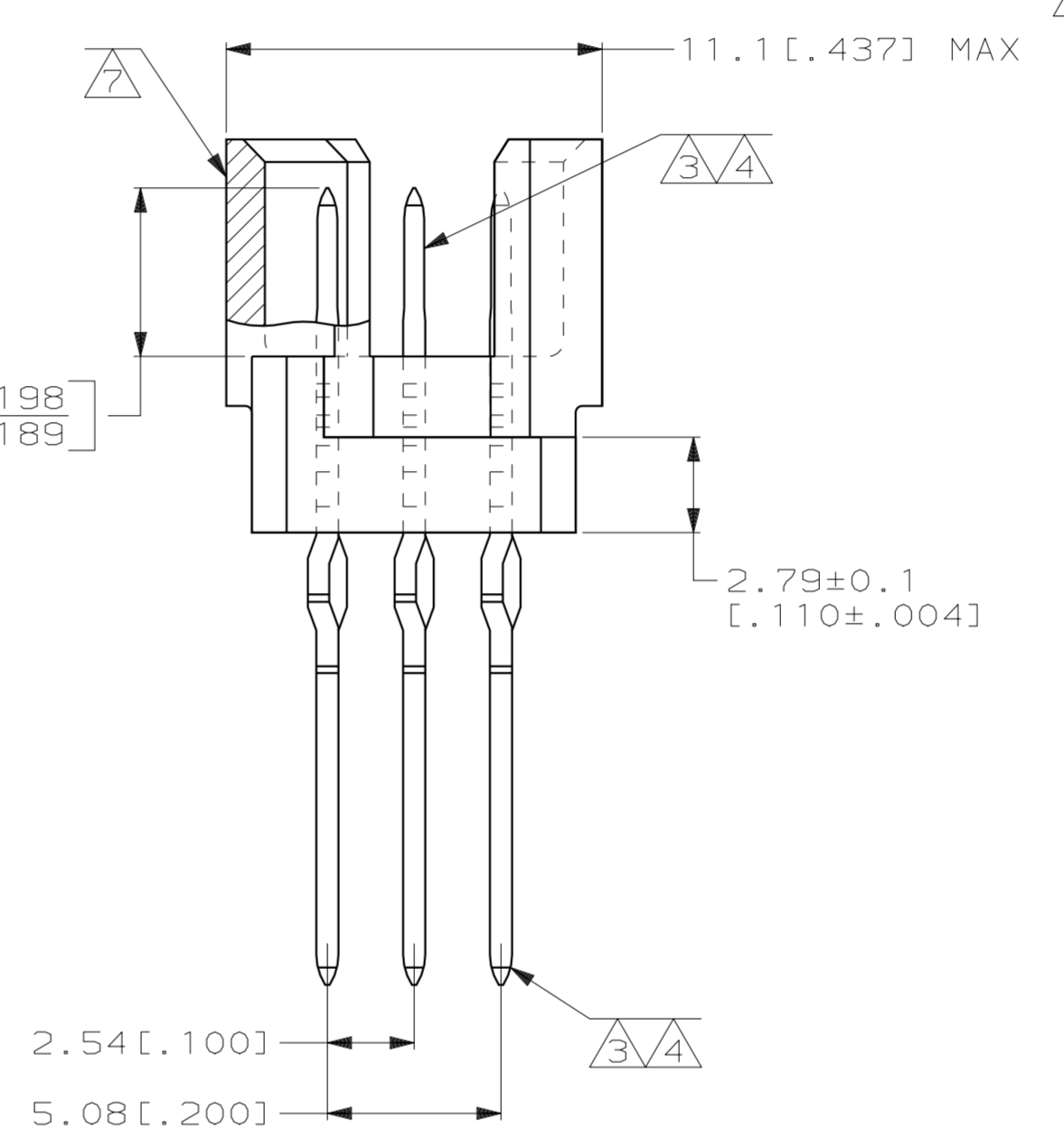
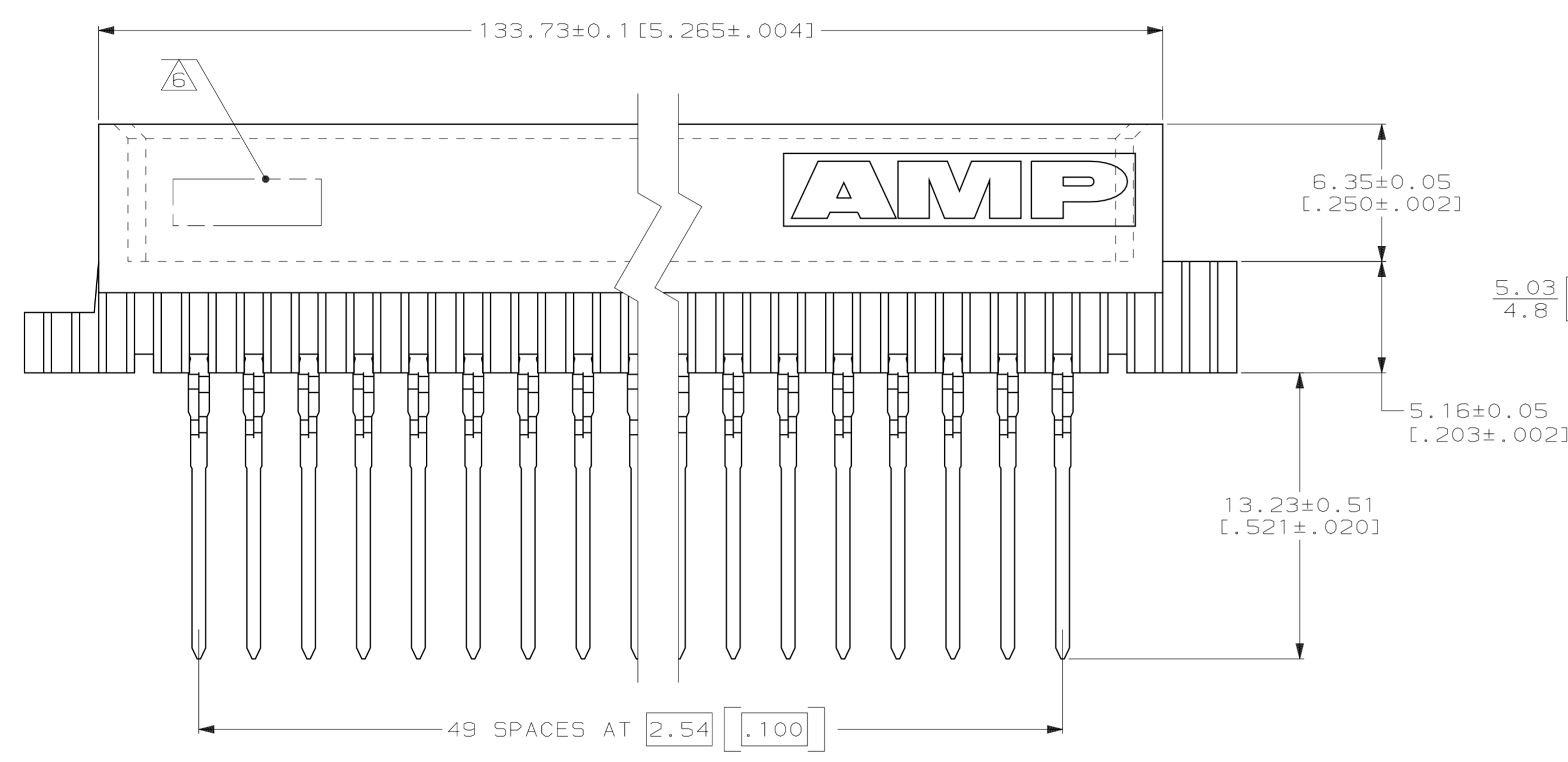
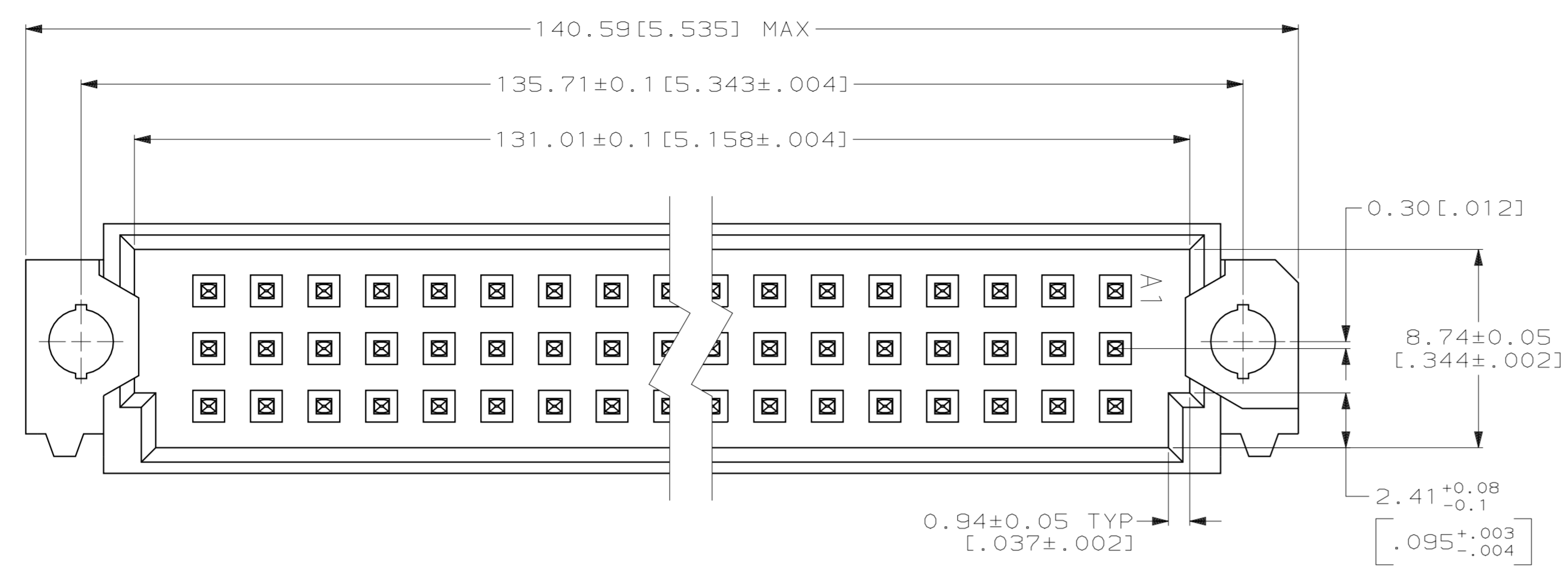


LOC	DIST	P	F	ZONE	LTR	REVISIONS	DATE	APPD
AD	25					0		
						B	6/10/91	LSB
						C	11/14/91	LSB
						D	12/30/91	LSB
						E	6/2/92	LSB
						F	5/28/93	LSB
						G	2/7/94	LSB
						H	3/25/94	LSB



- △ HOUSING MATERIAL: GLASS-FILLED POLYESTER. COLOR: GRAY.
- △ POST MATERIAL: PHOSPHOR BRONZE.
- △ POST FINISH: DIN 41612 CLASS 3 IN CONTACT AREA. TIN-LEAD PLATE ON POSTS.
- △ POST FINISH: DIN 41612 CLASS 2 IN CONTACT AREA. TIN-LEAD PLATE ON POSTS.
- △ ACTION PIN POSTS REQUIRE 2.36 [0.093] MINIMUM THICK PC BOARD. RECOMMENDED PC BOARD HOLES ARE 1.151 [0.0453] DIA PLATED THROUGH WITH 0.02-0.08 [0.001-.003] COPPER AND 0.008 [0.0003] MINIMUM TIN-LEAD PLATING. FINISHED HOLE AFTER PLATING, 0.94-1.09 [0.037-.043] DIA.
- △ [PART NUMBER, DATE CODE] MARKED THIS APPROXIMATE AREA.
- △ MARKING ON THIS SIDE.

NOTES	POSITIONS LOADED	C	B	A	NO. OF LOADED POSITION	ASSY PART NUMBER
OBSOLETE						

DO NOT SCALE PRINT. UNLESS SPECIFIED DIMENSIONS IN mm [INCHES] TOLERANCES - ON : 1 PLC DEC ± - ANGLES ± -		DR L. BRINER 3/18/91		PART NO	
CHK D.C. RUBENDALL 3/26/91		APPD D.C. RUBENDALL 3/26/91		AMP Incorporated Harrisburg, PA 17105-3608	
APPD D.C. RUBENDALL 3/26/91		APPD K.R. PARMER 3/26/91			
MATERIAL HOUSING: △ POST: △		PRODUCT SPEC -		NAME PIN ASSEMBLY, EUROCARD, TYPE "R"	
FINISH POST: △ △		APPLICATION SPEC -		SIZE D	CAGE CODE 00779
WEIGHT -		DRAWING NO 650923		SHEET 1 OF 1	

单击下面可查看定价，库存，交付和生命周期等信息

[>>TE Connectivity\(泰科\)](#)