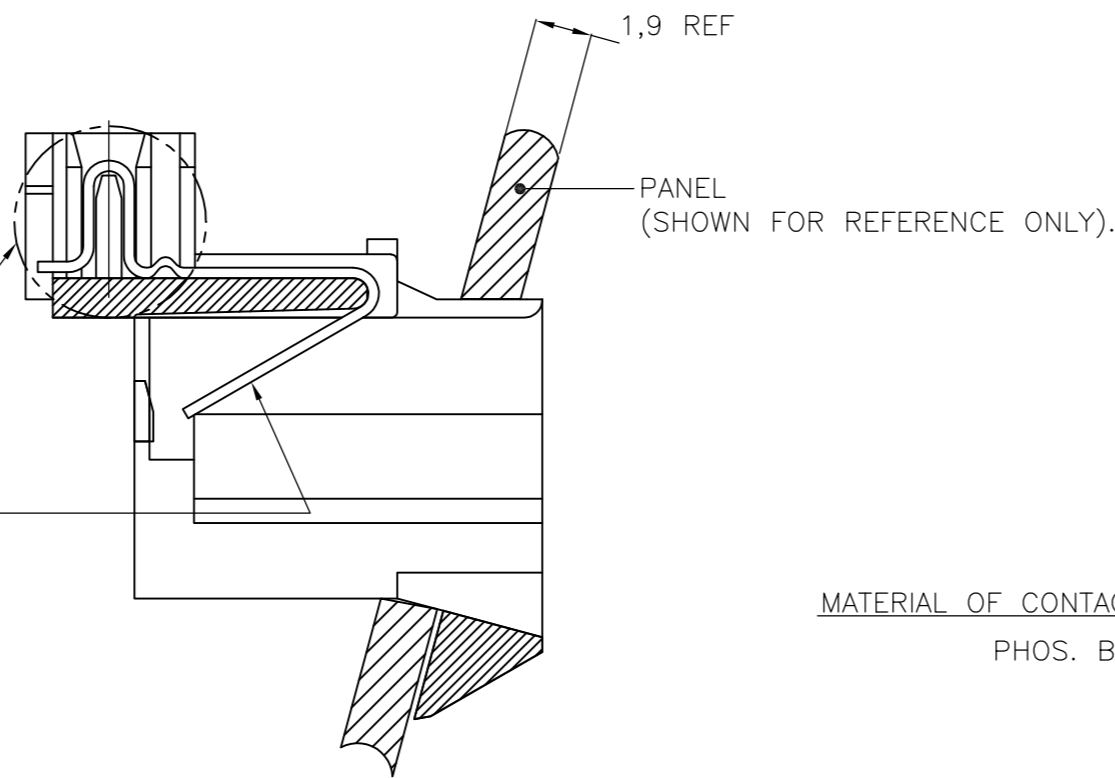
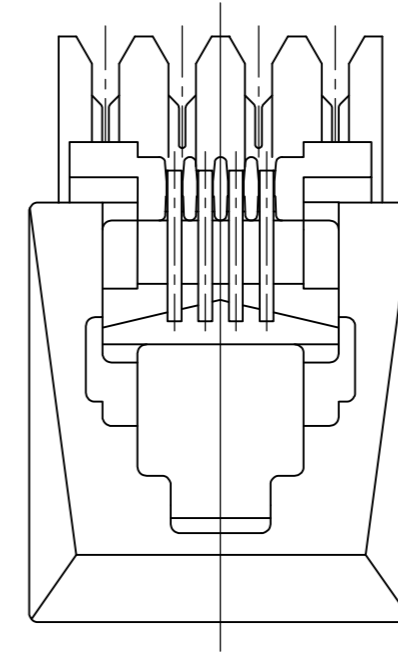
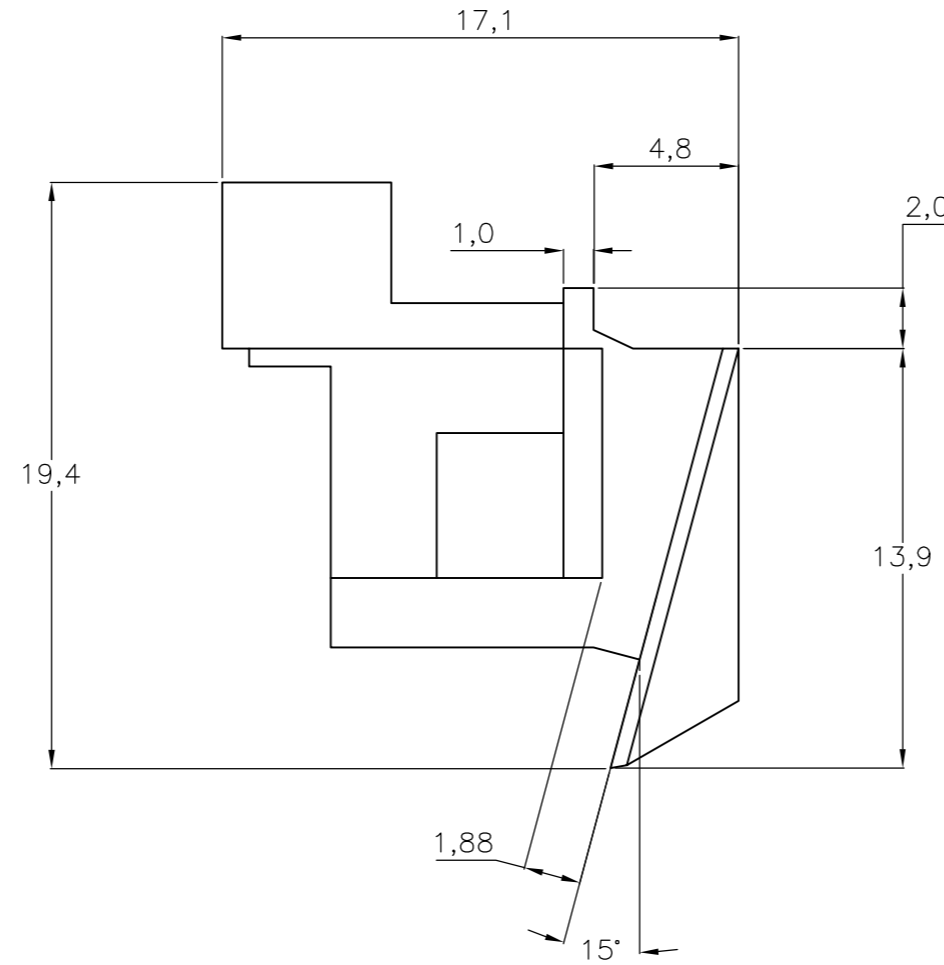
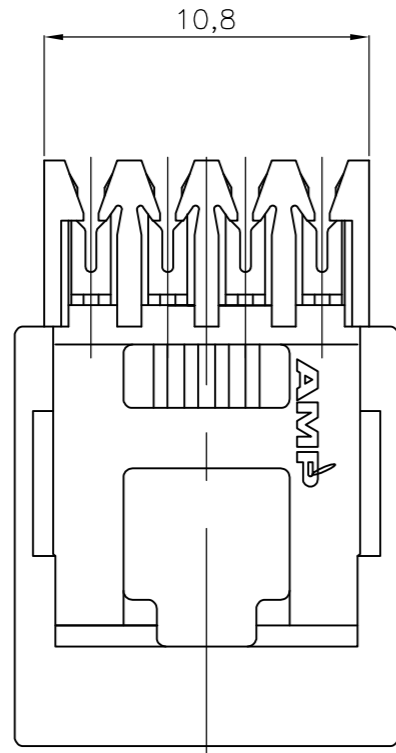
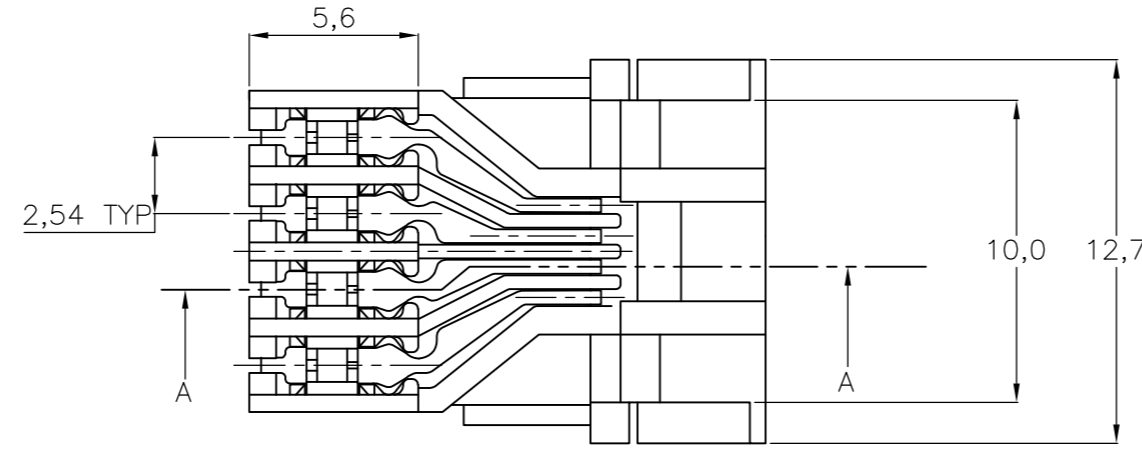


THIS DRAWING IS UNPUBLISHED. RELEASED FOR PUBLICATION
 © COPYRIGHT BY TYCO ELECTRONICS CORPORATION. ALL INTERNATIONAL RIGHTS RESERVED.

LOC	DIST	REVISIONS					
		P	LTR	DESCRIPTION	DATE	DWN	APVD
H	-		U	EH-0176-98	10-02-98	EVE	-
			V	ECR-06-013127	31-05-06	MO	-
			V1	ECR-08-012368	08-07-08	AEG	WRV

NOTES:

- FOR APPLICATION INFORMATION SEE TE SPECIFICATION 114-19005.
- FOR PERFORMANCE REQUIREMENTS SEE TE SPECIFICATION 108-19039.



CONTACT PLATING IN THIS AREA :
1.25µm MIN. TIN.

CONTACT AREA GOLD PLATING THICKNESS :
SEE TABLE.

UNDERPLATING ON ENTIRE CONTACT :
1.25µm MIN. NICKEL.

MATERIAL OF CONTACTS :
PHOS. BRONZE.

OBSOLETE	600 PCS. ON 60 cm DIA. REEL		ABS COLOR-BLACK, METALLIC FILTER	2-166925-5 166925-5
OBSOLETE	3000 PCS IN A BOX		ABS COLOR-GREY (RAL 9002)	2-166925-3 166925-3
OBSOLETE	600 PCS. ON 60 cm DIA. REEL	1.2 µm	ABS COLOR-GREY (RAL 9002)	166925-3
OBSOLETE	3000 PCS IN A BOX		NYLON, 13%G.F. COLOR-BLACK	166925-1
	PACKAGING	GOLD PLATING IN CONTACT AREA	HOUSING MATERIAL	ORDER NUMBER

THIS DRAWING IS A CONTROLLED DOCUMENT.

DIMENSIONS: mm	TOLERANCES UNLESS OTHERWISE SPECIFIED:	DWN D.KESSLER	05NOV92	Tyco Electronics Corporation 's-Hertogenbosch, Nederland
	0 PLC ± -	CHK C.STERKEN	-	
	1 PLC ± -	APVD -	-	
	2 PLC ± -	PRODUCT SPEC -	-	
	3 PLC ± -	APPLICATION SPEC -	-	NAME MODULAR JACK, 4 POS./4 CONT FLANGED, WITH INSULATION DISPLACEMENT CONTACTS
	4 PLC ± -			SIZE A2
	ANGLES ± -			CAGE CODE 00779
	FINISH SEE NOTES			DRAWING NO C=166925
MATERIAL SEE NOTES		WEIGHT -		RESTRICTED TO -
				SCALE NTS
				SHEET 1 of 1
				REV V1

CUSTOMER DRAWING

单击下面可查看定价，库存，交付和生命周期等信息

[>>TE Connectivity\(泰科\)](#)