

4

3

2

1

THIS DRAWING IS UNPUBLISHED.

RELEASED FOR PUBLICATION

20

© COPYRIGHT 20

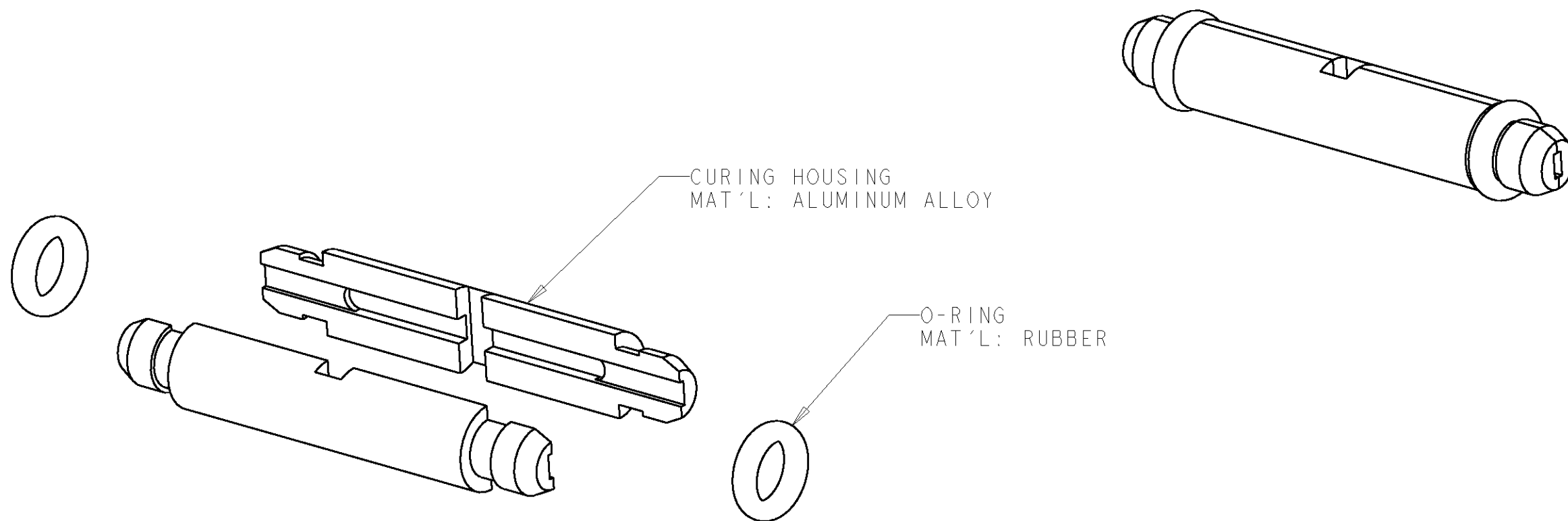
BY TYCO ELECTRONICS CORPORATION. ALL RIGHTS RESERVED.

LOC
CE

DIST
16

REVISIONS

P	LTR	DESCRIPTION	DATE	DWN	APVD
	I	PPR 04-122	24NOV03	KG	DW
	A	RELEASE PER 0A00-0193-05	17MAY05	KG	DW



1754122-1

PART NUMBER

THIS DRAWING IS A CONTROLLED DOCUMENT FOR TYCO ELECTRONICS CORPORATION. IT IS SUBJECT TO CHANGE AND THE CONTROLLING ENGINEERING ORGANIZATION SHOULD BE CONTACTED FOR THE LATEST REVISION.

DIMENSIONS: mm		TOLERANCES UNLESS OTHERWISE SPECIFIED:	
		0 PLC	±-
		1 PLC	±-
		2 PLC	±-
		3 PLC	±-
		4 PLC	±-
MATERIAL AS LISTED		FINISH	-
		HARD ANODIZE	

DWN	K. GLATFELTER	14NOV2003
CHR	D. WERTMAN	21NOV2003
APVD	D. WERTMAN	24NOV2003
PRODUCT SPEC	-	
APPLICATION SPEC	-	
WEIGHT	-	
CUSTOMER DRAWING		

tyco Electronics		Tyco Electronics Harrisburg, PA 17105-3608	
NAME CURING FIXTURE, BUFFERED FIBER LEAD, EB			
SIZE	CAGE CODE	DRAWING NO	RESTRICTED TO
A3	00779	1754122	-
SCALE 2:1		SHEET 1	OF 1
		REV	A

单击下面可查看定价，库存，交付和生命周期等信息

[>>TE Connectivity\(泰科\)](#)