

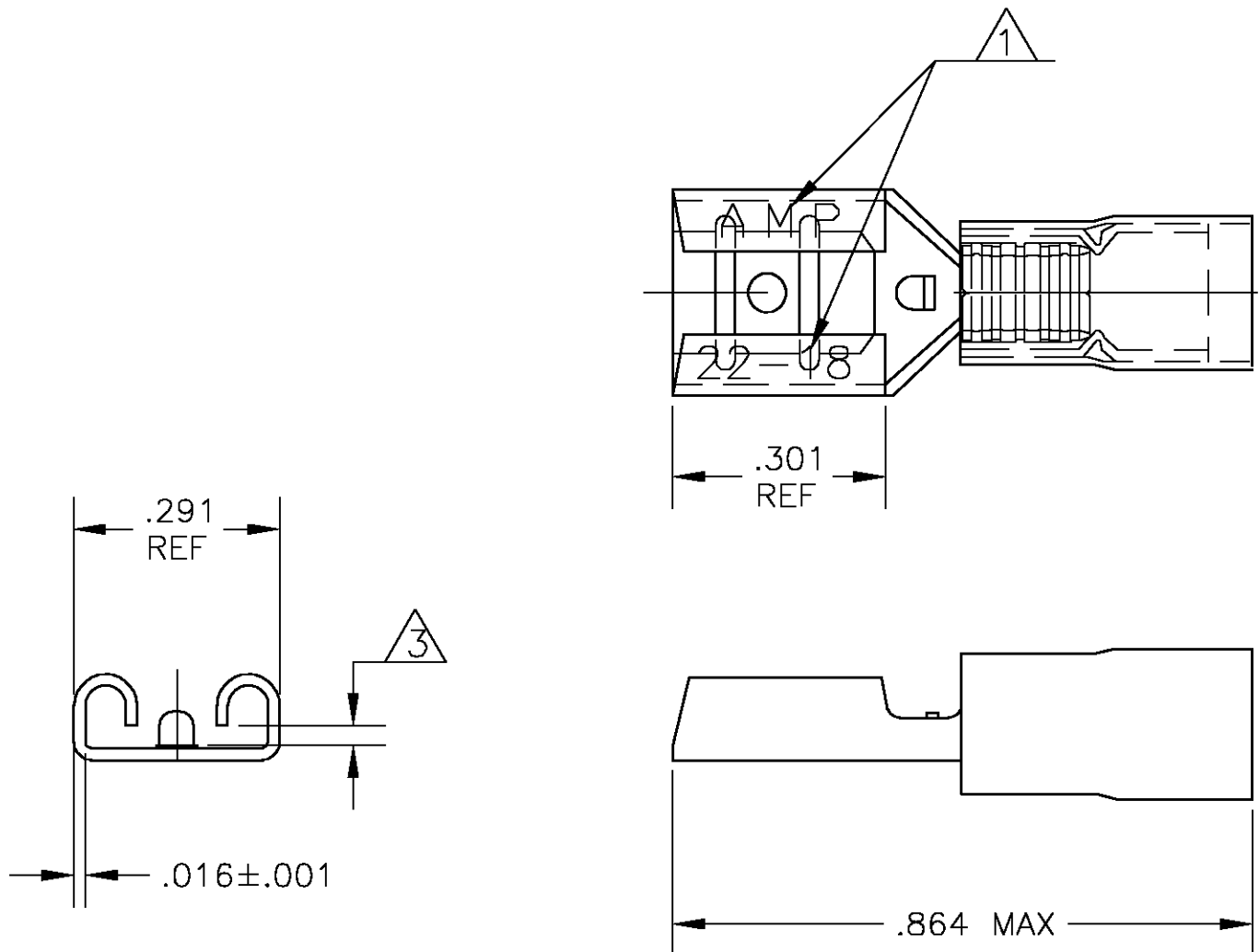


THIS DRAWING IS UNPUBLISHED. RELEASED FOR PUBLICATION  
 © COPYRIGHT BY TYCO ELECTRONICS CORPORATION. ALL RIGHTS RESERVED.

LOC	DIST	REVISIONS					
		P	LTR	DESCRIPTION	DATE	DWN	APVD
G	14		E1	CORRECTED ARROWHEADS	09JUN03	JR	TM

<b>AMP WIRE RANGE</b>	 FILE E66717	 LR7189 Certified
22-18 AWG STRANDED	22-18 AWG STRANDED	22-18 AWG STRANDED

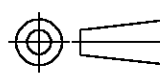



- ① MARKED AMP 22-18
- ② DESIGNED FOR WIRE INSULATION DIA OF .090-.125.
- ③ MATES WITH .250±.003 BY .032±.001 THK TAB.
- ④ BODY: BRASS, TIN PLATED SLEEVE: VINYL, RED
- ⑤ RATED FOR 10 MAX AMPERE

100	LOOSE PIECE	8-696301-1
4000	ON TAPE	696301-2
1000	LOOSE PIECE	696301-1
QTY	PACKAGE TYPE	PART NO.

TYCO ELECTRONICS CUSTOMER SERVICE SYSTEM	
FOR ADDITIONAL PRODUCT INFORMATION OR COPIES OF DRAWING AND TECHNICAL DOCUMENTS	PRODUCT INFORMATION CENTER 1-800-522-6752
FOR APPLICATION TOOLING INFORMATION	TOOLING ASSISTANCE CENTER 1-800-722-1111
FOR ORDER ENTRY	1-800-526-5142

MAX RECOMMENDED OPERATING TEMPERATURE: 75°C [167°F]
VOLTAGE RATING: 300V MAX
CIRCULAR MIL AREA: 509-1,900 STRANDED

THIS DRAWING IS A CONTROLLED DOCUMENT.	
DIMENSIONS: INCHES	TOLERANCES UNLESS OTHERWISE SPECIFIED:
	0 PLC ± - 1 PLC ± - 2 PLC ± - 3 PLC ± .008 4 PLC ANGLES ± -
MATERIAL	FINISH
- ④	- ④

DWN JR RUTH 15MAR01		Tyco Electronics Corporation Harrisburg, PA. 17057		
CHK MS FEHER 15MAR01		NAME		
APVD T MICHELUTTI 15MAR01		RECEPTACLE, 250 SERIES, FASTON, BUDGET, PRE-INSULATED, WIRE:22-18 AWG		
PRODUCT SPEC		-		
APPLICATION SPEC	SIZE	CAGE CODE	DRAWING NO	RESTRICTED TO
WEIGHT -	A3	00779	C-696301	-
CUSTOMER DRAWING		SCALE 4:1	SHEET 1 OF 1	REV E1

单击下面可查看定价，库存，交付和生命周期等信息

[>>TE Connectivity\(泰科\)](#)