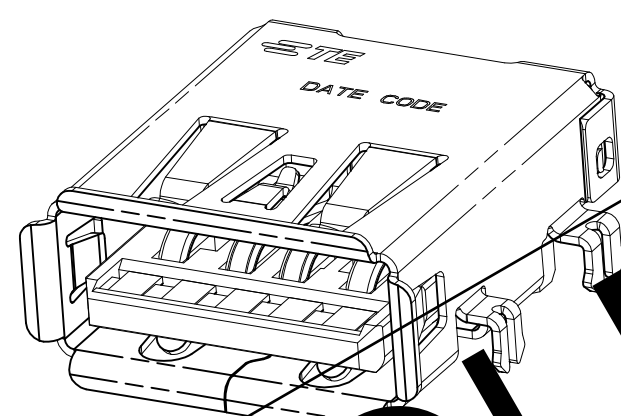
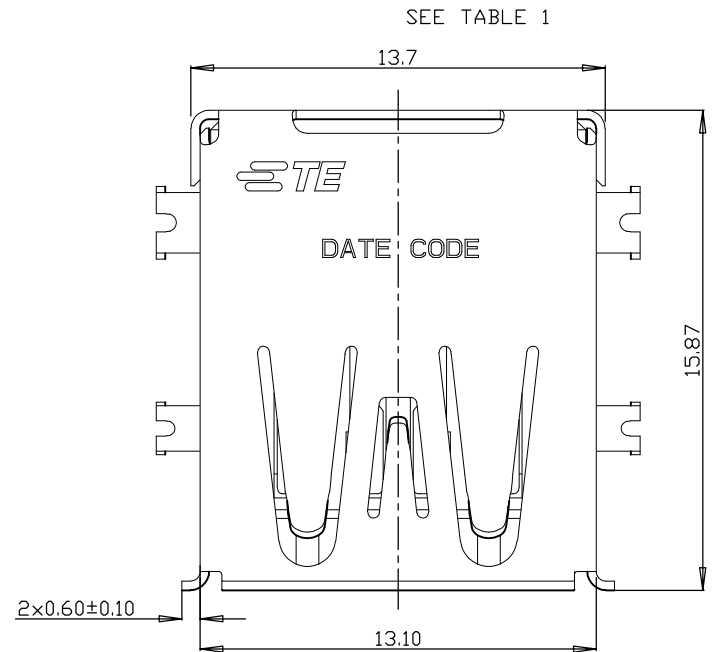


THIS DRAWING IS UNPUBLISHED.		RELEASED FOR PUBLICATION							
© COPYRIGHT - By -		ALL RIGHTS RESERVED.							
PIN ASSIGNMENT	1	2	3	4	5	6	7	8	9
SIGNAL NAME	VBUS	D-	D+	GND	STDA_SSRX-	STDA_SSRX+	GND_DRAIN	STDA_SSTX-	STDA_SSTX+
REMARK	USB 2.0 CONTACT PIN				USB 3.0 CONTACT PIN				

LOC	DIST	REVISIONS			
P	LTR	DESCRIPTION	DATE	DWN	APVD
ES	00	A	INITIAL RELEASE	25SEP2012	F.L S.Y
		A3	RELEASED PER ECR-13-009213	05JUNE2013	F.L S.Y
		A4	OBSOLETE PER ECR-18-017259	06NOV2018	T.Z S.L
		-	-	-	-



NOTE:

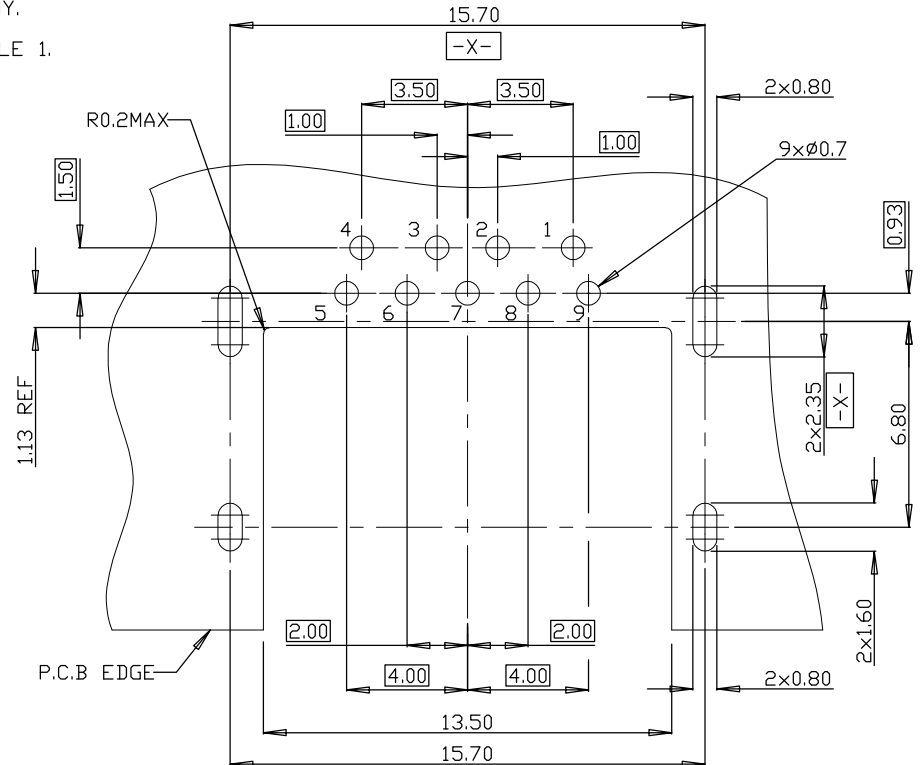
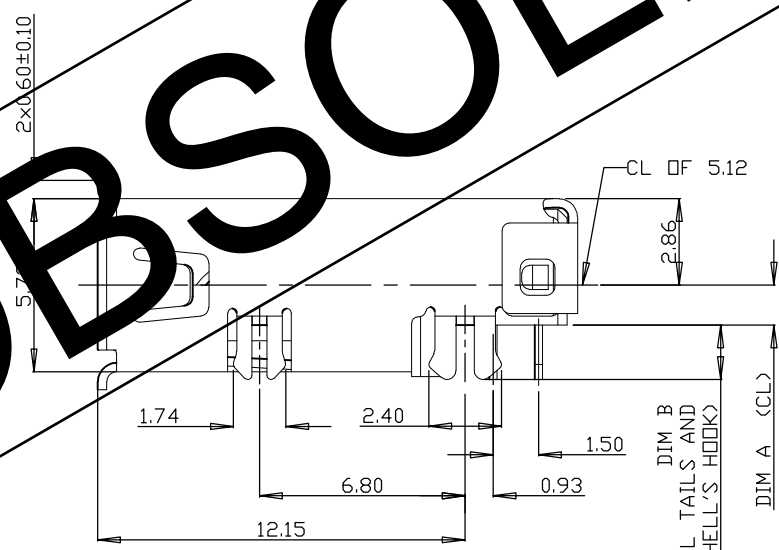
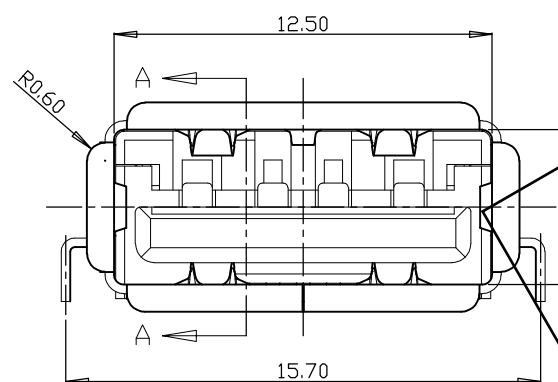
1 MATERIAL:  
HOUSING: THERMOPLASTIC, BLACK;  
LOW HALOGEN SPECIFICATION: CHLORINE 900 PPM MAX.  
BROMINE 900 PPM MAX. CHLORINE AND BROMINE 1500 PPM MAX.  
CONTACT: COPPER ALLOY;  
SHELL: STEEL

2 FINISH:  
CONTACT:  
GOLD PLATING ON CONTACT AREA, SEE TABLE,  
54um MIN. MATTE TIN PLATING ON SOLDER TAIL AREA,  
7um NICKEL UNDER PLATING.  
SHELL: SEE TABLE

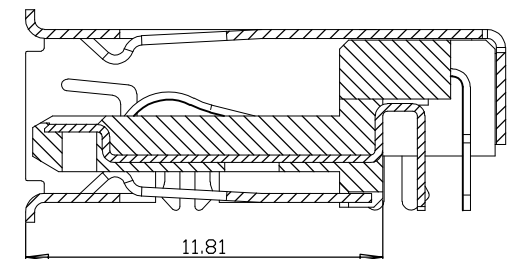
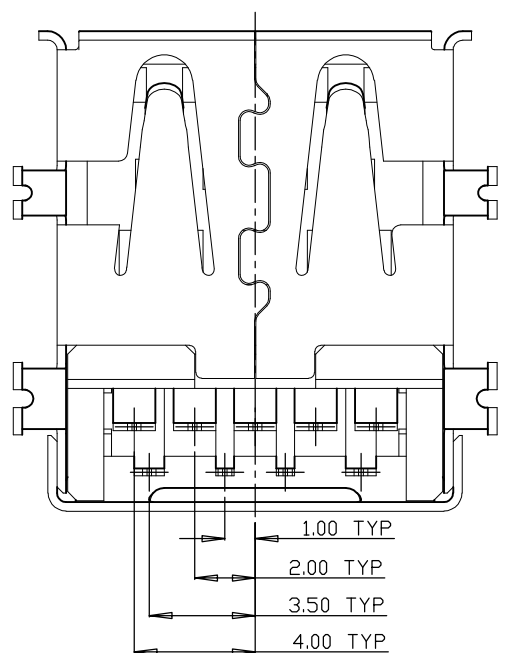
3 MATERIAL:  
HOUSING: THERMOPLASTIC, BLUE (PANTONE 300C).  
LOW HALOGEN SPECIFICATION: CHLORINE 900 PPM MAX.  
BROMINE 900 PPM MAX. CHLORINE AND BROMINE 1500 PPM MAX.  
CONTACT: COPPER ALLOY.  
SHELL: STEEL

4 PIN ASSIGNMENT: SEE TABLE 1.

**OBSOLETE**



RECOMMENDED PCB LAYOUT, CONNECTOR MOUNTING SIDE VIEW  
(THICKNESS=1.25 mm, TOLERANCE= ±0.03 mm)



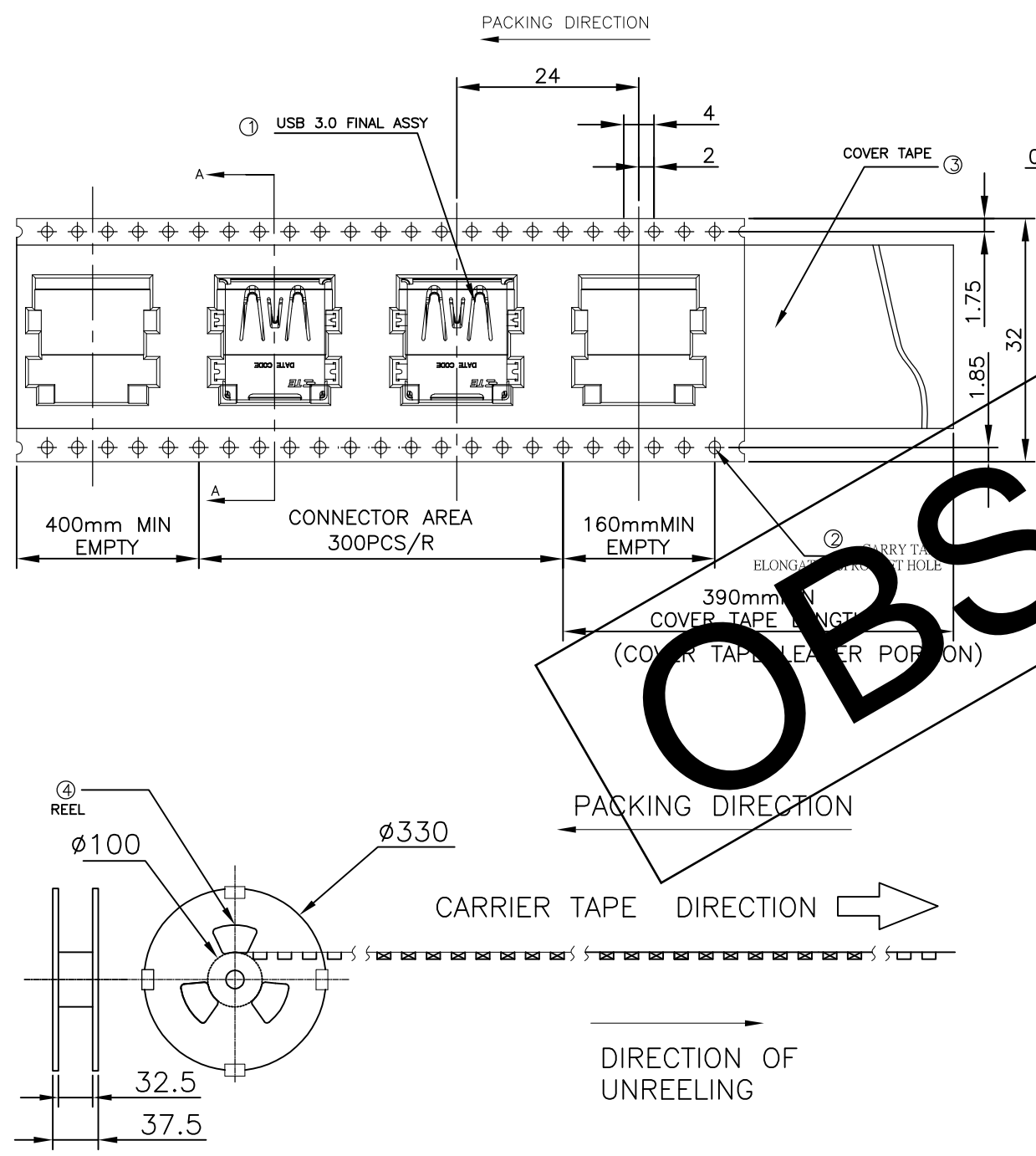
SECTION A-A

NICKEL + MATTEE TIN	0.13um MIN.	1.50	0.14	⚠	1932847-3
NICKEL + MATTEE TIN	0.76um MIN.	1.80	1.32	⚠	1932847-2
NICKEL + MATTEE TIN	0.76um MIN.	1.80	1.32	⚠	1932847-1
SHELL PLATING	CONTACT GOLD PLATING	DIM B	DIM A	MATERIAL	P/N

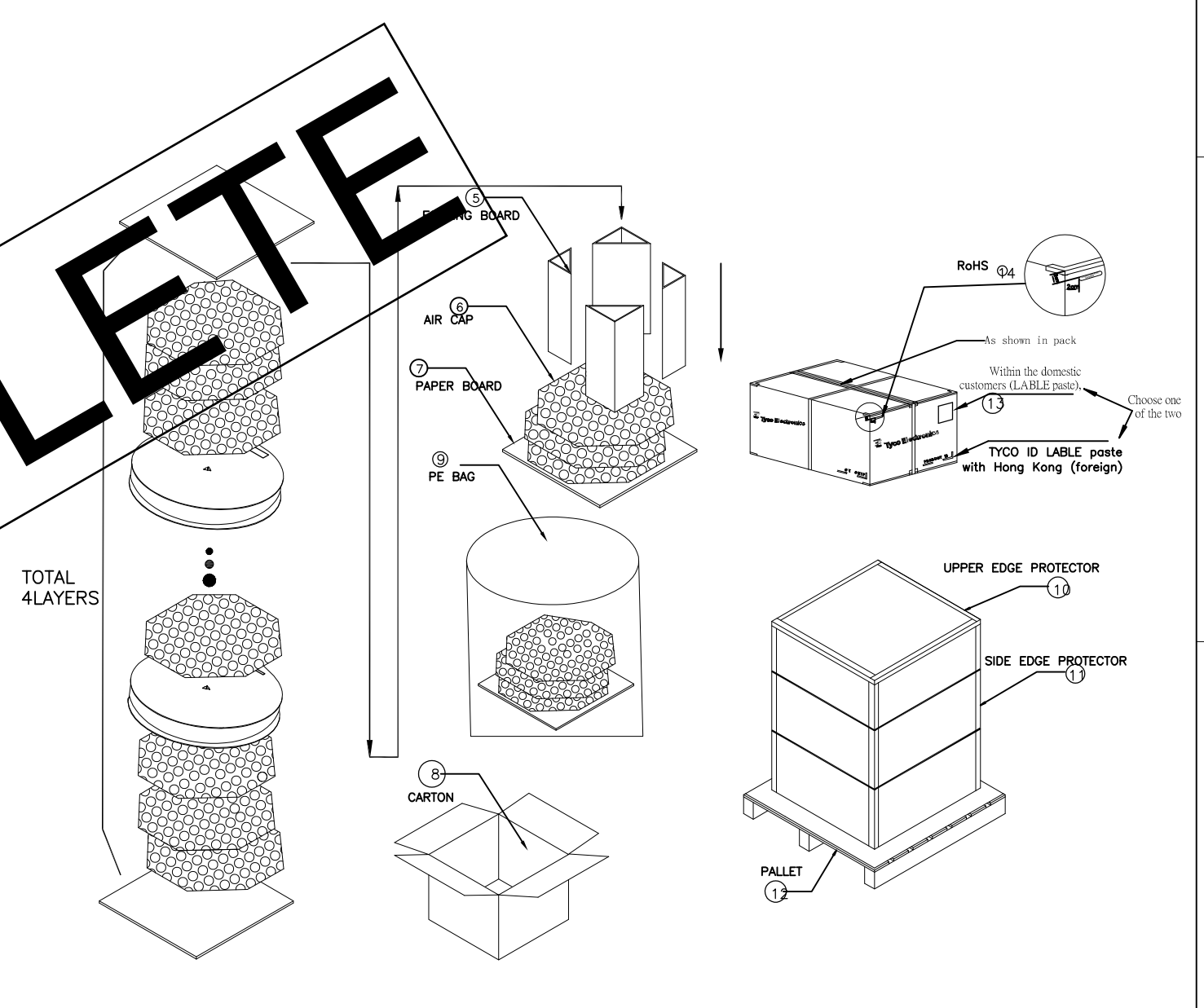
THIS DRAWING IS A CONTROLLED DOCUMENT.		DWN	FRANCIS LEE	25SEP2012	 TE Connectivity	USB 3.0 TYPE A RECEPTACLE REVERSE OFFSET TYPE		
DIMENSIONS: mm		CHK	MARTIN LI	25SEP2012		NAME		
TOLERANCES UNLESS OTHERWISE SPECIFIED:		APVD	STEVEN YAO	25SEP2012		PRODUCT SPEC		
MATERIAL		APPLICATION SPEC				RESTRICTED TO		
FINISH		WEIGHT		SIZE		CAGE CODE	DRAWING NO	
-		-		A3		00779	C=1932847	
CUSTOMER DRAWING				SCALE	4:1	SHEET	1 OF 2	
				REV	A4			

THIS DRAWING IS UNPUBLISHED. RELEASED FOR PUBLICATION  
 © COPYRIGHT - By - ALL RIGHTS RESERVED.

LOC	DIST	REVISIONS					
ES	00	P	LTR	DESCRIPTION	DATE	DWN	APVD
		-		SEE SHEET 1	-	-	-



OBSOLETE



TAPE REEL PACKAGE FOR 1932847-1,-2,-3

THIS DRAWING IS A CONTROLLED DOCUMENT.		DWN	FRANCIS LEE	13MAY2011	TE Connectivity					
DIMENSIONS: mm		CHK	MARTIN LI	13MAY2011				USB 3.0 TYPE A RECEPTACLE REVERSE OFFSET TYPE PACKING DRAWING		
TOLERANCES UNLESS OTHERWISE SPECIFIED:		APVD	STEVEN YAO	13MAY2011						
0 PLC ± 0.35 1 PLC ± 0.35 2 PLC ± 0.35 3 PLC ± 0.35 4 PLC ± 0.1 ANGLES ± - MATERIAL - FINISH -		PRODUCT SPEC	-	WEIGHT				-	A3 00779 C-1932847	
MATERIAL		APPLICATION SPEC	-	CUSTOMER DRAWING	SCALE	4:1	SHEET	2 OF 2	REV	A4

单击下面可查看定价，库存，交付和生命周期等信息

[>>TE Connectivity\(泰科\)](#)