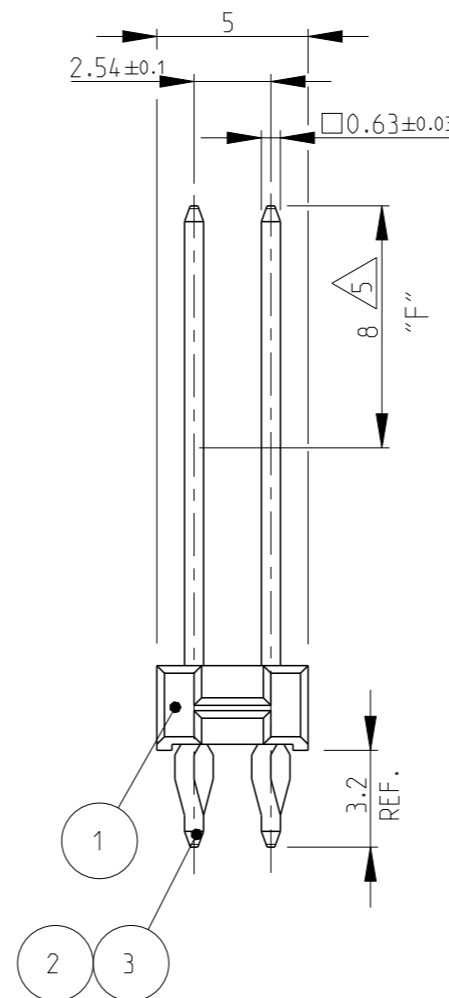
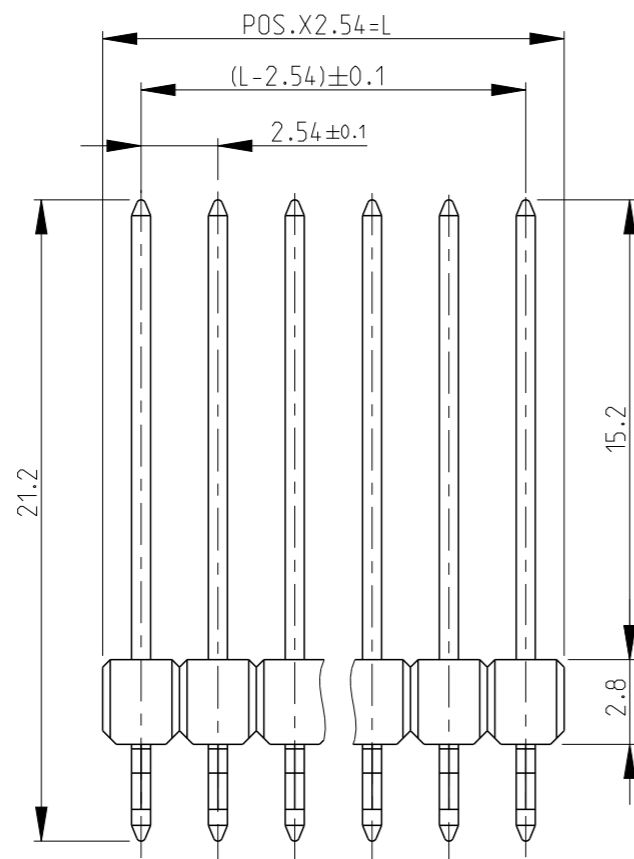


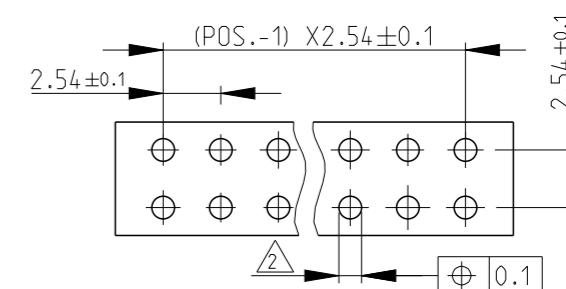
REVISIONS

P	LTR	DESCRIPTION	DATE	DWN	APVD
	C	PLATING CHANGE TO PdNi + Au flash for 6 - -8	10JUN2014	PS	JK

POS. PER ROW	L	PART NO
2	5.08	
3	7.62	
4	10.16	
5	12.70	
6	15.24	
7	17.78	
8	20.32	969982-8
8	20.32	6-969982-8
9	22.86	
10	25.40	
11	27.94	
12	30.48	
13	33.02	
14	35.56	
15	38.10	
16	40.64	
17	43.18	
18	45.72	
19	48.26	
20	50.80	
21	53.34	
22	55.88	
23	58.42	
24	60.96	
25	63.50	
26	66.04	
27	68.58	
28	71.12	
29	73.66	
30	76.20	
31	78.74	
32	81.28	
33	83.82	
34	86.36	
35	88.90	
36	91.44	
37	93.98	
38	96.52	
39	99.06	
40	101.60	
41	104.14	
42	106.68	
43	109.22	
44	111.76	
45	114.30	
46	116.84	
47	119.38	
48	121.92	
49	124.46	
50	127.00	



RECOMENDED PCB-LAYOUR FOR ACTION PIN ZONE



NOTES:

- 1 PRE TIN-PLATED
- 2 DRILLED HOLE. 1.0±0.025mm
Cu THICKNESS. 25-50 µm
Sn THICKNESS min.4 µm
FINISHED HOLE :0.9±0.07mm
- 3 STAMPING EDGES BLANK
- 4 PACKED IN FOLDING BOX
- 5 AREA "F" : MIN. 0.7 µm PdNi + 0.1µm GOLD FLASH
OVER NICKEL UNDERPLATE
ACTION PIN ZONE: TIN PLATING OVER NICKEL

16	-	ACTION PIN	CuSn	5	3
-	16	ACTION PIN	CuSn	1	2
8/50	8/50	PIN HOUSING	PBT-GF	GREEN	1
6-969982-8	0-969982-8	DESCRIPTION	MATERIAL	SURFACE	ITEM
				COLOR	

THIS DRAWING IS A CONTROLLED DOCUMENT.		DWN K.VURAL 15JAN2009	TE Connectivity		
DIMENSIONS: mm		CHK K.MUNZ 15JAN2009			
TOLERANCES UNLESS OTHERWISE SPECIFIED: n. ISO 8015, n. ISO 2768 -mH -E, n. DIN 16901 -140		APVD T.KLENNER 16JAN2009	NAME AMPMODU II ACTION PIN HEADER, DUAL ROW		
		PRODUCT SPEC	RESTRICTED TO		
MATERIAL SEE TABLE		APPLICATION SPEC	SIZE A3	CAGE CODE 00779	DRAWING NO C=969982
FINISH SEE TABLE		WEIGHT -	SCALE 4:1	SHEET 1 OF 1	REV C
CUSTOMER DRAWING					

单击下面可查看定价，库存，交付和生命周期等信息

[>>TE Connectivity\(泰科\)](#)