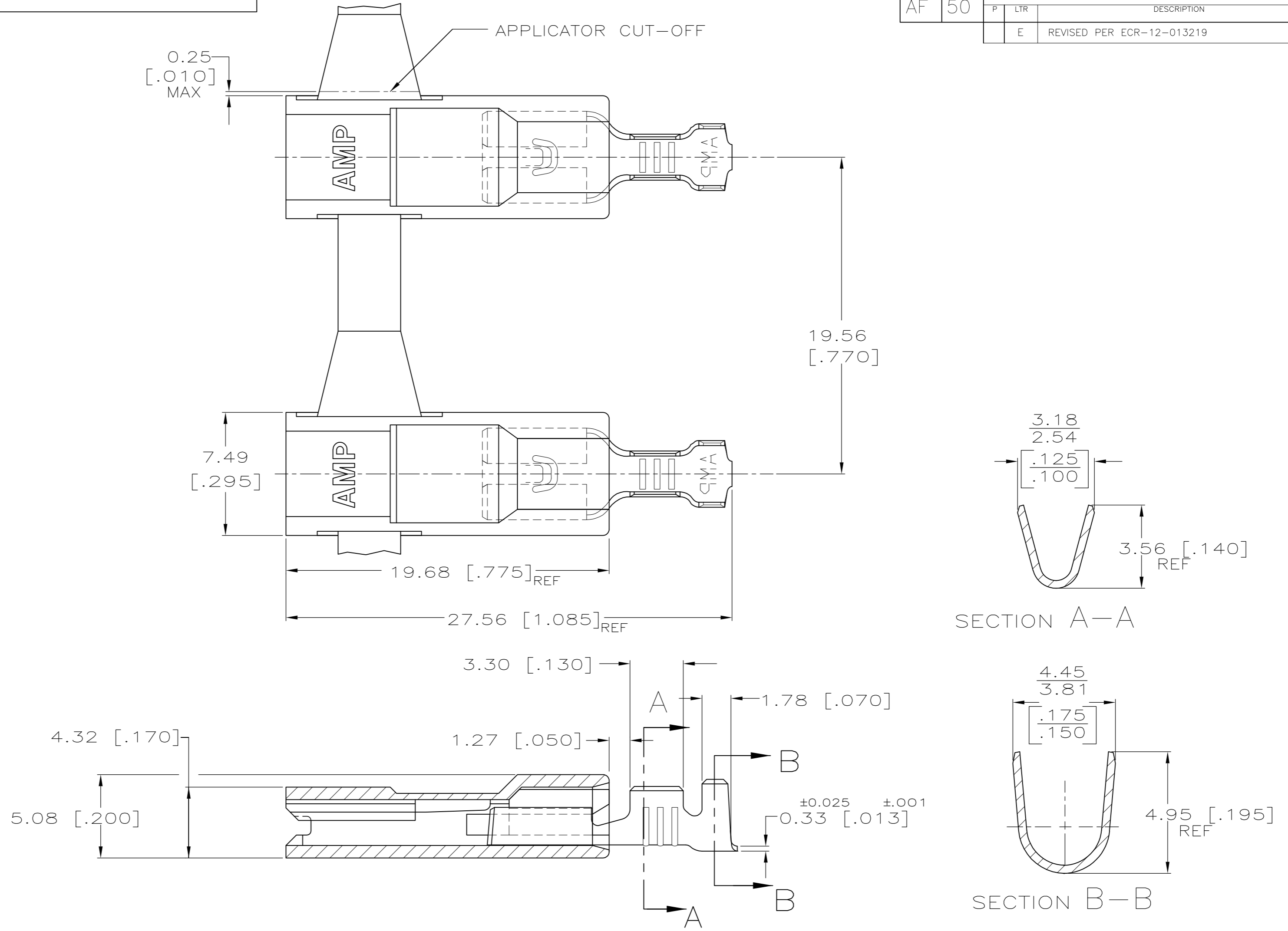


THIS DRAWING IS UNPUBLISHED. RELEASED FOR PUBLICATION
 © COPYRIGHT - By - ALL RIGHTS RESERVED.

LOC		DIST		REVISIONS			
P	LTR	DESCRIPTION		DATE	DWN	APVD	
AF	50	E		REVISED PER ECR-12-013219	08JAN13	KH	KR



1 FASTON TERMINALS, BASE
 P/N 63653, ARE USED IN THIS PRODUCT.

2 TIN PLATE PER MIL-T-10727
 .002032 [.000080] MIN.

3 6/6 V0 NYLON

STANDARD	TIN 2	2.29-3.30 [.090-.130] DIA	[#20-#16] AWG	0.508 [.020]	521225-2
PACKAGING	FINISH	INSULATION RANGE	WIRE SIZE	MATING TAB THK ±0.025 [±.001]	521225-1
					PART NO

THIS DRAWING IS A CONTROLLED DOCUMENT.

DWN	JR RUTH	14SEP99
CHK	MS FEHER	14SEP99
APVD	J HUMMEL	14SEP99
PRODUCT SPEC		
APPLICATION SPEC		
114-2124		
WEIGHT		
CUSTOMER DRAWING		

TE Connectivity

ASSEMBLY, RECEPTACLE,
 ULTRA-POD, 4.8 [.187] SERIES

SIZE	CAGE CODE	DRAWING NO	RESTRICTED TO
A2	00779	C=521225	-
SCALE	SHEET	REV	
5:1	1 of 1	E	

单击下面可查看定价，库存，交付和生命周期等信息

[>>TE Connectivity\(泰科\)](#)