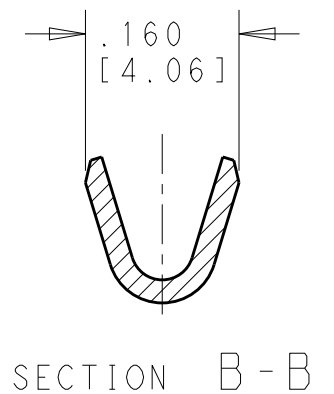
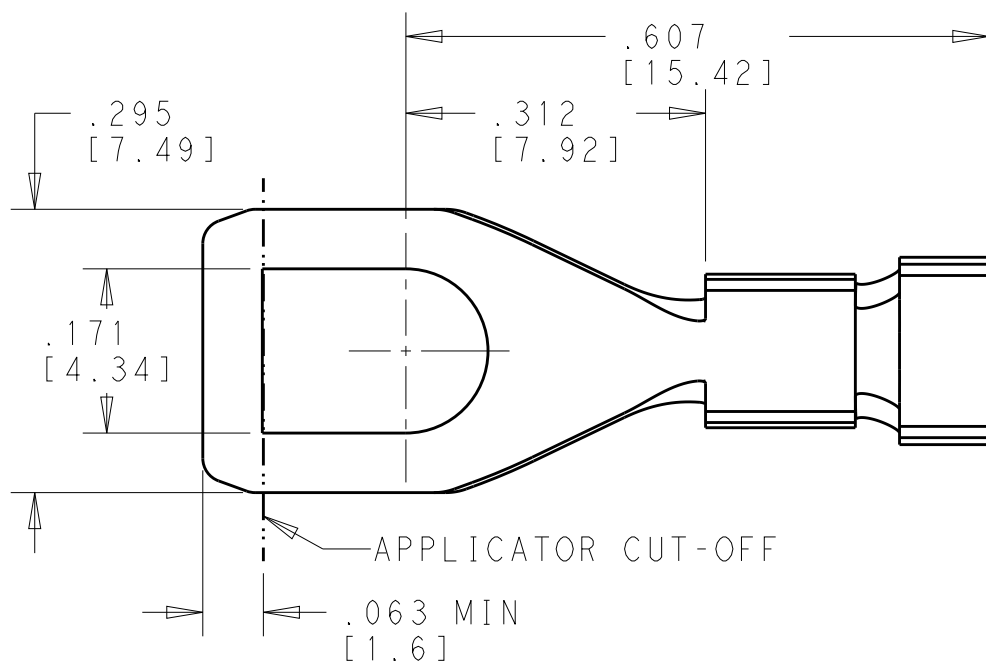
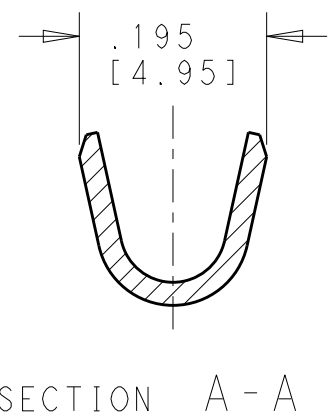
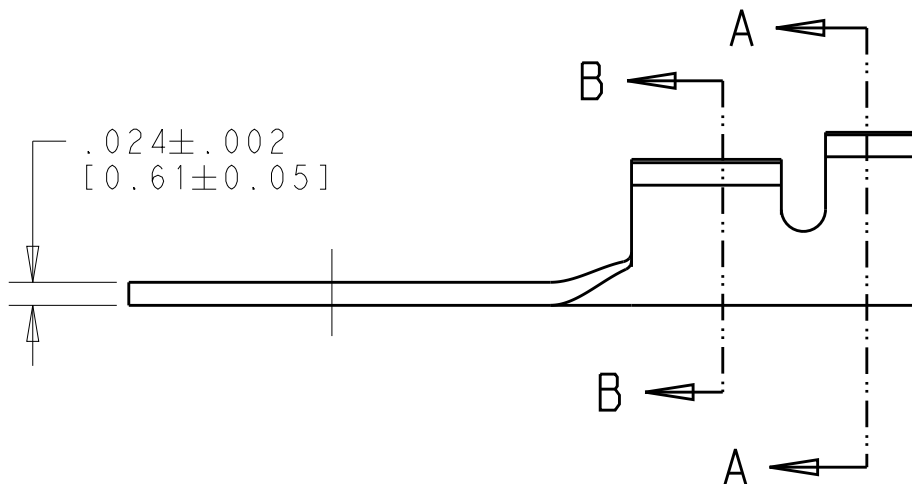


LOC	DIST	REVISIONS					
IR	-	P	LTR	DESCRIPTION	DATE	DWN	APVD
			C1	REDRAWN IN CAD	11MAY2011	PKS	RRP
			C2	REVISED PER ECR-20-012529	30SEPT2020	AA	LZ

WIRE RANGE	18-14 AWG
INSUL. RANGE	∅.098-∅.137



TIN PLATED	BRASS	140791-2
NONE	BRASS	140791-1
FINISH	MATERIAL	P/N

1973
 RELEASED FOR PUBLICATION
 ALL RIGHTS RESERVED.
 1973
 THIS DRAWING IS UNPUBLISHED.
 COPYRIGHT 2011

DIMENSIONS: INCHES	DWN SENTHIL	09MAY2011	MATERIAL	SEE TABLE	FINISH	SEE TABLE
	CHK M.GREENER	10MAY2011	TE Connectivity			
TOLERANCES UNLESS OTHERWISE SPECIFIED:	APVD RAJENDRA	12MAY2011				
0 PLC ±-	PRODUCT SPEC	-	NAME WIRE TERMINAL			
1 PLC ±-	APPLICATION SPEC	-				
2 PLC ±-	WEIGHT	-	SIZE	A4	CAGE CODE	00779
3 PLC ±.010			DRAWING NO	C=140791		RESTRICTED TO
4 PLC ±-						
ANGLES ±1°						
	CUSTOMER DRAWING		SCALE	5:1	SHEET	1 OF 1
						REV C2

单击下面可查看定价，库存，交付和生命周期等信息

[>>TE Connectivity\(泰科\)](#)