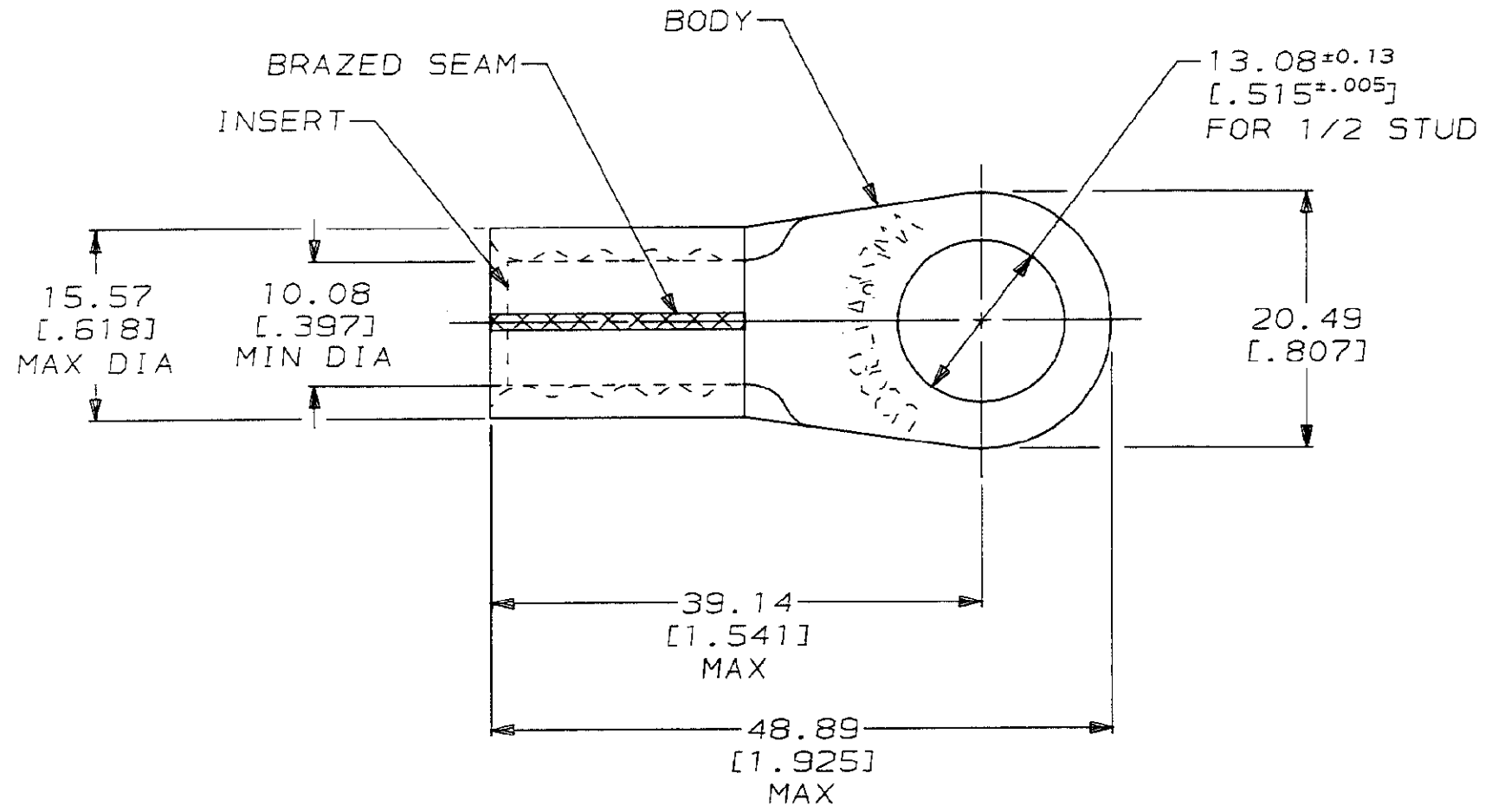


THIS DRAWING IS UNPUBLISHED. RELEASED FOR PUBLICATION
 © COPYRIGHT 19 BY AMP INCORPORATED. ALL INTERNATIONAL RIGHTS RESERVED.

LOC	DIST	P	F	ZONE	LTR	REVISIONS	DATE	APPD
G	86				E	REVISED & REDRAWN PER G-5752	8/29/91	OKS AJK



BODY: COPPER 1.83±0.10 [.072±.004] QQ-C-576 TIN PL 0.00254 [.000100] MIN THK PER MIL-T-10727	51986-3
INSERT: BRASS MIL-C-50 TIN PL 0.00762 [.000300] MIN EXT THK PER MIL-T-10727	

MATERIAL & FINISH		PART NO	
DO NOT SCALE PRINT. UNLESS SPECIFIED DIMENSIONS IN mm [INCHES] TOLERANCES ON: 2 PLC DEC ± 0.20 [.008] 3 PLC DEC ± - ANGLES ± -	DR 8/29/91 DK SCHRUM	AMP AMP Incorporated Harrisburg, PA 17105-3608	
MATERIAL SEE TABLE	CHK - RD HEIM		
FINISH SEE TABLE	APPD - AJ KAUFMAN	NAME TERMINAL, RING TONGUE, COPALUM - STRANDED/SOLID, WIRE SIZE: 50.0mm ² [1/0] AWG	
	APPD - AJ ADELMANN	SIZE B	CAGE CODE 00779
	PRODUCT SPEC -	DRAWING NO 51986-3	
	APPLICATION SPEC -	SCALE 2:1	SHEET 1 OF 1
	WEIGHT -		

METRIC

单击下面可查看定价，库存，交付和生命周期等信息

[>>TE Connectivity\(泰科\)](#)