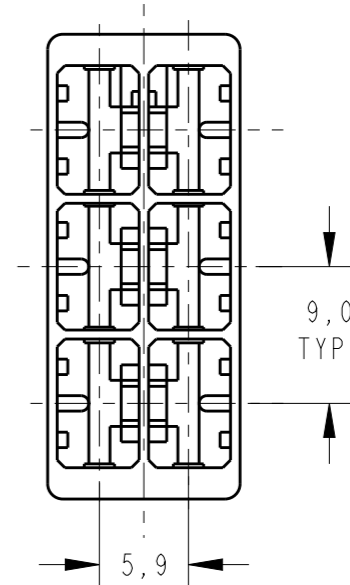
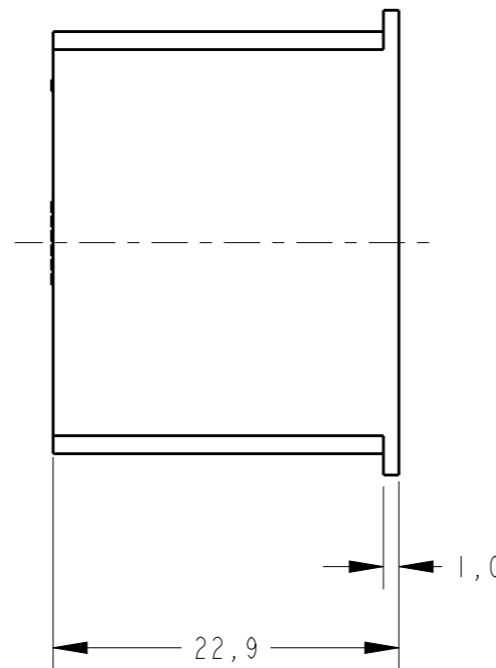
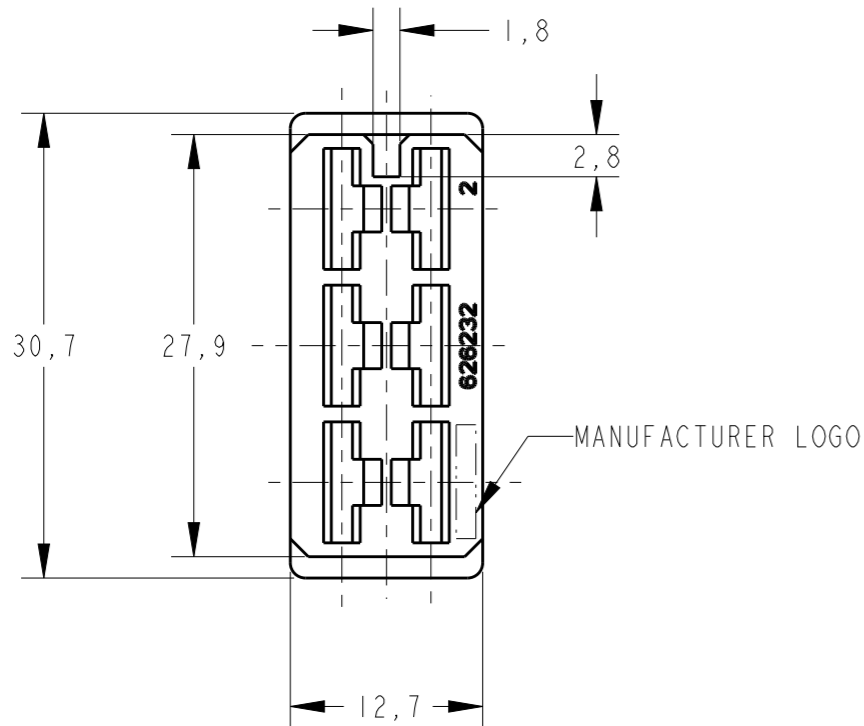


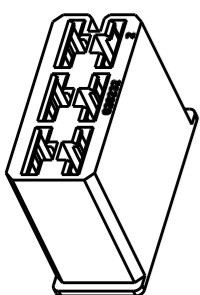
THIS DRAWING IS UNPUBLISHED. RELEASED FOR PUBLICATION 20
 © COPYRIGHT 20 BY - ALL RIGHTS RESERVED.

REVISIONS					
P	LTR	DESCRIPTION	DATE	DWN	APVD
	C3	REDRAWN AND REVISED BY ECO-16-006712	10MAY2016	HC	WLS



1-WALL THICKNESS 0,8.
 2-INTERCHANGEABLE WITH PN-140884.

OBSOLETE	DYED BLUE	PA 6.6	1-626232-6
OBSOLETE	DYED GRAY	PA 6.6	1-626232-5
OBSOLETE	DYED BLACK	PA 6.6	1-626232-4
OBSOLETE	DYED YELLOW	PA 6.6	1-626232-3
OBSOLETE	DYED RED	PA 6.6	1-626232-2
OBSOLETE	DYED GREEN	PA 6.6	1-626232-1
OBSOLETE	WHITE	PA 6.6	1-616232-0
OBSOLETE	BROWN	PA 6.6	626232-9
OBSOLETE	ORANGE	PA 6.6	626232-8
OBSOLETE	VIOLET	PA 6.6	626232-7
OBSOLETE	BLUE	PA 6.6	626232-6
OBSOLETE	GRAY	PA 6.6	626232-5
OBSOLETE	BLACK	PA 6.6	626232-4
OBSOLETE	YELLOW	PA 6.6	626232-3
OBSOLETE	RED	PA 6.6	626232-2
OBSOLETE	GREEN	PA 6.6	626232-1
	NATURAL	PA 6.6	626232-0
NOTE	FINISH	MATERIAL	PART NUMBER



THIS DRAWING IS A CONTROLLED DOCUMENT.		DWN 09MAY2016 H.C.CANTER	TE Connectivity	
		CHK 12MAY2016 W.L.STEFANI		
DIMENSIONS: mm 		TOLERANCES UNLESS OTHERWISE SPECIFIED: 0 PLC ±- 1 PLC ±0,3 2 PLC ±- 3 PLC ±- 4 PLC ±- ANGLES ±1°		NAME 6 CIRCUIT FASTIN-ON REC.HSG.250S
MATERIAL -		FINISH -		SIZE A3 CAGE CODE - DRAWING NO. C-626232 RESTRICTED TO -
		CUSTOMER DRAWING		SCALE 2:1 SHEET 1 OF 1 REV C3

单击下面可查看定价，库存，交付和生命周期等信息

[>>TE Connectivity\(泰科\)](#)