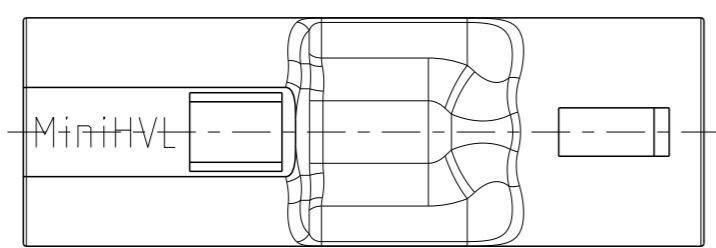
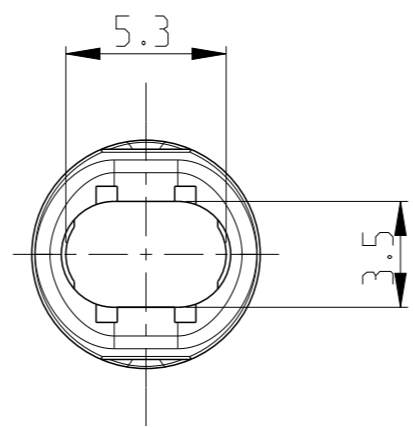
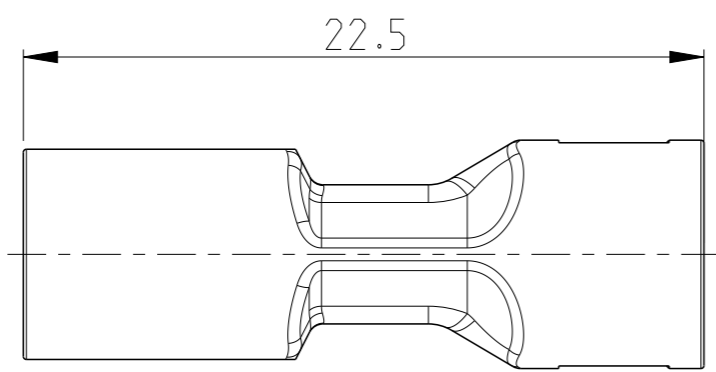
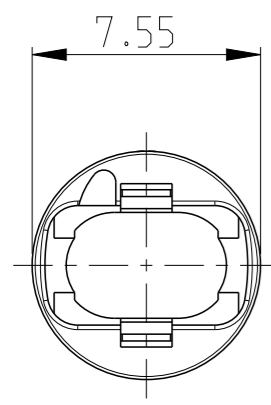
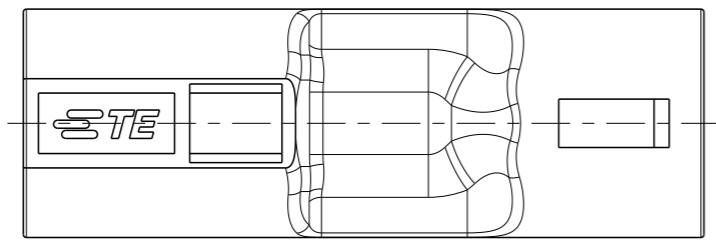


THIS DRAWING IS UNPUBLISHED. RELEASED FOR PUBLICATION 2005
 © COPYRIGHT 2005 Tyco Electronics AMP GmbH ALL RIGHTS RESERVED.

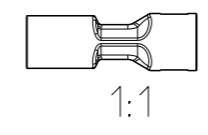
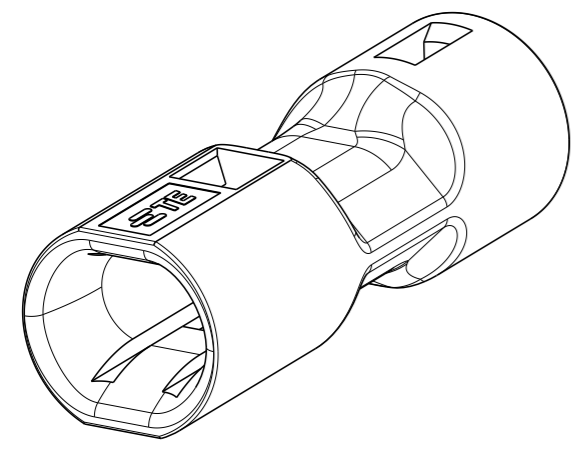
| LOC | DIST | REVISIONS | | | | | |
|-----|------|-----------|-----|---------------------------|-----------|-----|------|
| | | P | LTR | DESCRIPTION | DATE | DWN | APVD |
| A1 | - | | J1 | REVISED PER ECR-14-008397 | 10JUN2014 | RS | DD |
| | | | K | REVISED PER ECR-15-011040 | 04AUG2015 | RS | PO |
| | | | | | | | |



Remarks:

- Space inside designed for cable type H03VVH2-F 2x0,75mm² (Details see Application Spec.)
- Counterparts see drawings for PN 1740259, 1740261 and 1740262 and corresponding products of the MiniHVL family

△ Material is improved against UV influence



| | | |
|-------------|------|---------|
| 0-1740260-2 | K | BLACK |
| 0-1740260-1 | K | WHITE △ |
| PN | REV. | COLOR |

| | | | | | | | | |
|--|--|--------------|-----------|--|----------------------------|-------------------------------------|------------|---------------|
| THIS DRAWING IS A CONTROLLED DOCUMENT. | | DWN | 08FEB2005 | | STE TE Connectivity | | | |
| DIMENSIONS: mm | | CHK | 08FEB2005 | | | | | |
| | | APVD | 29SEP2006 | | | | | |
| TOLERANCES UNLESS OTHERWISE SPECIFIED: 0 PLC ±0.2 1 PLC ±0.2 2 PLC ±0.2 3 PLC ± 4 PLC ± ANGLES ±1° | | PRODUCT SPEC | 108-94018 | | | | | |
| MATERIAL TPE | | FINISH | - | | NAME | 7,5mm MiniHVL Connector System TUBE | | |
| | | APPLIC. SPEC | 114-18751 | | SIZE | CAGE CODE | DRAWING NO | RESTRICTED TO |
| | | WEIGHT | 0.5 g | | A3 | 00779 | ©=1740260 | - |
| Customer Drawing | | | | | SCALE | 4:1 | SHEET | 1 OF 1 |
| | | | | | | | REV | K |

单击下面可查看定价，库存，交付和生命周期等信息

[>>TE Connectivity\(泰科\)](#)