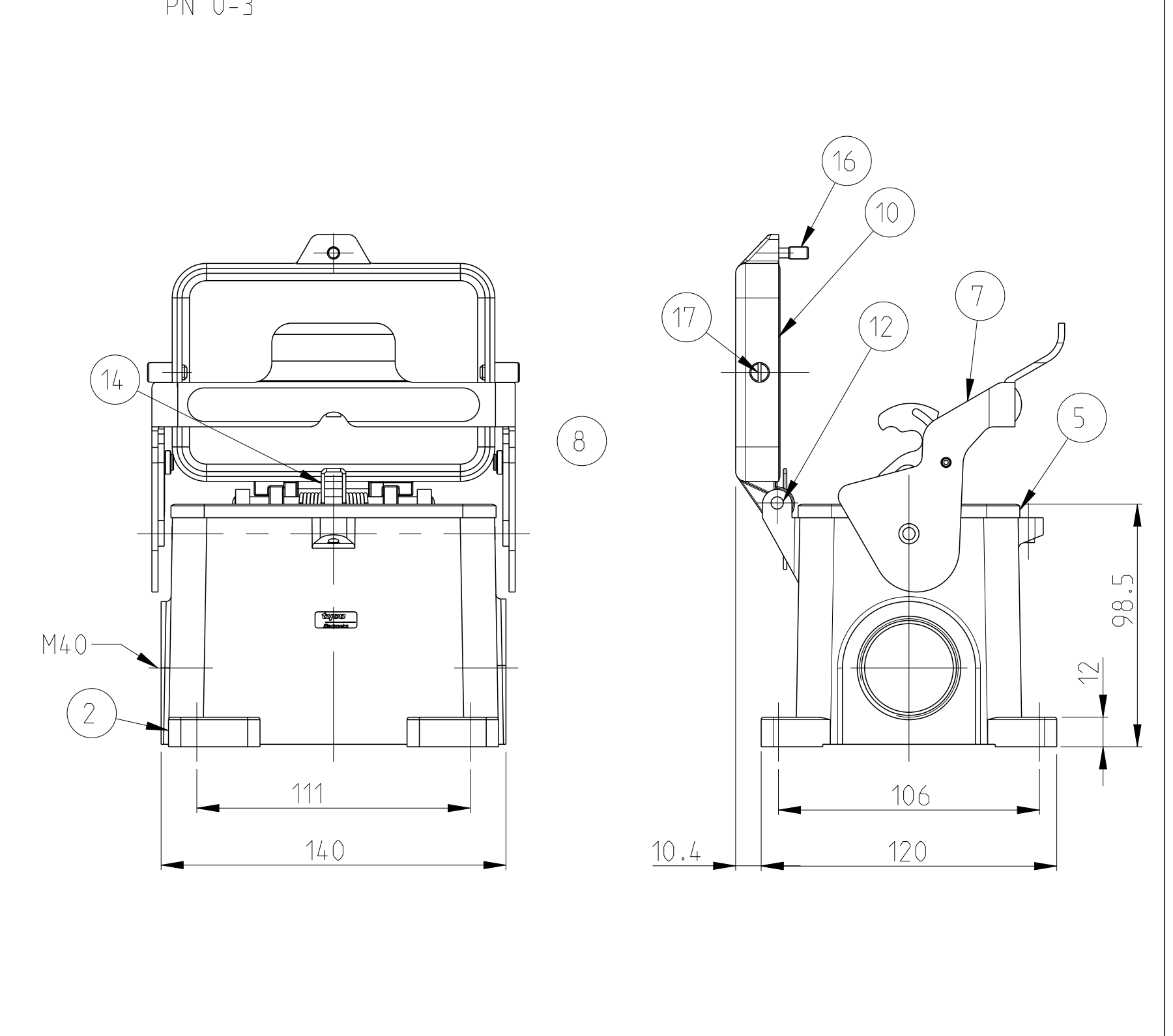
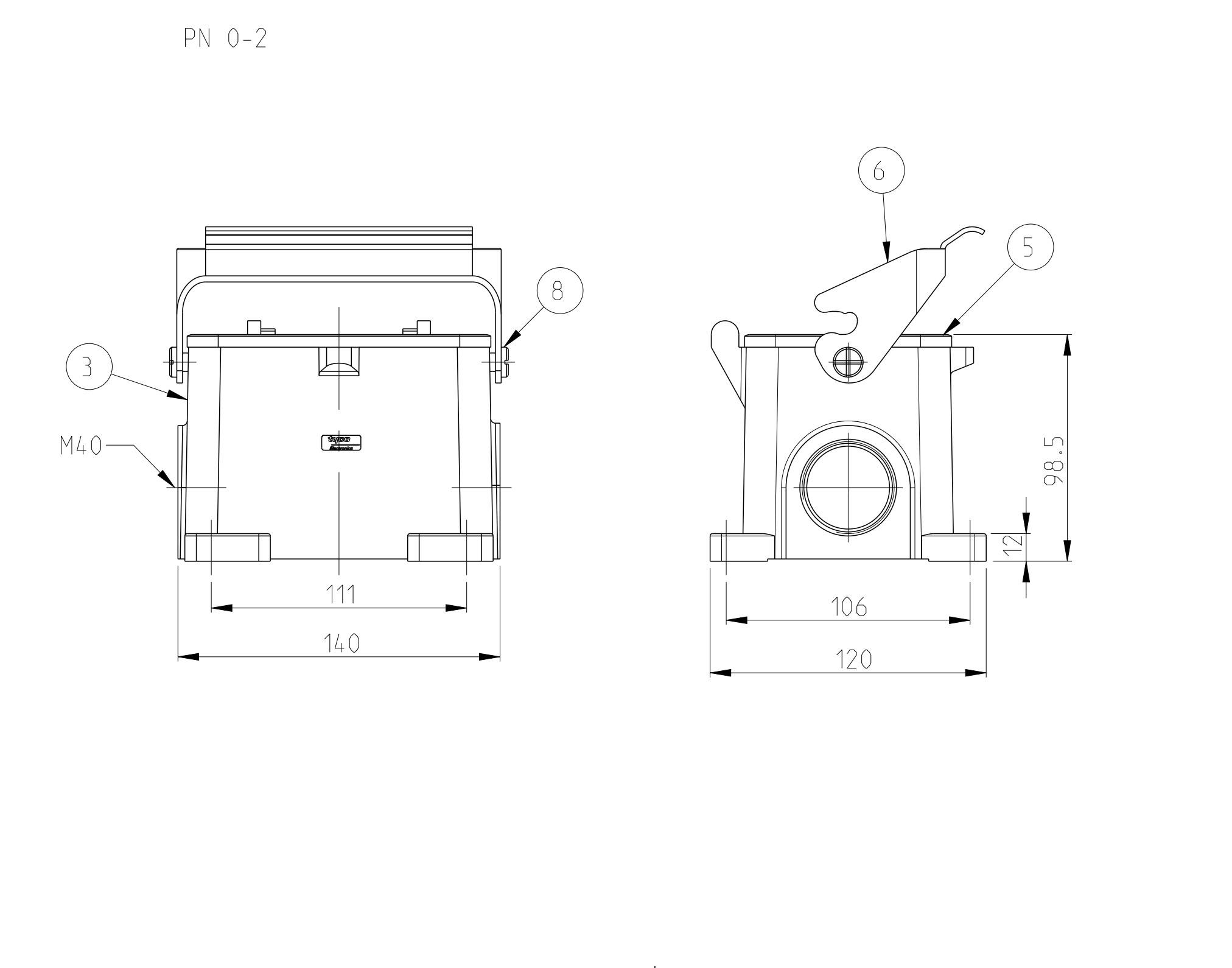
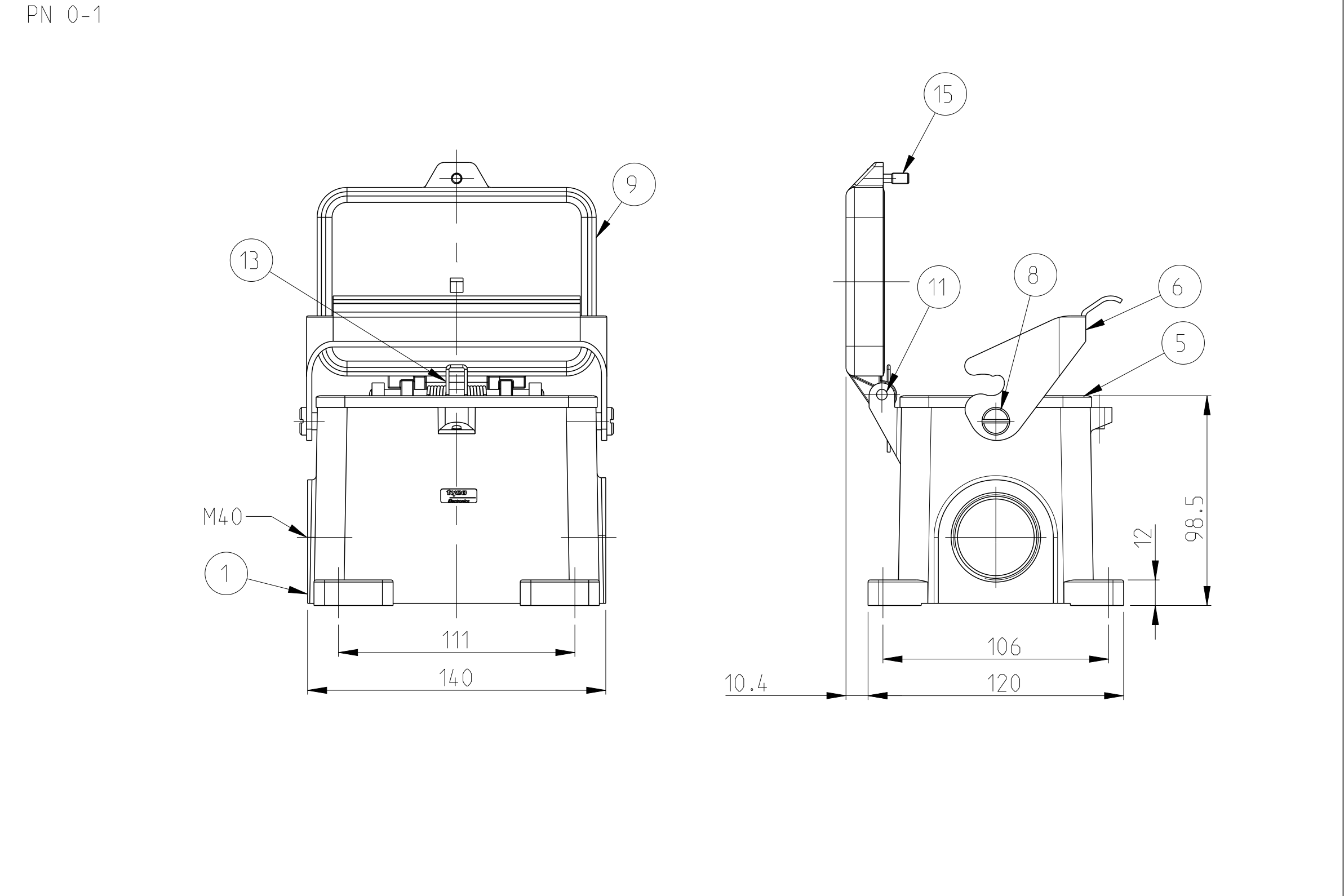
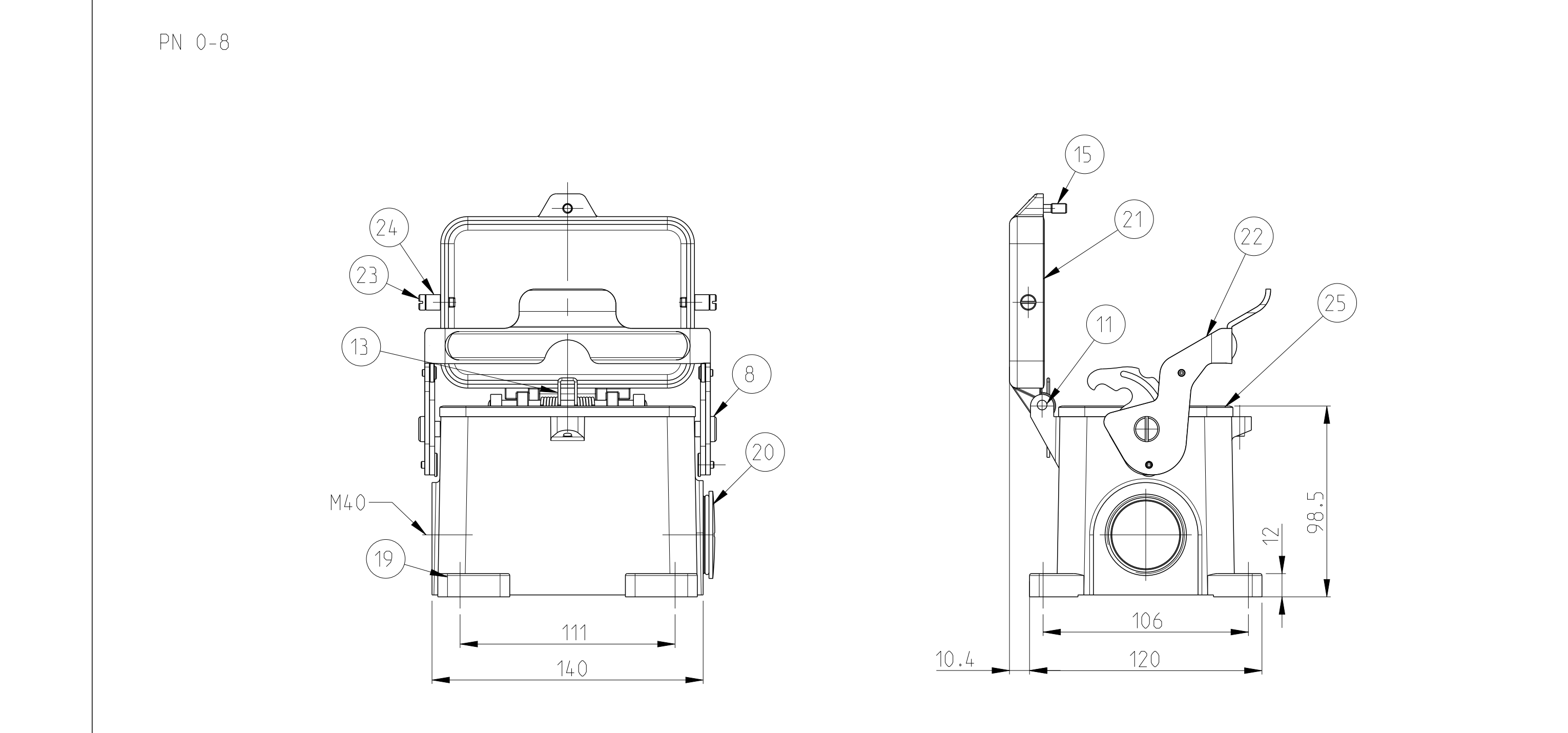
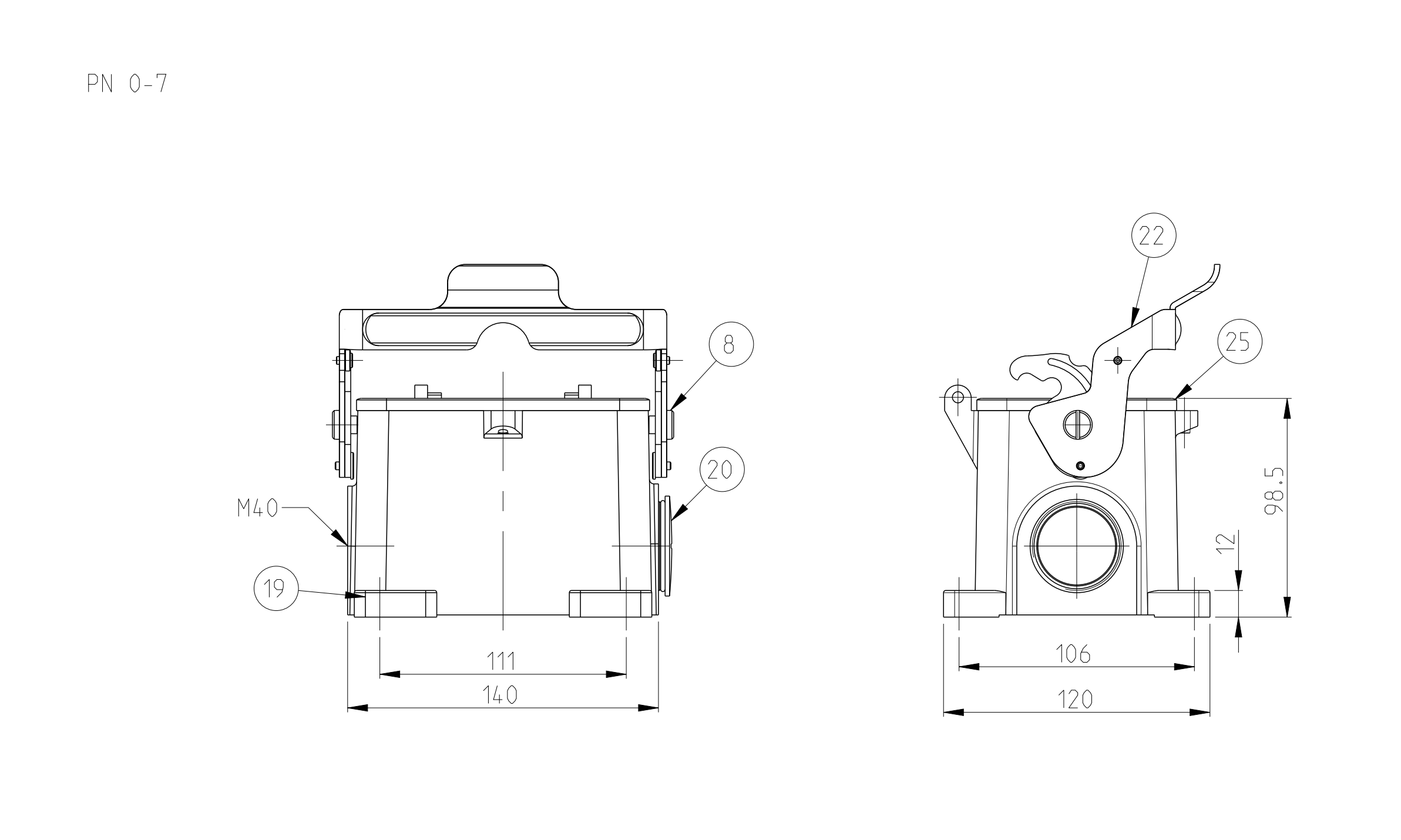
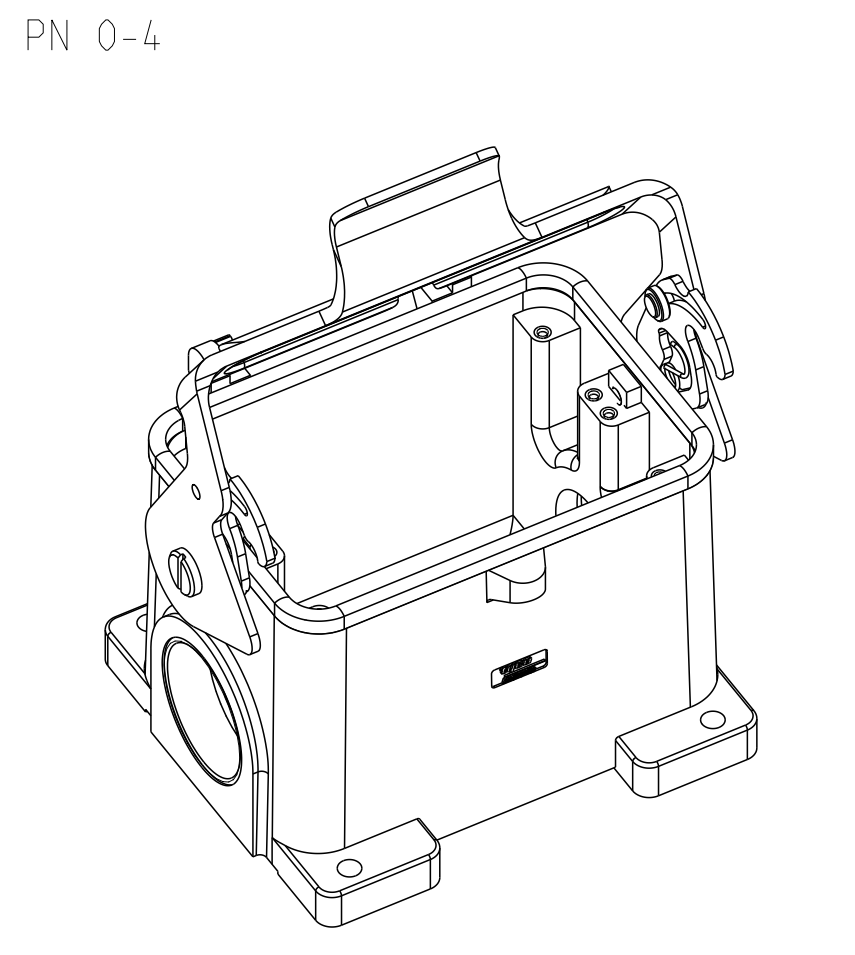
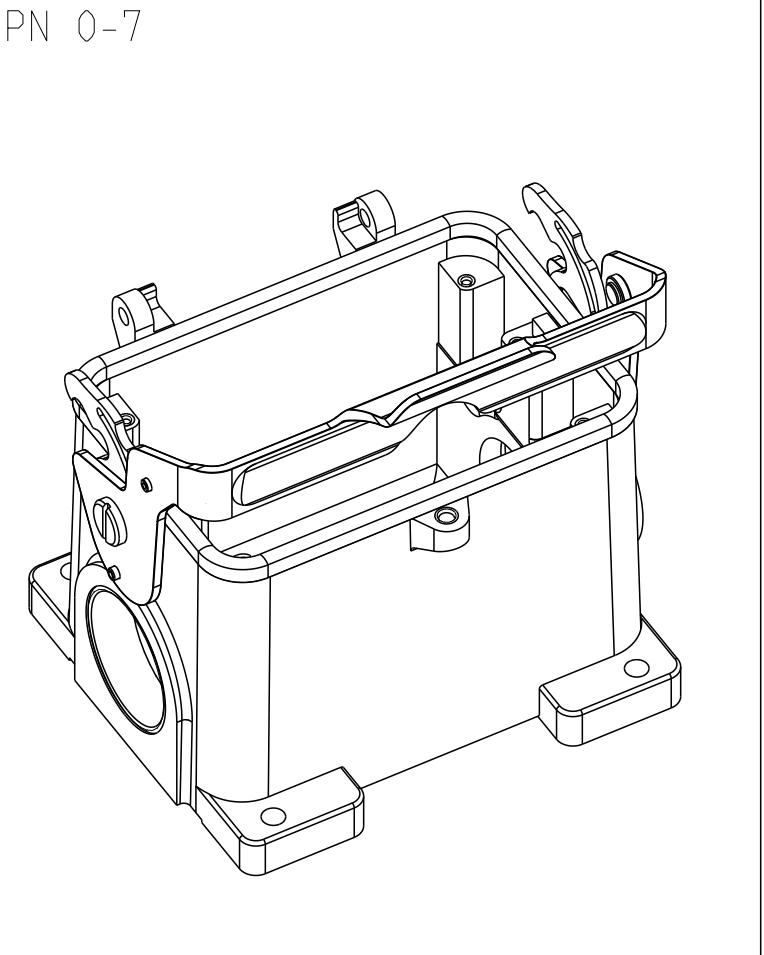
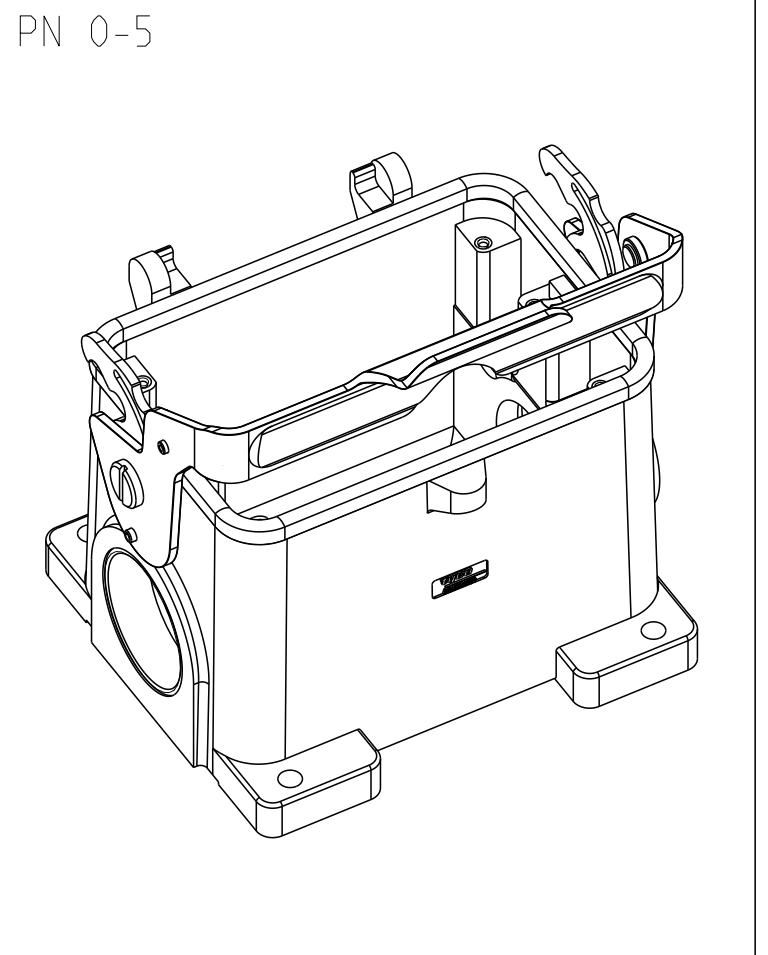
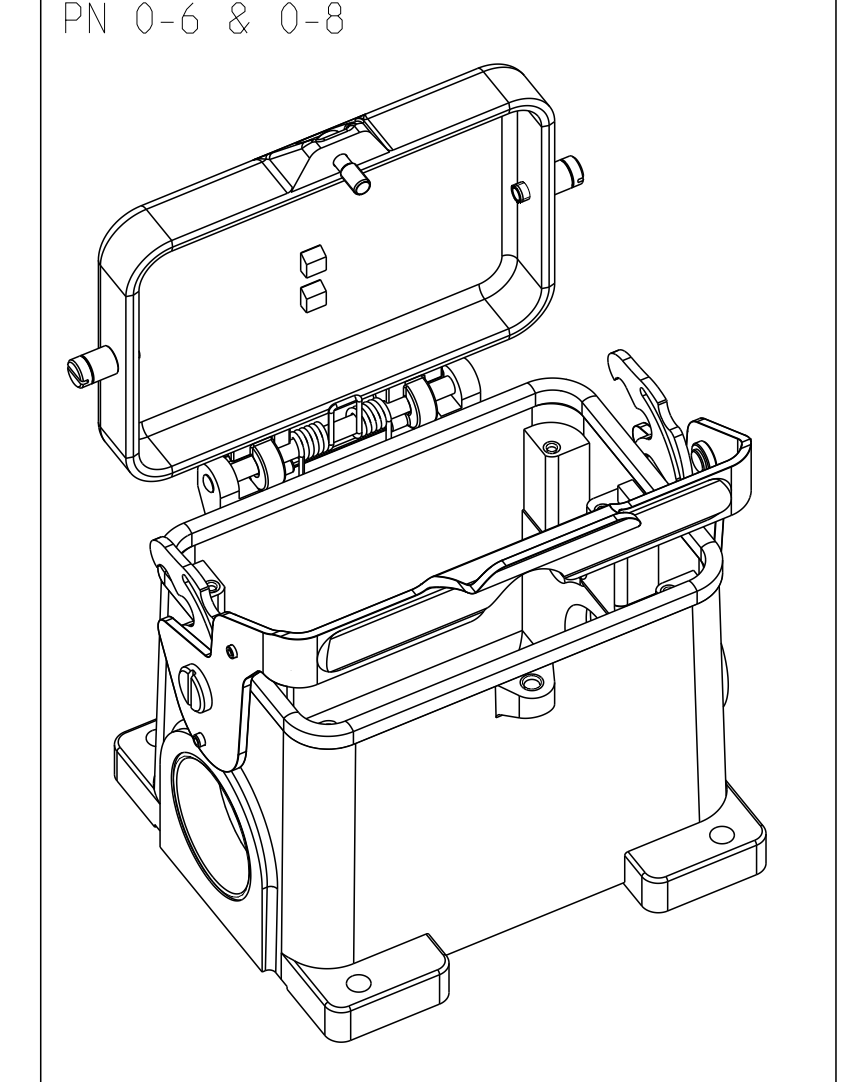
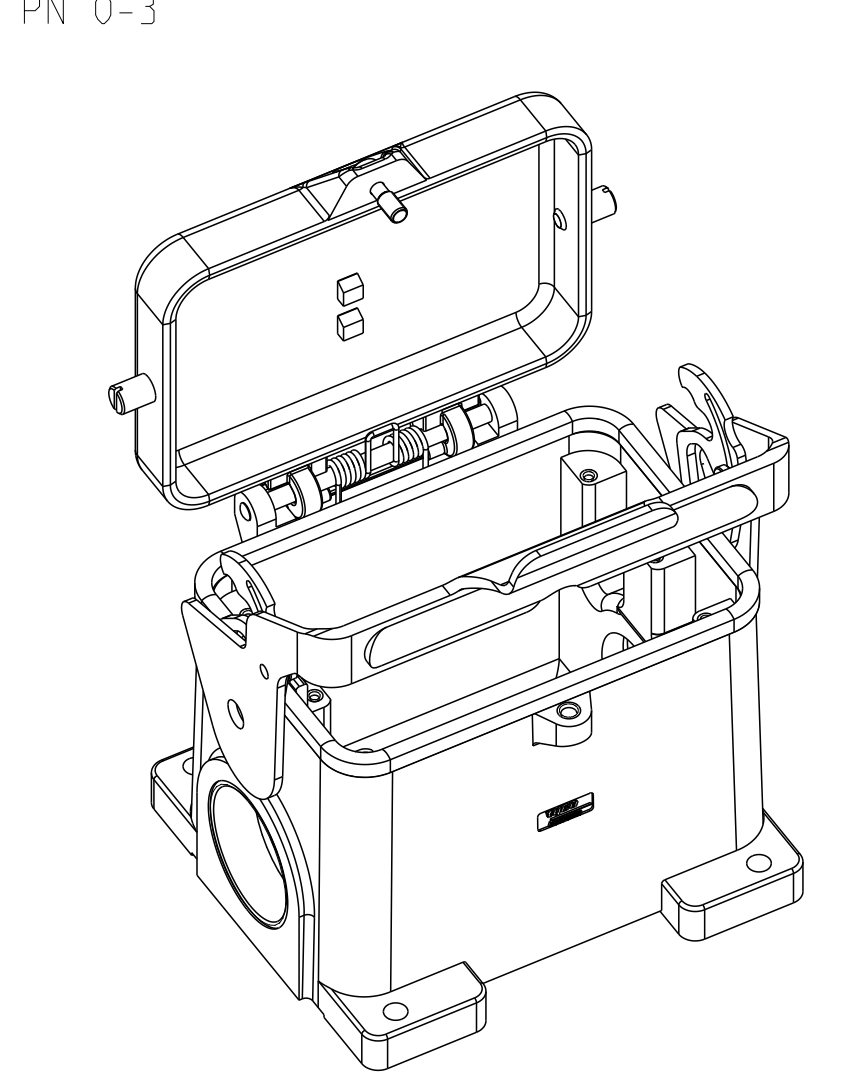
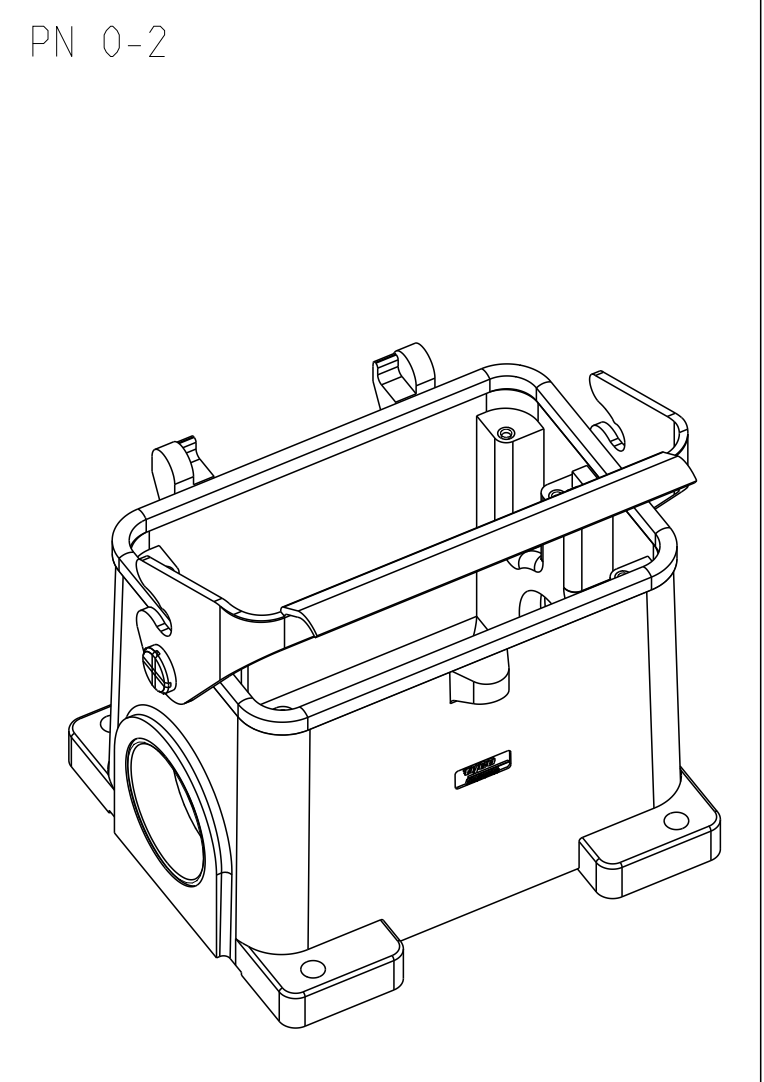
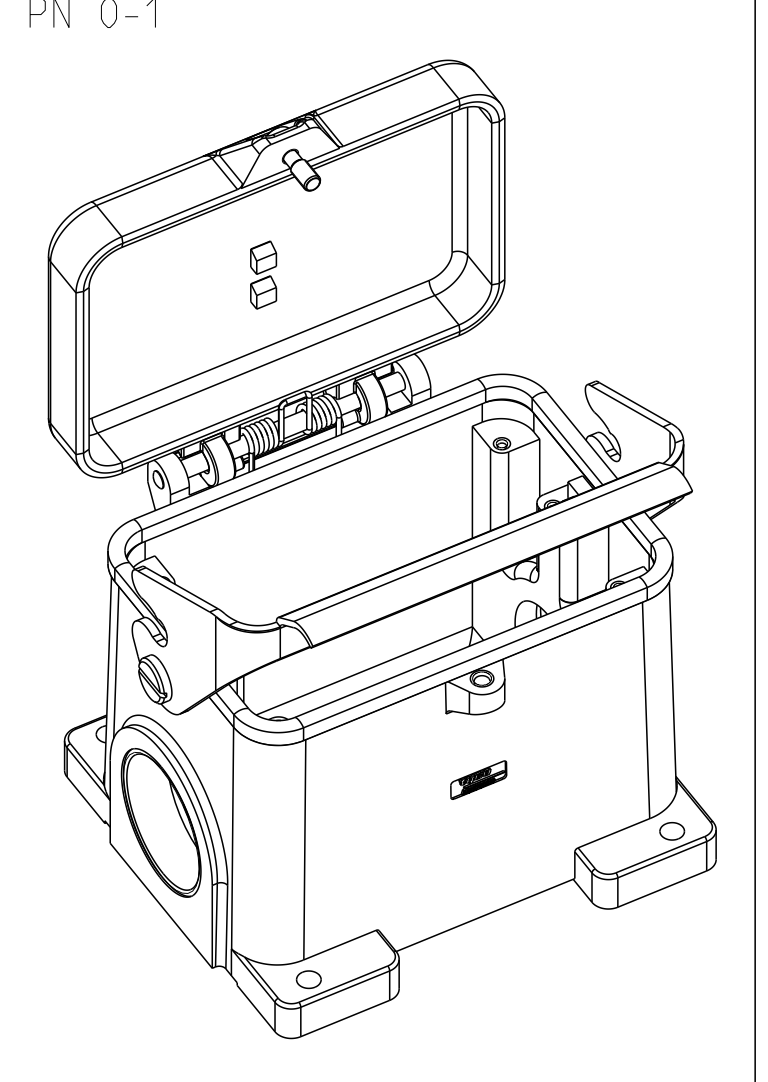
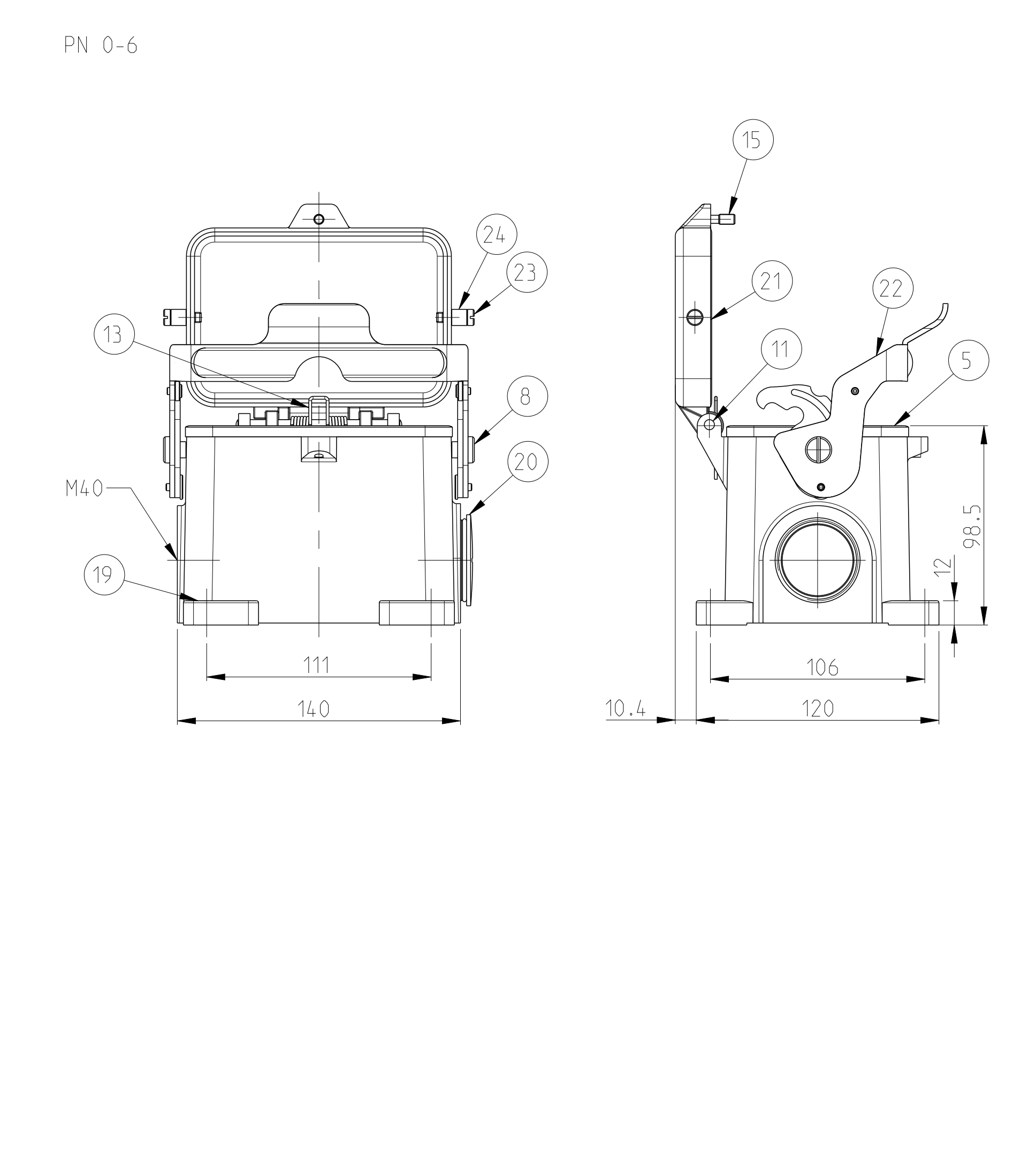
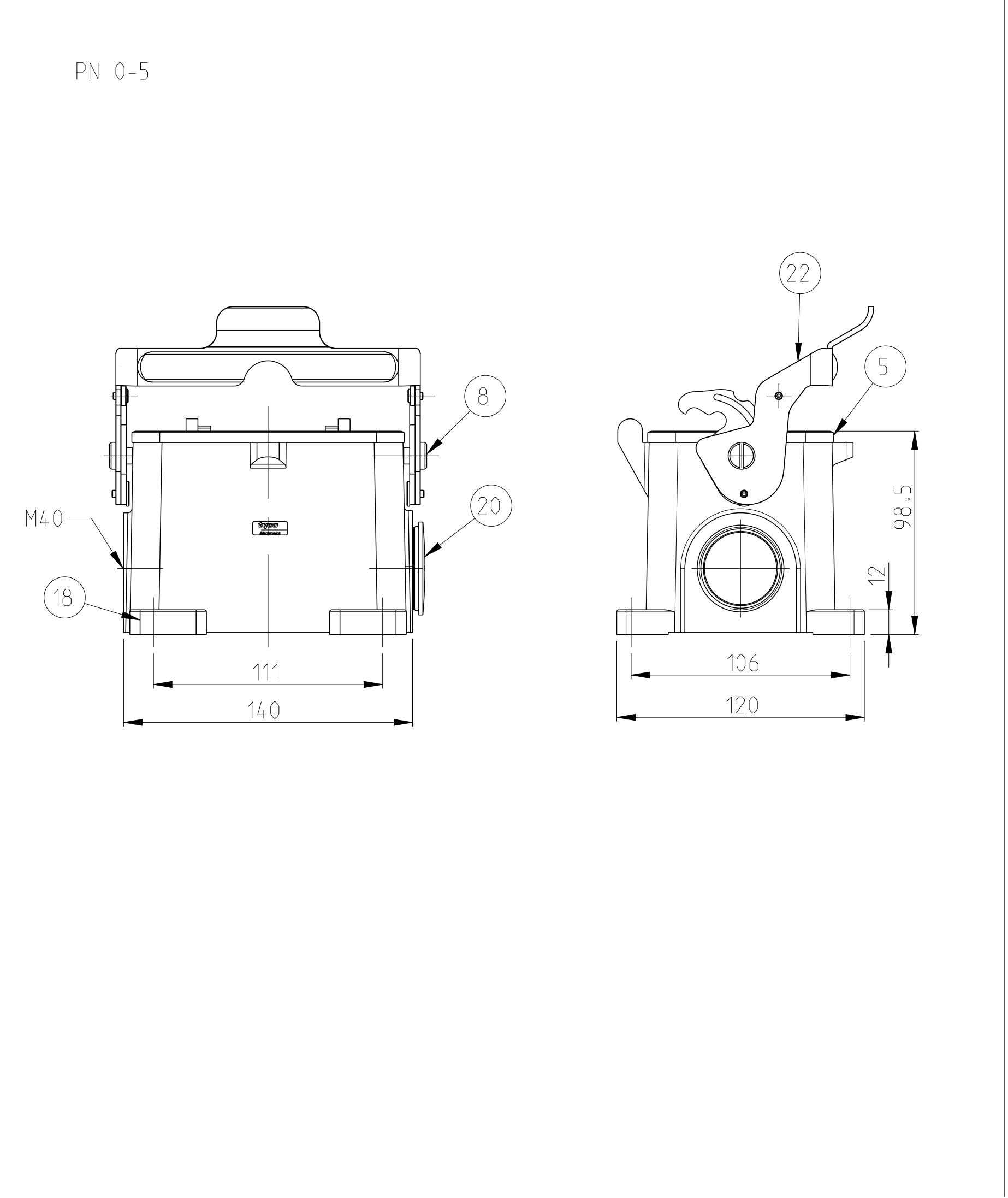
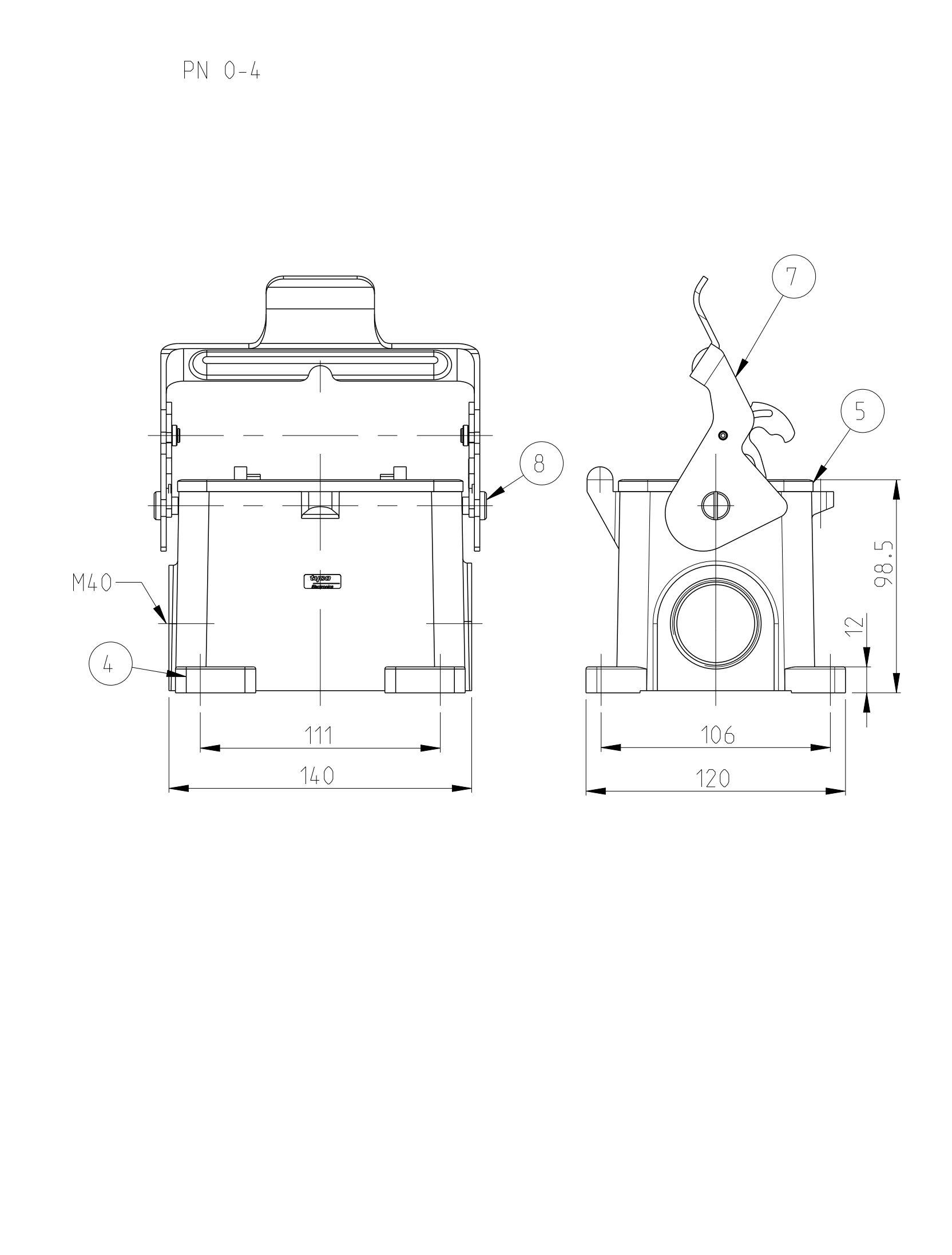


REVOLUTIONS		DATE	BY	APPD
A1	REVISED PER ECR-17-014013	14FEB2018	SRG	MKO



- NOTES
- PARTS SHALL BE BLANK, SMOOTH, FREE OF BURS AND ALL OTHER FOREIGN MATERIAL. NO CAST-UNEVENNESS ALLOWED
  - PACKING: 2 PIECES MAX. IN A BOX
  - VARNISHING INSIDE HOUSING NOT REQUIRED



QTY	DESCRIPTION	MATERIAL	SURFACE	COLOR	ITEM	NOTES
25	PROFILE SEAL	VITON			25	
2	SLIDE SPOOL HB.48	STAINLESS STEEL	BLANK		24	
2	CLIP BOLT	STAINLESS STEEL	BLANK		23	M5
1	SIDE CLIP - STÄUBLI	STAINLESS STEEL	BLANK		22	
1	COVER	ALUMINIUM		GREY	21	
1	BLANKING PIECE WITH SEAL	STEEL		BLUE	20	M4.0
1	SURFACE MOUNTED HOUSING SIDE ENTRY	ALUMINIUM		GREY	19	NEUTRAL
1	SURFACE MOUNTED HOUSING SIDE ENTRY	ALUMINIUM		GREY	18	NEUTRAL
2	CLIP BOLT	STAINLESS STEEL	BLANK		17	
2	CYLINDER SCREW	STAINLESS STEEL	BLANK		16	M5x16
1	CYLINDER SCREW	STEEL	ZINC PLATED	BLUE	15	M5x16
1	LEG SPRING	STAINLESS STEEL	BLANK		14	
1	LEG SPRING	STEEL	ZINC PLATED	BLUE	13	
1	RIVET PIN	STAINLESS STEEL	BLANK		12	Ø5x80
1	RIVET PIN	STEEL	ZINC PLATED	BLUE	11	Ø5x80
1	COVER	ALUMINIUM	ALUMINIUMOXIDE	BLACK	10	
1	COVER	ALUMINIUM		GREY	9	
2	SLOTTED PAN HEAD SCREW	STAINLESS STEEL	BLANK		8	M6x8
2	SIDE CLIP	STAINLESS STEEL	BLANK		7	
1	SIDE CLIP	STEEL	ZINC PLATED	BLUE	6	
1	PROFILE SEAL	NEOPRENE		BLACK	5	
1	SURFACE MOUNTED HOUSING SIDE ENTRY	ALUMINIUM	ALUMINIUMOXIDE	BLACK	4	
1	SURFACE MOUNTED HOUSING SIDE ENTRY	ALUMINIUM		GREY	3	
1	SURFACE MOUNTED HOUSING SIDE ENTRY	ALUMINIUM	ALUMINIUMOXIDE	BLACK	2	
1	SURFACE MOUNTED HOUSING SIDE ENTRY	ALUMINIUM		GREY	1	

THIS DRAWING IS A CONTROLLED DOCUMENT. DATE: 26 JAN 2009. CHN: T. SCHALBREITL. PRODUCT SPEC: SURFACE MOUNTED HOUSING SIDE ENTRY HB.48.SGD-LB.2.M4.0.Z-BS. SCALE: 1:2. SHEET 1 OF 1. REV: BB.

单击下面可查看定价，库存，交付和生命周期等信息

[>>TE Connectivity\(泰科\)](#)