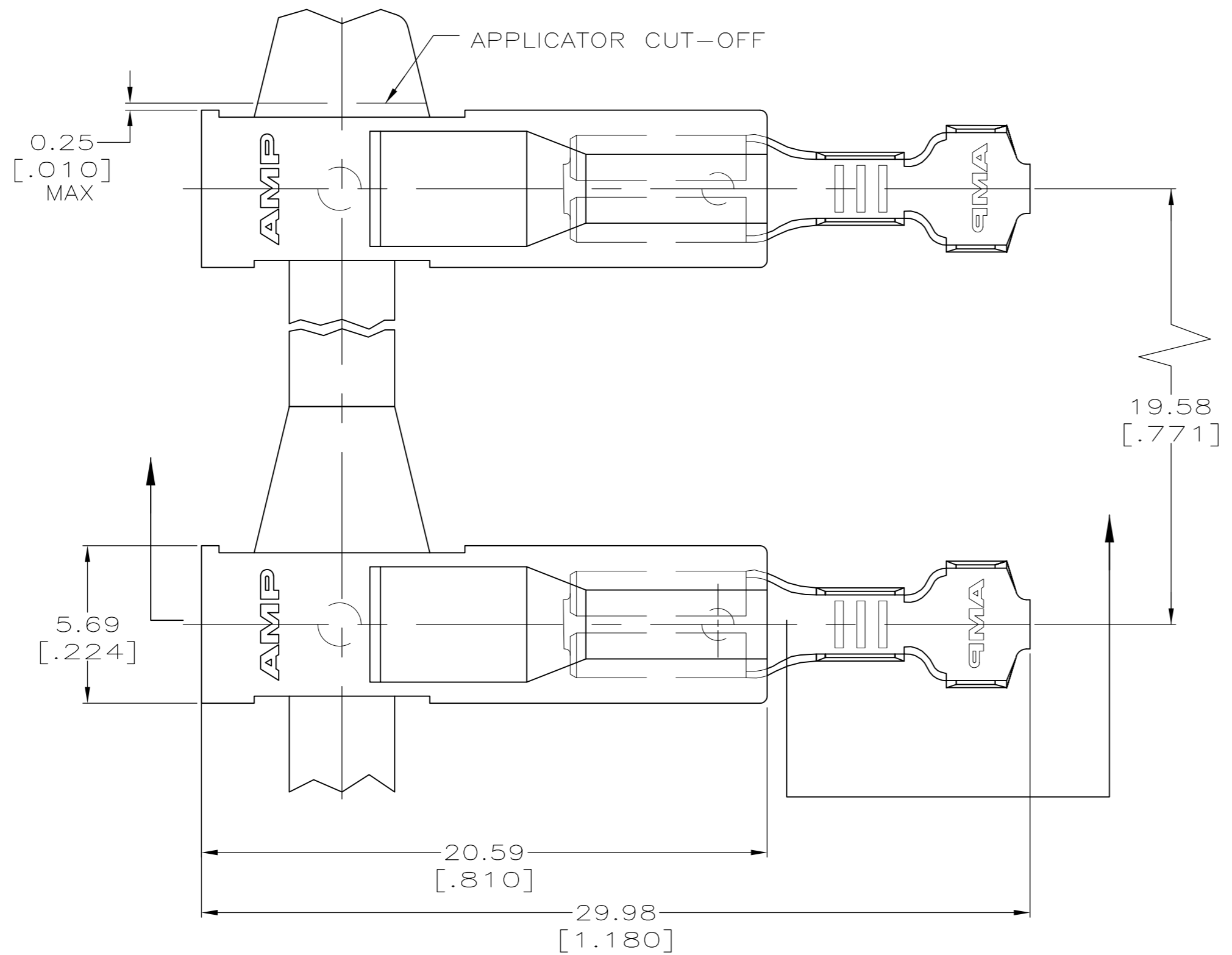
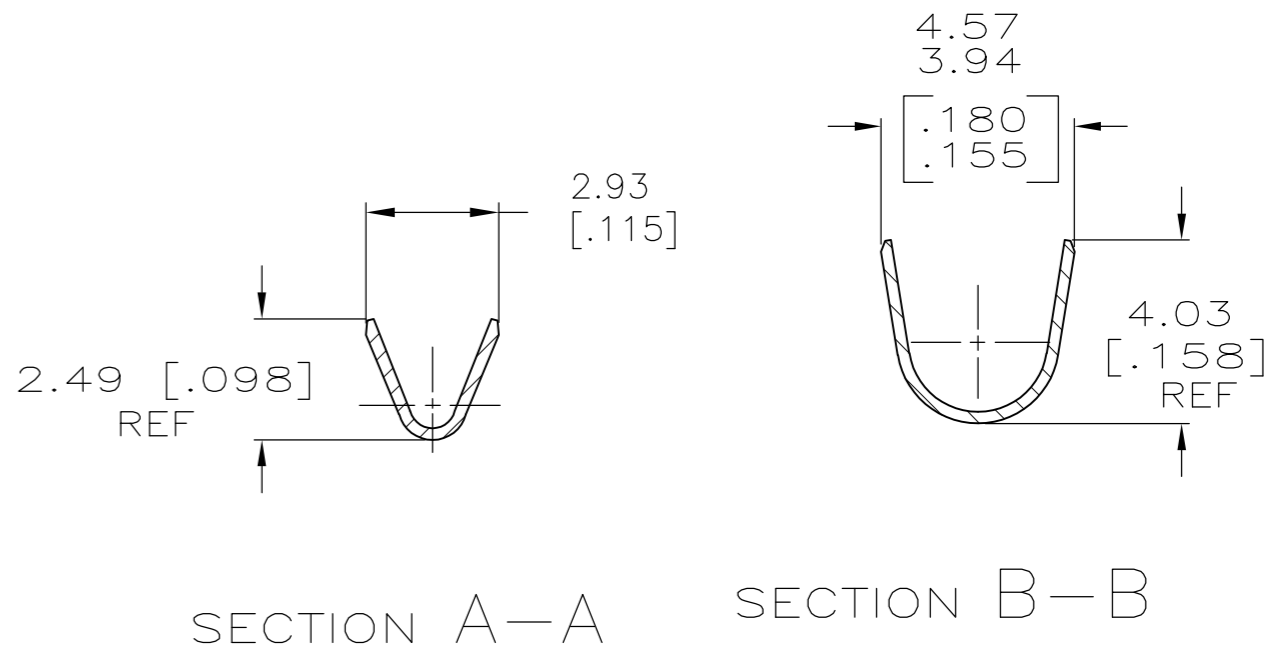
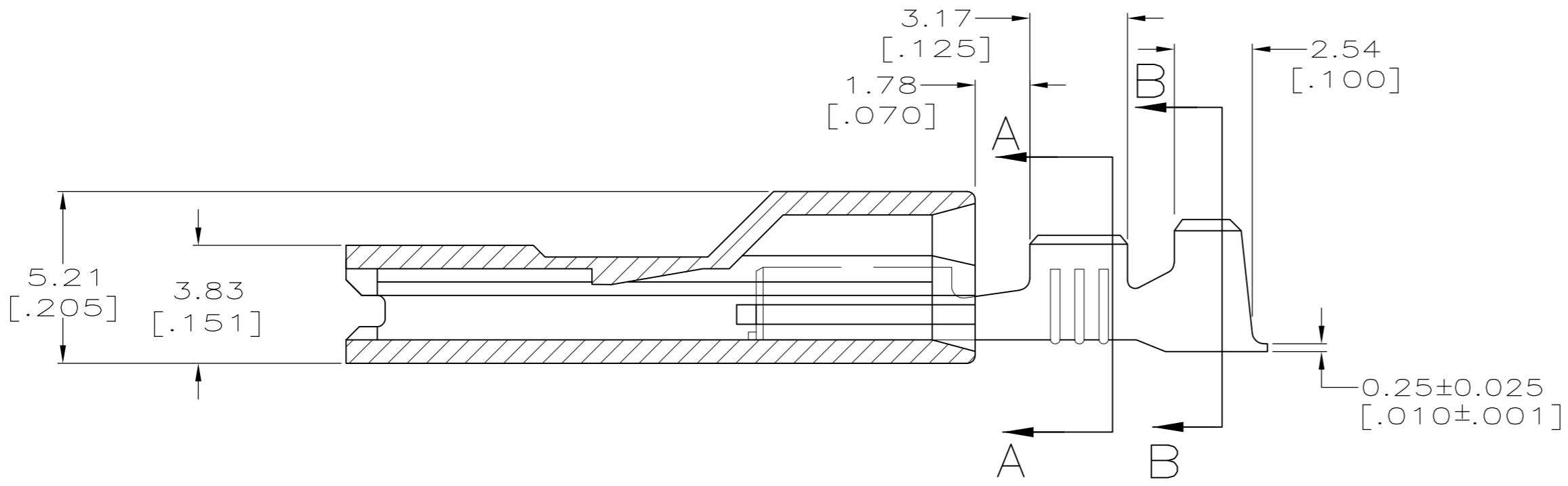


THIS DRAWING IS UNPUBLISHED. RELEASED FOR PUBLICATION  
 © COPYRIGHT - By - ALL RIGHTS RESERVED.

LOC	DIST	REVISIONS			
P	LTR	DESCRIPTION	DATE	DWN	APVD
AF	50	G	REVISED PER ECR-12-013219	08JAN13	KH KR



- 1 MATING TAB THK IS 0.51±0.025 [.020±.001].
- 2 WIRE SIZE IS [#22-#18] AWG.
- 3 INSULATION RANGE IS 2.03-3.05 [.080-.120] DIA.
- 4 MATERIAL, TERMINAL - BRASS  
HOUSING - 6/6 NYLON
- 5 FINISH, TERMINAL - SEE TABLE  
HOUSING - NATURAL



0.002032 [.000080] MIN TIN	521228-2
-	521228-1
TERMINAL FINISH 5	PART NO.
<b>STE</b> TE Connectivity	
ASSEMBLY, RECEPTACLE, ULTRA-POD, 2.79 [.110] SERIES	
SIZE A2	CAGE CODE 00779
DRAWING NO. C=521228	RESTRICTED TO -
CUSTOMER DRAWING	SCALE 6:1 SHEET 1 of 1 REV G

THIS DRAWING IS A CONTROLLED DOCUMENT.	
DIMENSIONS: mm [INCHES]	TOLERANCES UNLESS OTHERWISE SPECIFIED:
0 PLC ± -	1 PLC ± -
2 PLC ± 0.25 [.010]	3 PLC ± -
4 PLC ± -	ANGLES ± -
MATERIAL 4	FINISH 5

DWN JR RUTH 03NOV99	NAME
CHK MS FEHER 03NOV99	PRODUCT SPEC
APVD D BRATINA 03NOV99	APPLICATION SPEC
108-1285	114-2124
WEIGHT -	SCALE 6:1

单击下面可查看定价，库存，交付和生命周期等信息

[>>TE Connectivity\(泰科\)](#)