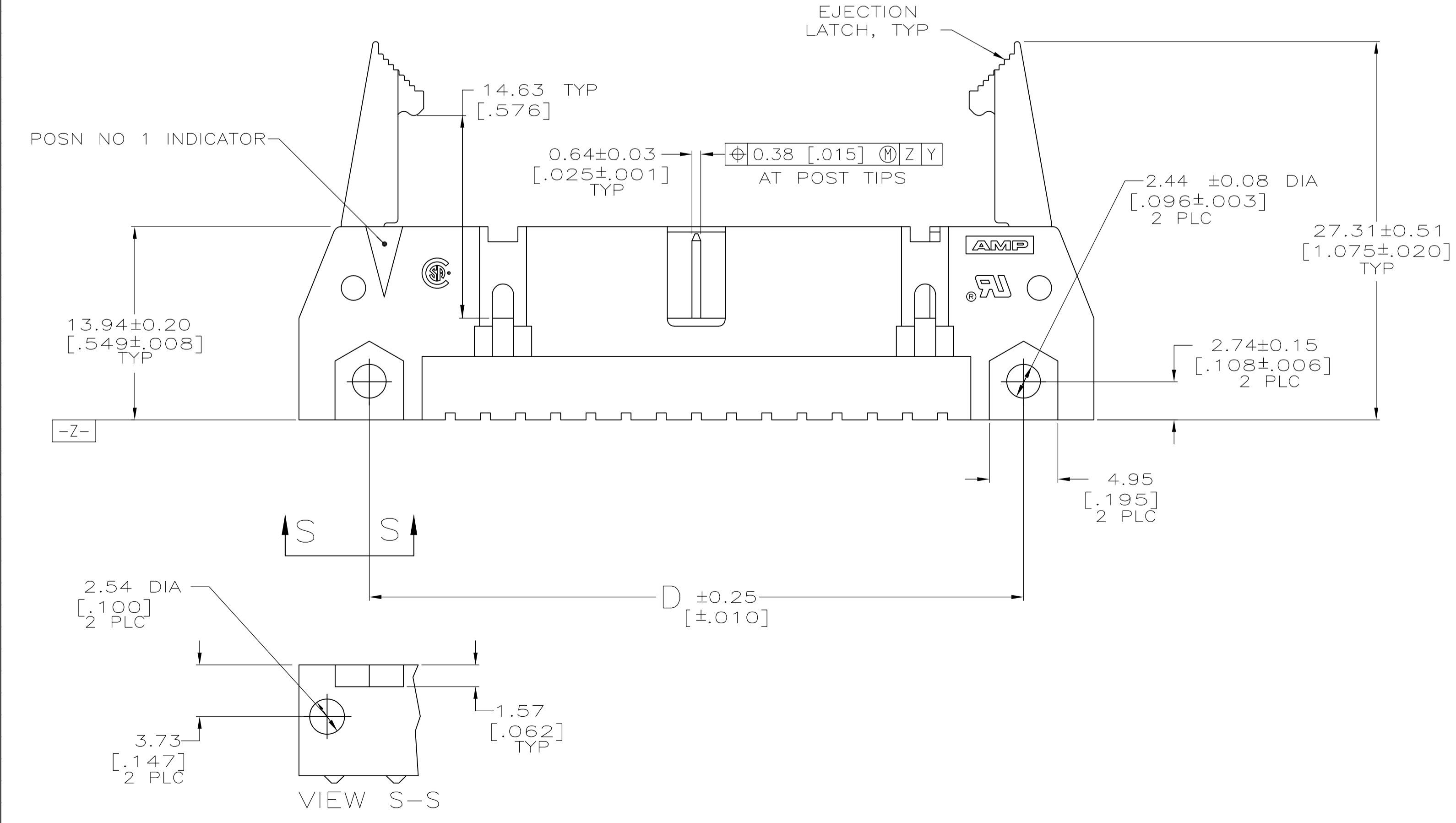
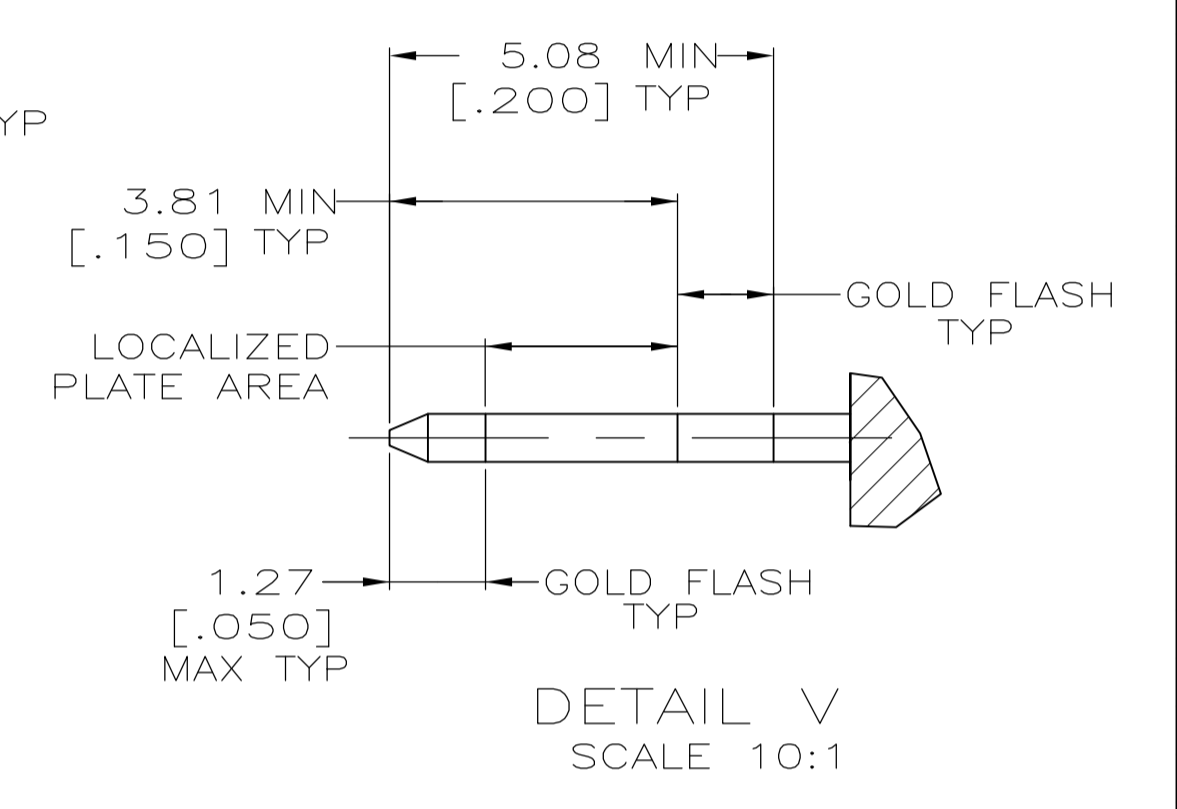
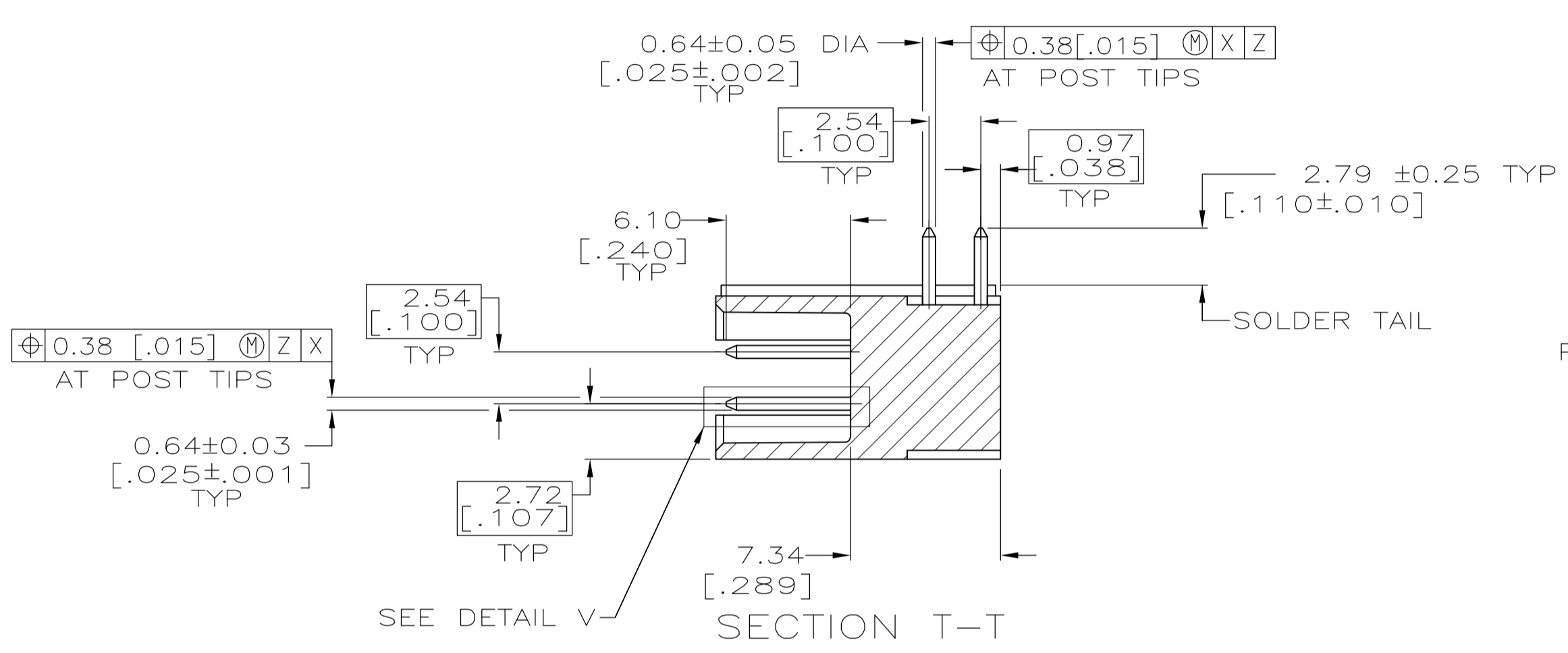
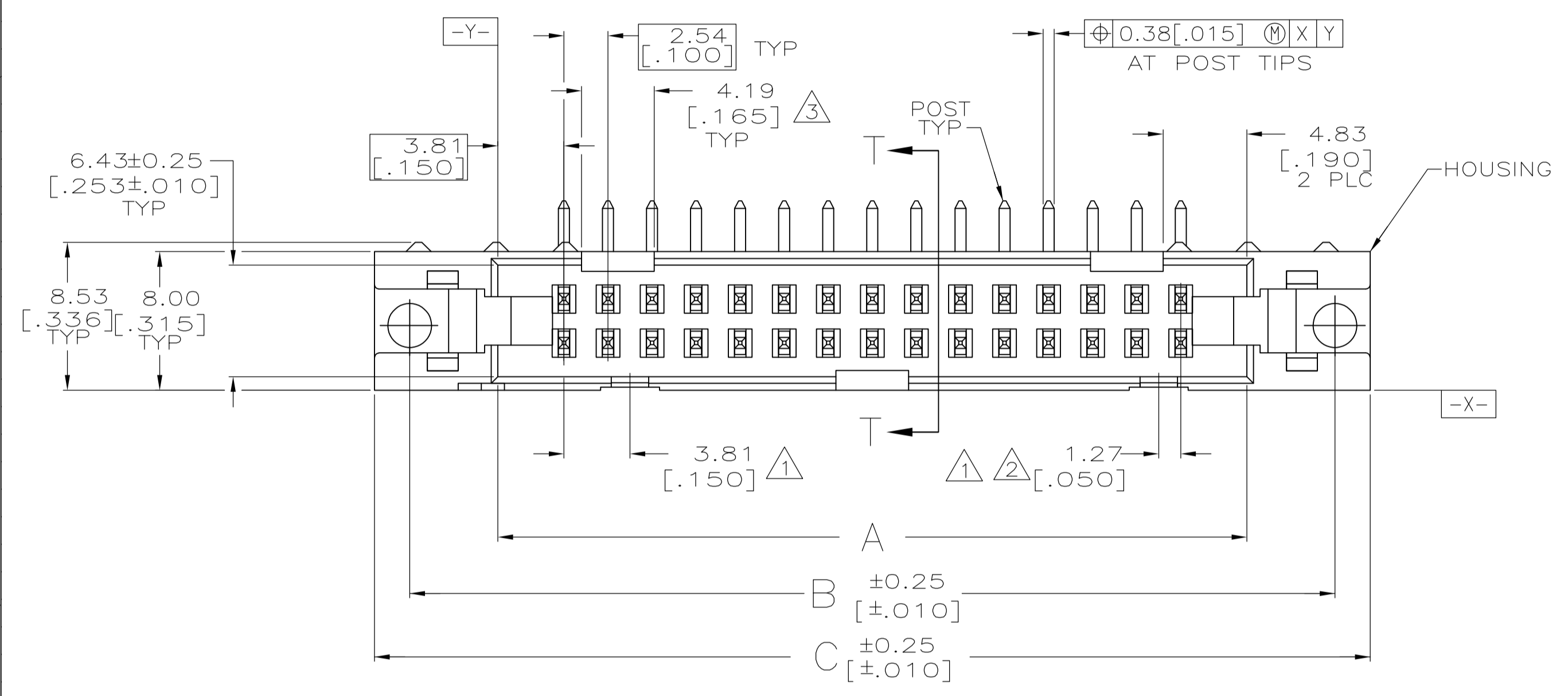


- 1. COORDINATE DIMENSION APPLIES FROM BASIC LOCATION.
- 2. 10 AND 14 POSITION SIZES CONTAIN ONLY ONE SLOT FOR SNAP-IN POLARIZER (MILITARY POLARIZATION) LOCATED AS SHOWN.
- 3. 10 POSITION SIZES CONTAIN ONLY ONE SLOT FOR DUAL POLARIZATION, LOCATED AS SHOWN.
- 4. RECOMMENDED PRINTED CIRCUIT BOARD THICKNESS IS 1.57 [.062].
- 5. DISTANCE REQUIRED BY EJECTION LATCHES IN THE OPEN POSITION.
- 6. POSTS: GOLD FLASH OVER PALLADIUM-NICKEL PLATE, 0.76µm [.000030] MIN TOTAL ON THE LOCALIZED PLATE AREA, 2.54µm [.000100] MIN TIN OR TIN-LEAD PLATE ON THE TAIL, 1.27µm [.000050] MIN NICKEL UNDERPLATE ON THE ENTIRE POST.
-OR-
0.76µm [.000030] MIN GOLD PLATE ON THE LOCALIZED PLATE AREA, 2.54µm [.000100] MIN TIN OR TIN-LEAD PLATE ON THE TAIL, 1.27µm [.000050] MIN NICKEL UNDERPLATE ON THE ENTIRE POST.
- 7. OBSOLETE PARTS: OBSOLETE CIS STREAMLINING PER D.RENAUD/D.SINISI

EJECTION LATCHES OMITTED IN THIS VIEW FOR CLARITY

RECOMMENDED PC BOARD MOUNTING DIMENSIONS SCALE 2:1



| | | | | | | | | |
|----------|---------|---------|---------|---------|---------|---------|------------|-------------|
| OBSOLETE | 53.34 | 65.02 | 65.02 | 75.18 | 71.12 | 60.96 | 44 | 1-499141-3 |
| | [2.100] | [2.560] | [2.560] | [2.960] | [2.800] | [2.400] | | |
| 7 | 78.74 | 90.42 | 90.42 | 100.58 | 96.52 | 86.36 | 64 | 1-499141-2 |
| | [3.100] | [3.560] | [3.560] | [3.960] | [3.800] | [3.400] | | |
| 7 | 73.66 | 85.34 | 85.34 | 95.50 | 91.44 | 81.28 | 60 | 1-499141-1 |
| | [2.900] | [3.360] | [3.360] | [3.760] | [3.600] | [3.200] | | |
| 7 | 60.96 | 72.64 | 72.64 | 82.80 | 78.74 | 68.58 | 50 | 1-499141-0 |
| | [2.400] | [2.860] | [2.860] | [3.260] | [3.100] | [2.700] | | |
| 7 | 48.26 | 59.94 | 59.94 | 70.10 | 66.04 | 55.88 | 40 | 499141-9 |
| | [1.900] | [2.360] | [2.360] | [2.760] | [2.600] | [2.200] | | |
| 7 | 40.64 | 52.32 | 52.32 | 62.48 | 58.42 | 48.26 | 34 | 499141-8 |
| | [1.600] | [2.060] | [2.060] | [2.460] | [2.300] | [1.900] | | |
| 7 | 35.56 | 47.24 | 47.24 | 57.40 | 53.34 | 43.18 | 30 | 499141-7 |
| | [1.400] | [1.860] | [1.860] | [2.260] | [2.100] | [1.700] | | |
| 7 | 30.48 | 42.16 | 42.16 | 52.32 | 48.26 | 38.10 | 26 | 499141-6 |
| | [1.200] | [1.660] | [1.660] | [2.060] | [1.900] | [1.500] | | |
| 7 | 27.94 | 39.62 | 39.62 | 49.78 | 45.72 | 35.56 | 24 | 499141-5 |
| | [1.100] | [1.560] | [1.560] | [1.960] | [1.800] | [1.400] | | |
| 7 | 22.86 | 34.54 | 34.54 | 44.70 | 40.64 | 30.48 | 20 | 499141-4 |
| | [.900] | [1.360] | [1.360] | [1.760] | [1.600] | [1.200] | | |
| 7 | 17.78 | 29.46 | 29.46 | 39.62 | 35.56 | 25.40 | 16 | 499141-3 |
| | [.700] | [1.160] | [1.160] | [1.560] | [1.400] | [1.000] | | |
| 7 | 15.24 | 26.92 | 26.92 | 37.08 | 33.02 | 22.86 | 14 | 499141-2 |
| | [.600] | [1.060] | [1.060] | [1.460] | [1.300] | [.900] | | |
| 7 | 10.16 | 21.84 | 21.84 | 32.00 | 27.94 | 17.78 | 10 | 499141-1 |
| | [.400] | [.860] | [.860] | [1.260] | [1.100] | [.700] | | |
| | F | E | D | C | B | A | NO OF POSN | PART NUMBER |

THIS DRAWING IS A CONTROLLED DOCUMENT.

| | | | |
|---|--|---------------------|---------------------------------|
| DIMENSIONS: mm [INCHES] | TOLERANCES UNLESS OTHERWISE SPECIFIED: | DIN H. MOLL 4-23-90 | STE TE Connectivity |
| 0 PLC ± - | 1 PLC ± - | 11-28-90 | R. STONE |
| 2 PLC ± 0.13[.005] | 3 PLC ± - | 11-29-90 | NAME |
| 4 PLC ± - | ANGLES ± - | APVD S. GOOD | PRODUCT SPEC |
| MATERIAL: HOUSING & LATCHES: GLASS FILLED NYLON OR POLYESTER, 90%+ REIN. BLACK POSTS: BRASS | FINISH: 6 | APVD S. GOOD | APPLICATION SPEC |
| | | SIZE: A1 | 108-40018 |
| | | WEIGHT: - | 108-40018 |
| | | CUSTOMER DRAWING | SCALE: 4:1 SHEET 1 OF 1 REV: K2 |

单击下面可查看定价，库存，交付和生命周期等信息

[>>TE Connectivity\(泰科\)](#)