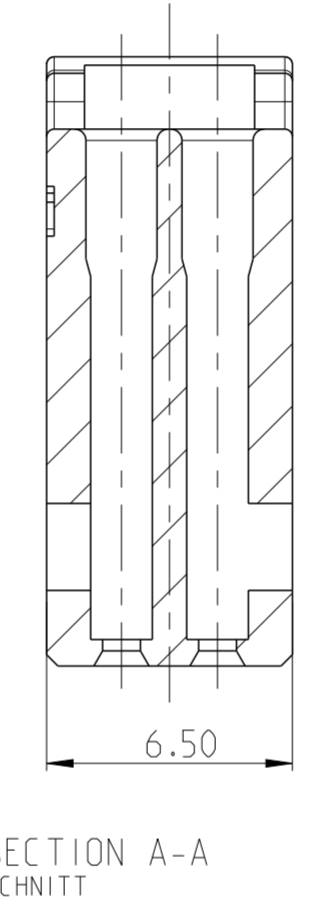
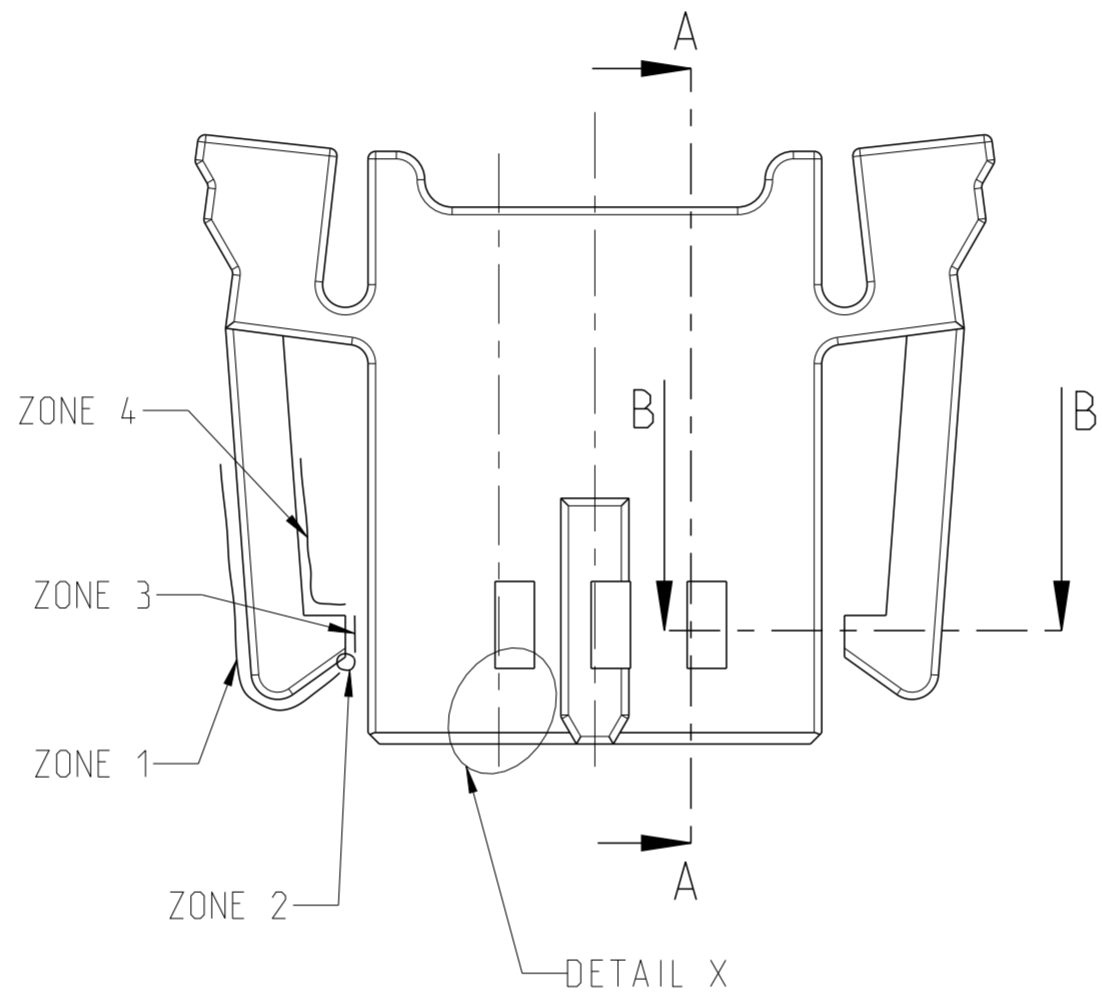
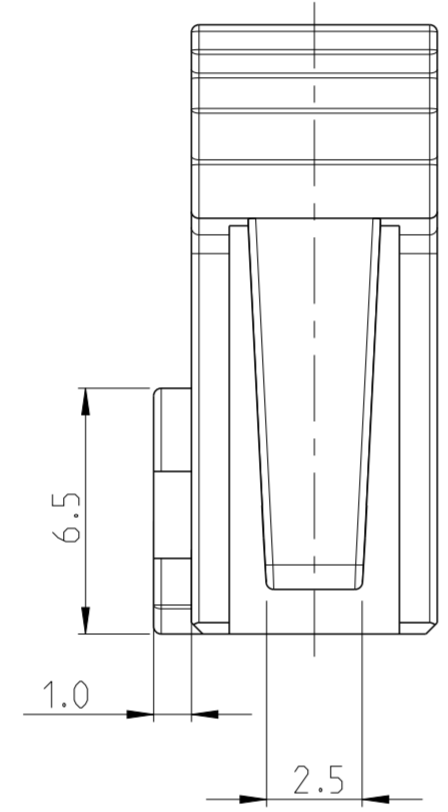
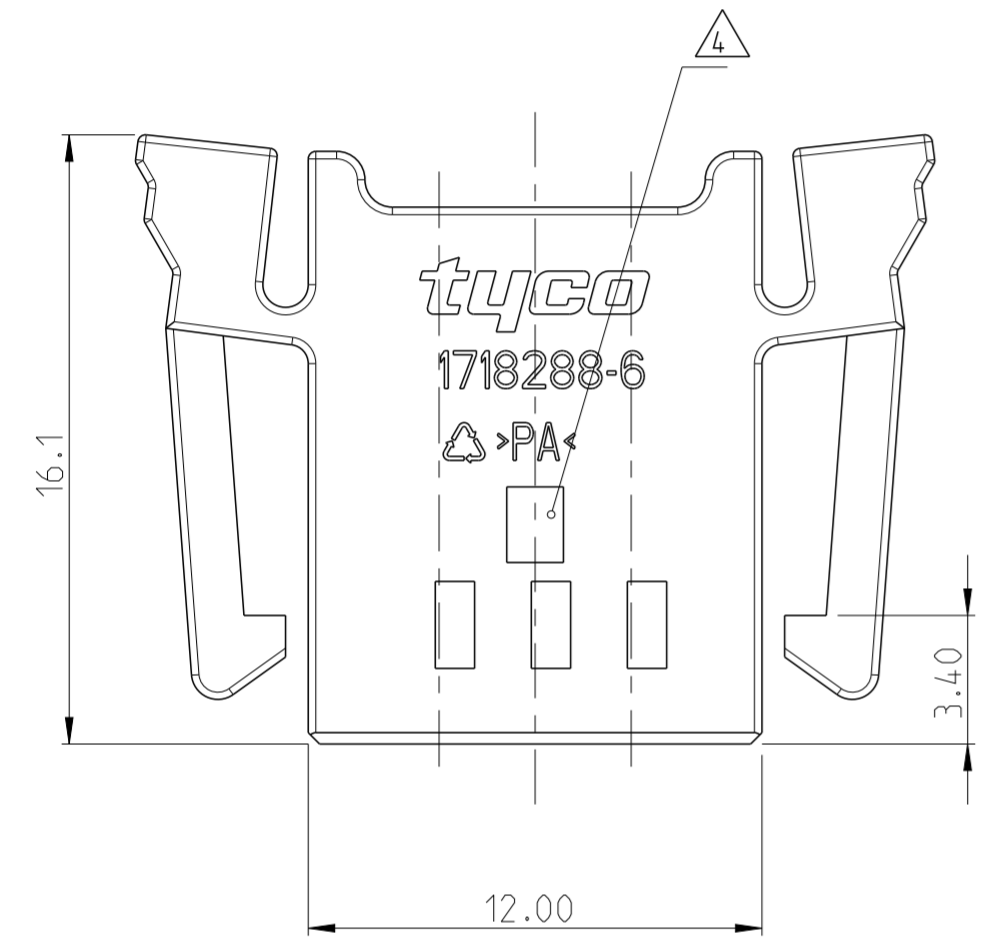
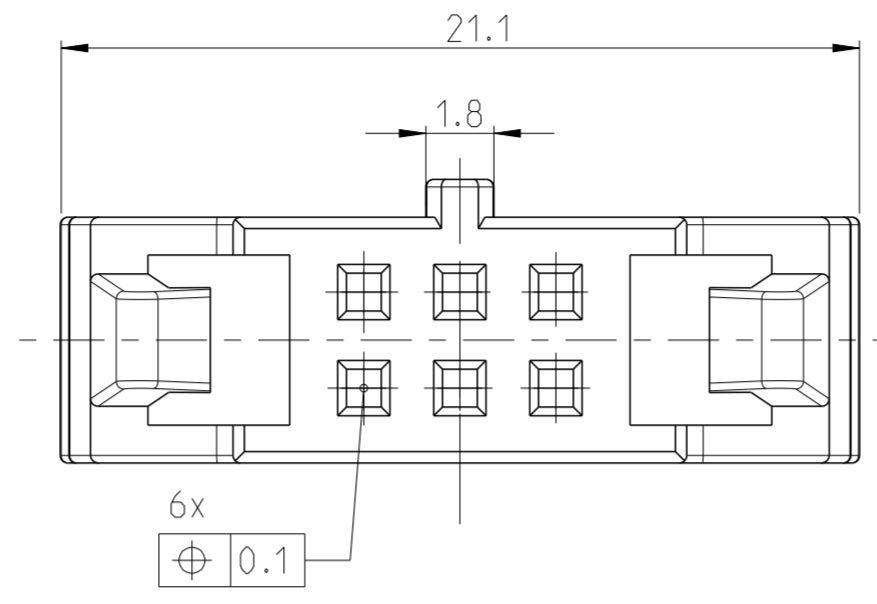
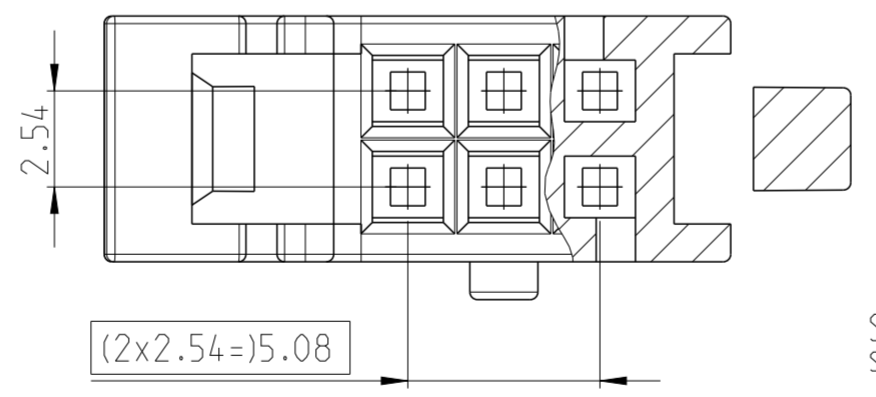
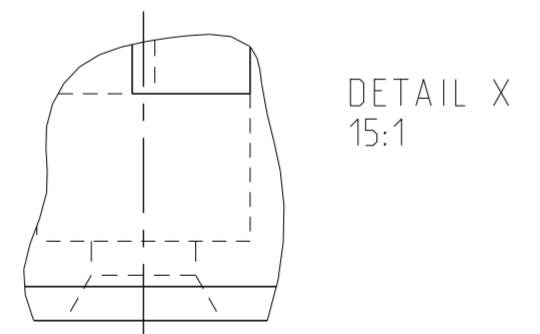


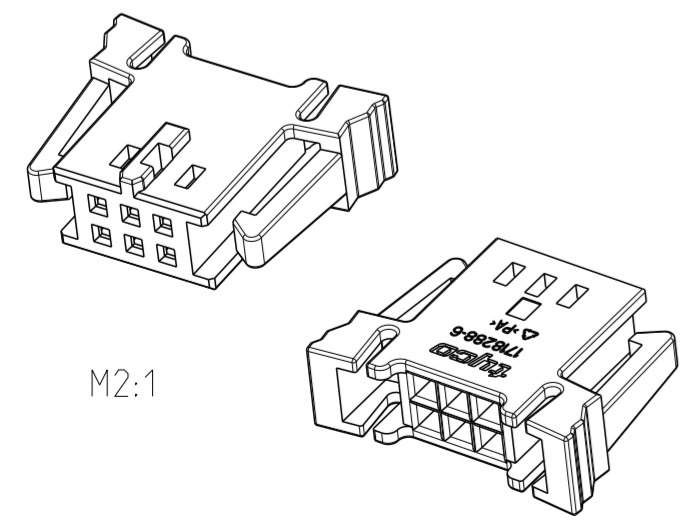
REVISIONS				
P	LTR	DESCRIPTION	DATE	APVD
B		NEW DRAWING - CD	14APR2014	TJ JK
B1		NOTE 6 ON BURR/FLASH LIMIT ADDED	11MAR2015	KJK PS



- REMARKS:
- 1 MATERIAL: PA, COLOUR BLACK
 - 2 ALL SYMBOLS 1.5 HIGH
 - 3 HOUSING FOR CONTACTS ACC. TO TE SPEC. 108-25021 AND 114-25003
 - 4 CAVITY MARKING
 - 5 PACKAGING: 250 LOOSE PARTS PIECE IN CARDBOARD-BOX WITH PAPER CUSHION ON THE UPPER AND LOWER SIDE
 - 6 BURRS/FLASHES ALLOWED ON THE LATCH SURFACE AS FOLLOWS
 ZONE 1 - MAX 0.25mm
 ZONE 2 - MAX 1.75mm
 ZONE 3 - MAX 1.0mm
 ZONE 4 - MAX 0.5mm



-6 AS SHOWN



THIS DRAWING IS A CONTROLLED DOCUMENT.		DWN MOHAMMED THAJUDEEN 14 APR 2014	TE Connectivity	
DIMENSIONS: mm		CHK PRASHANTH S 14 APR 2014		
TOLERANCES UNLESS OTHERWISE SPECIFIED:		APVD JAYANTH KUMAR 14 APR 2014	NAME 6 POS. AMPMODU IV HOUSING	
0 PLC ±0.15	1 PLC ±0.15	PRODUCT SPEC -	SIZE A2	CAGE CODE -
2 PLC ±0.1	3 PLC ±	APPLICATION SPEC -	DRAWING NO C-1718288	RESTRICTED TO -
4 PLC ±	ANGLES ±°	WEIGHT -	SCALE 5:1	SHEET 1 OF 1
MATERIAL 1	FINISH 1	Customer Drawing	REV B1	

单击下面可查看定价，库存，交付和生命周期等信息

[>>TE Connectivity\(泰科\)](#)